

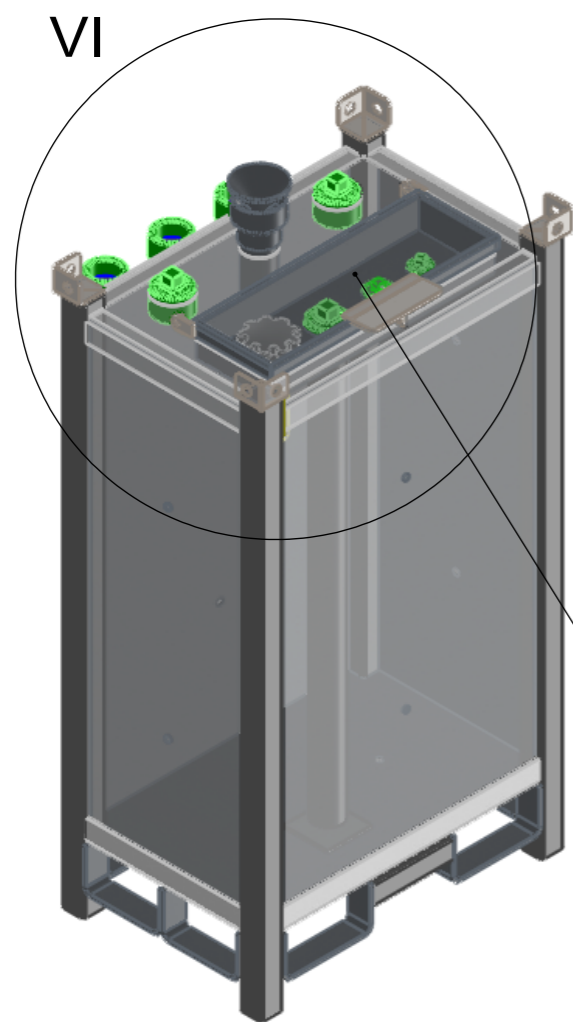
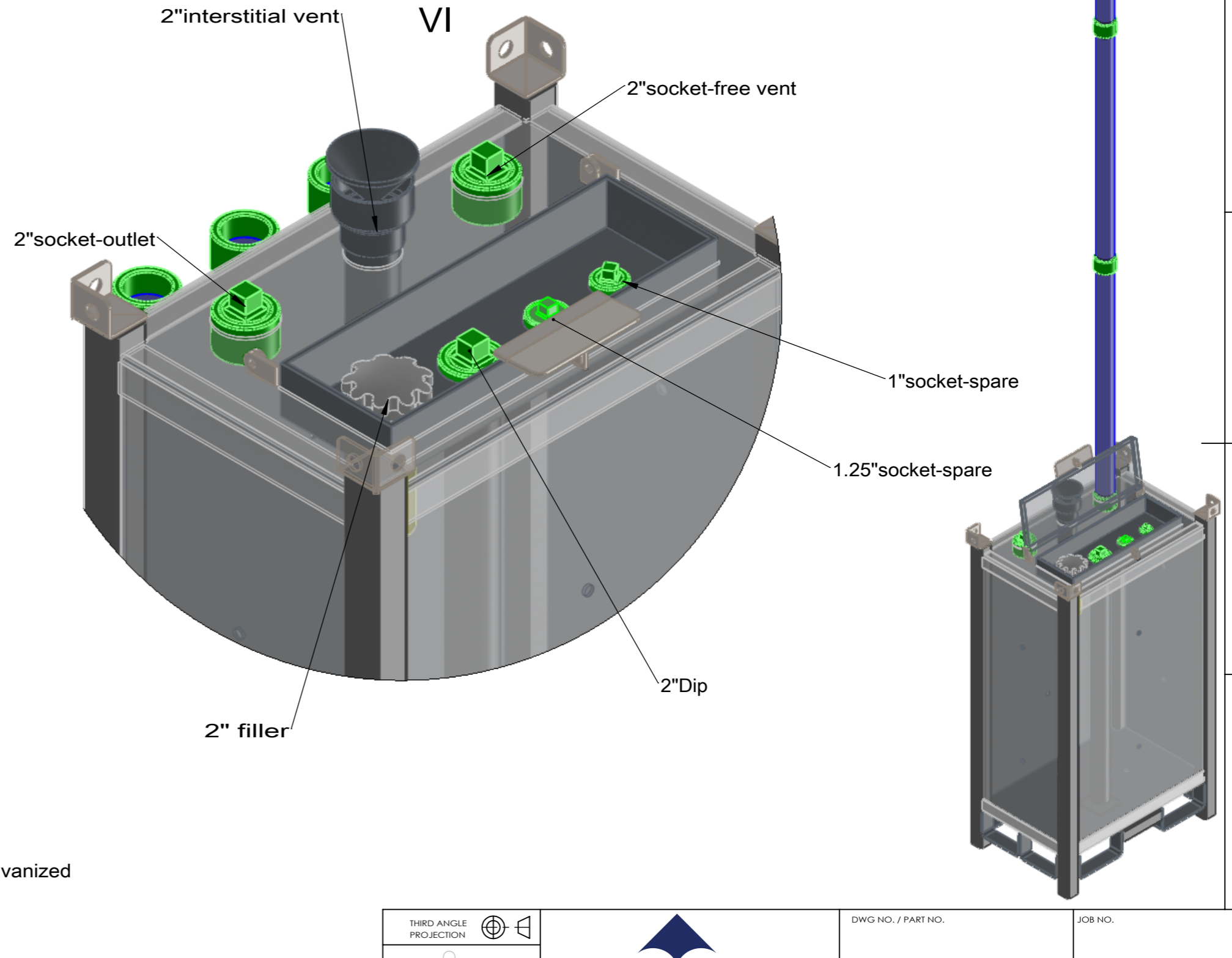
DO NOT SCALE FROM DRAWING. IF IN DOUBT: ASK

UNLESS OTHERWISE SPECIFIED, ALL DIMENSIONS ARE IN MILLIMETRES

BEWARE OF 100mm MEASURING ERROR

Tank

TANK CONTENTS	
DESIGNED TO	AS1940 / AS1692
BUILT TO	AS1657 / AS1554.1
PLATE THICKNESS, Material	4/4 mm, Q235B
Pressue Test	21KPA
External size	700x550x1248mm
Internal size	646x416x1008mm
GROSS VOLUME	250L
SAFE FILL LEVEL	240L
N. D. T.	Require By Client
TOTAL MASS	229.91KG

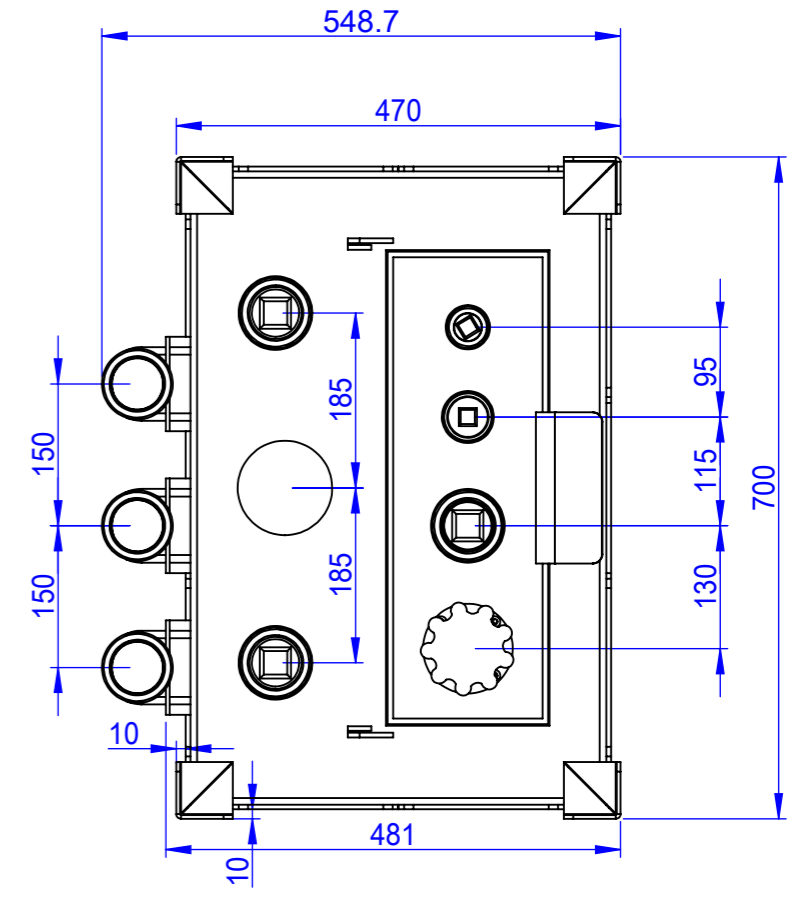
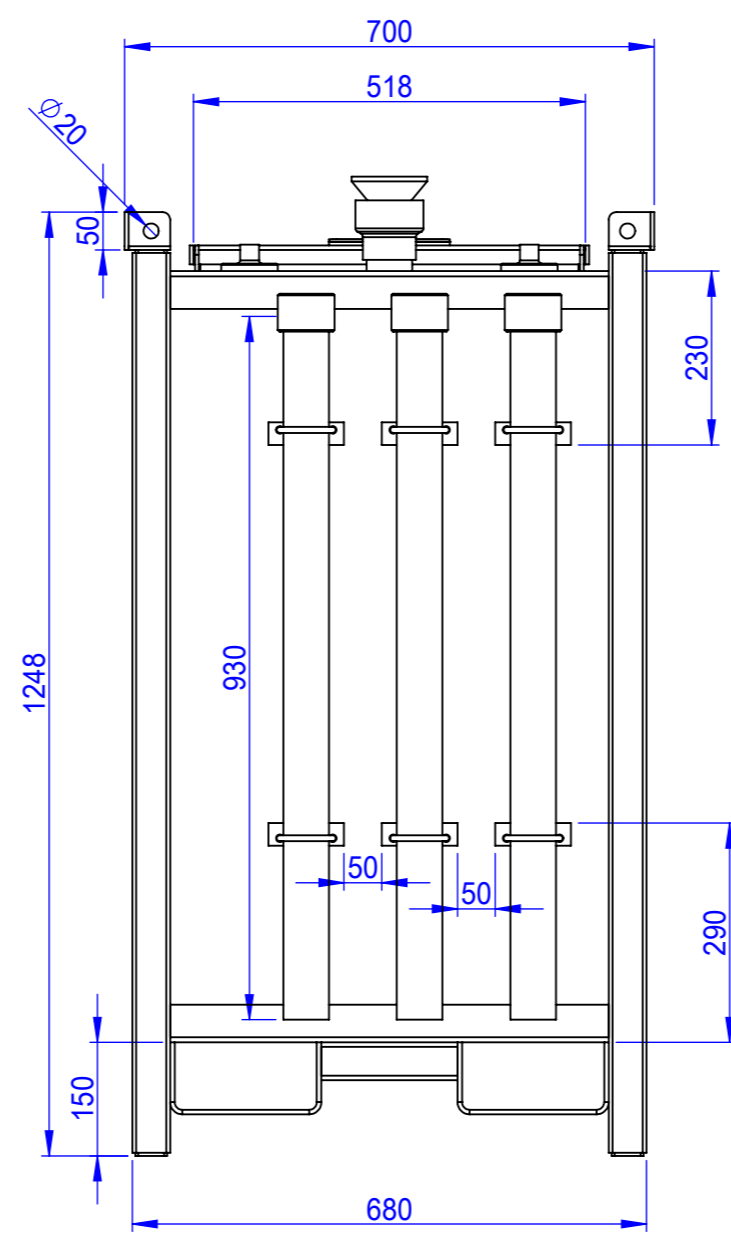
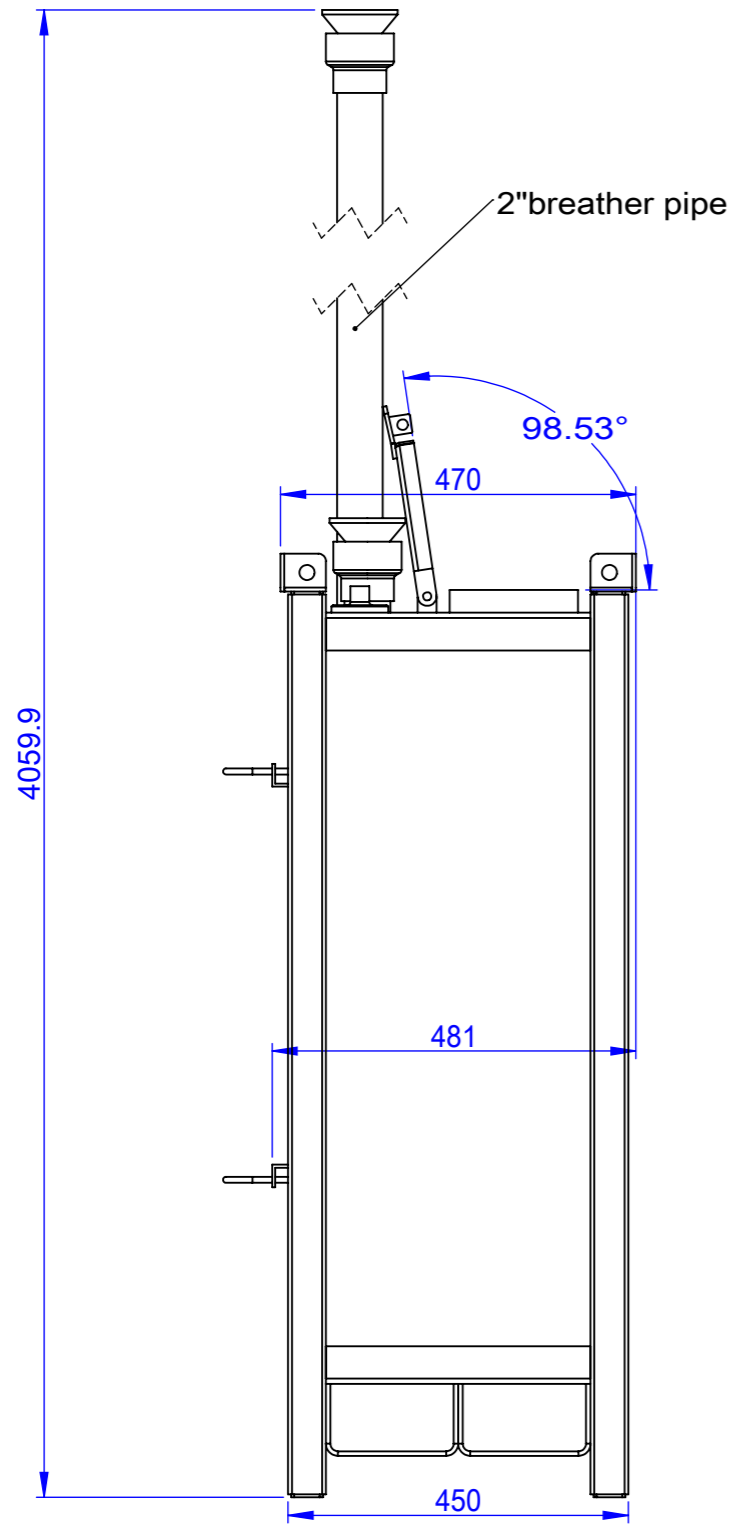



THIRD ANGLE PROJECTION			DWG NO. / PART NO.		JOB NO.	
DRAWN: 2023/2/20			CLIENT:			
TOLERANCE U.N.O. 0 = -1.0 0.0 = -0.4 0.00 = -0.1		MATERIAL:		TITLE: BOX 250L Self Bunded Tank		SHEET SIZE: A3
APPV'D		WEIGHT: 229.91 Kg		SCALE: N.T.S.		REVISION: 01
				SHEET 1 OF 5		

DO NOT SCALE FROM DRAWING. IF IN DOUBT: ASK

UNLESS OTHERWISE SPECIFIED, ALL DIMENSIONS ARE IN MILLIMETRES

BEWARE OF 100mm MEASURING ERROR

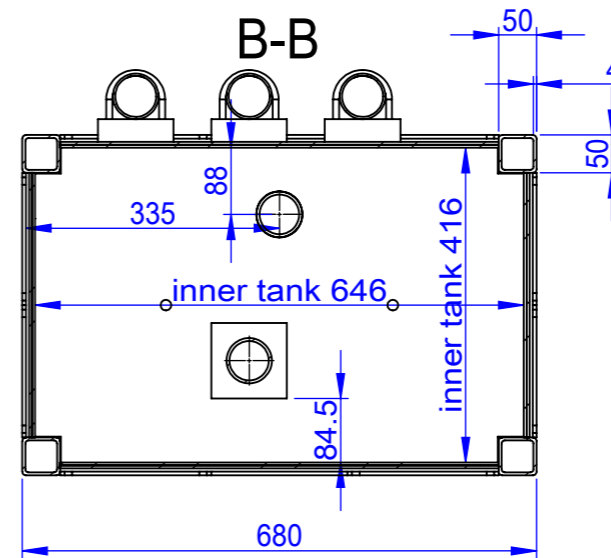
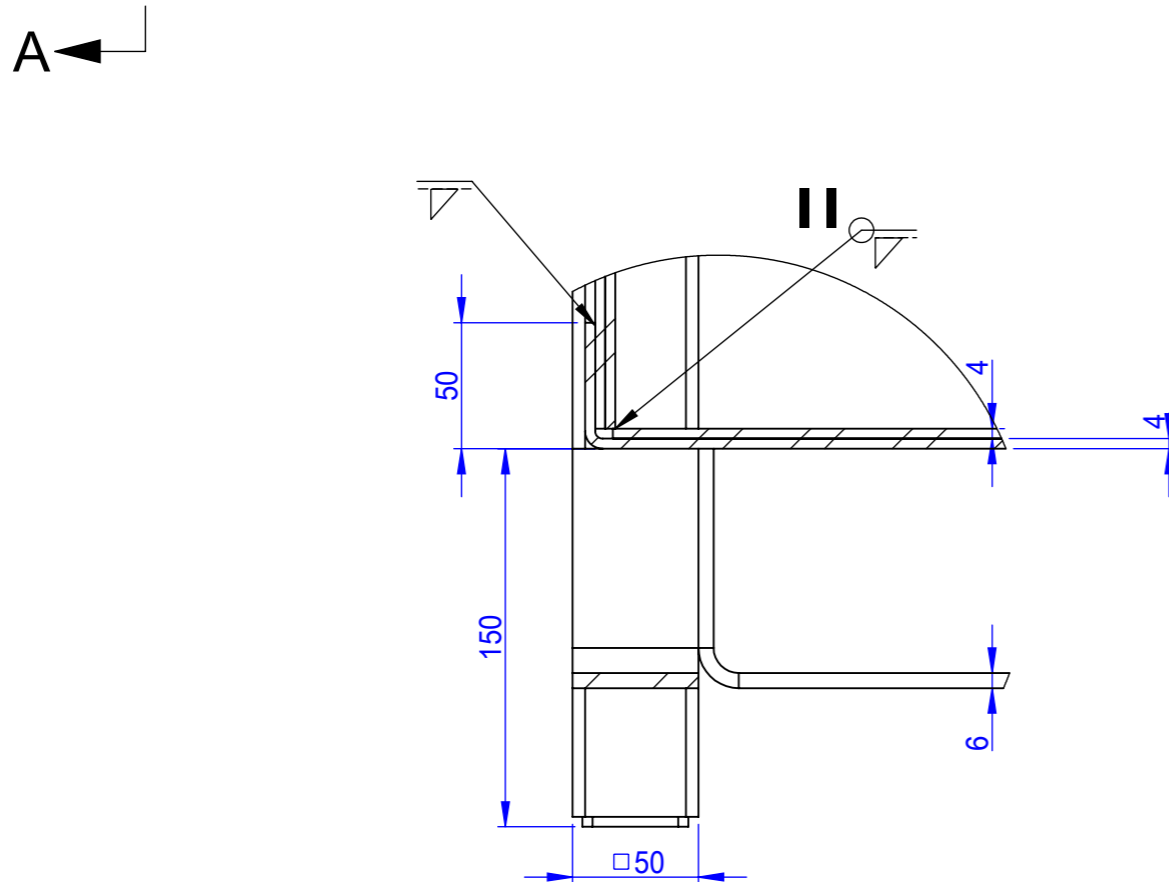
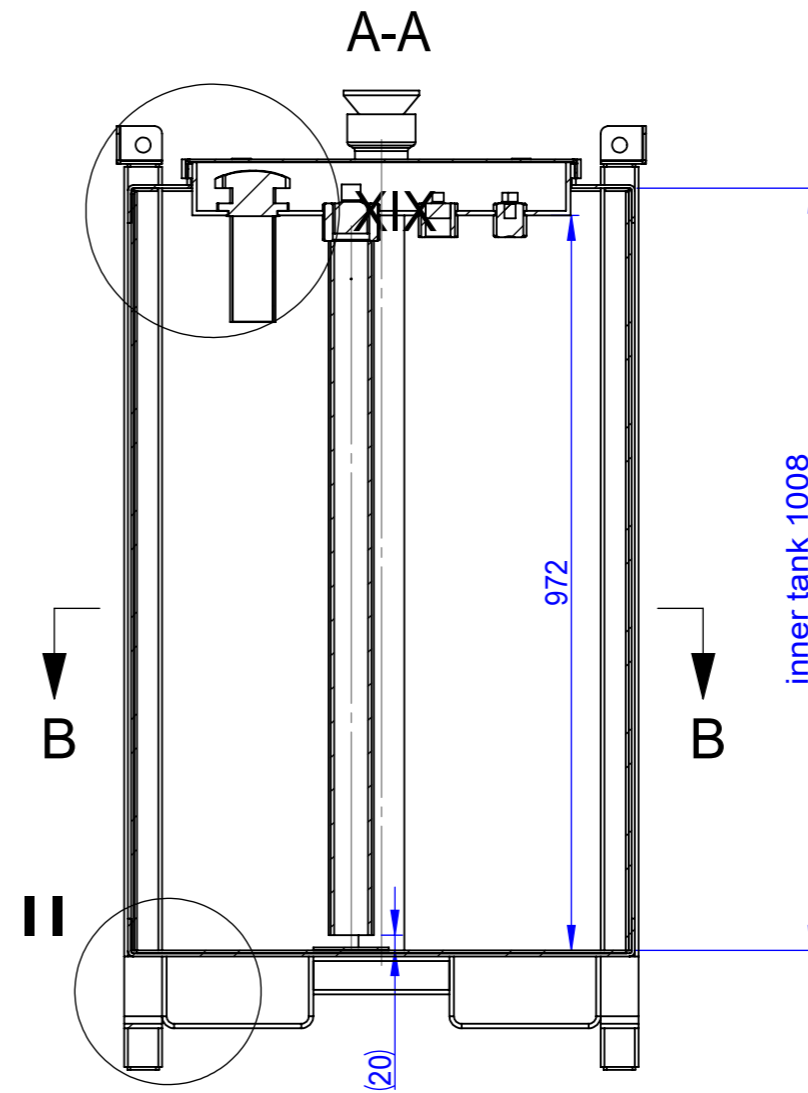
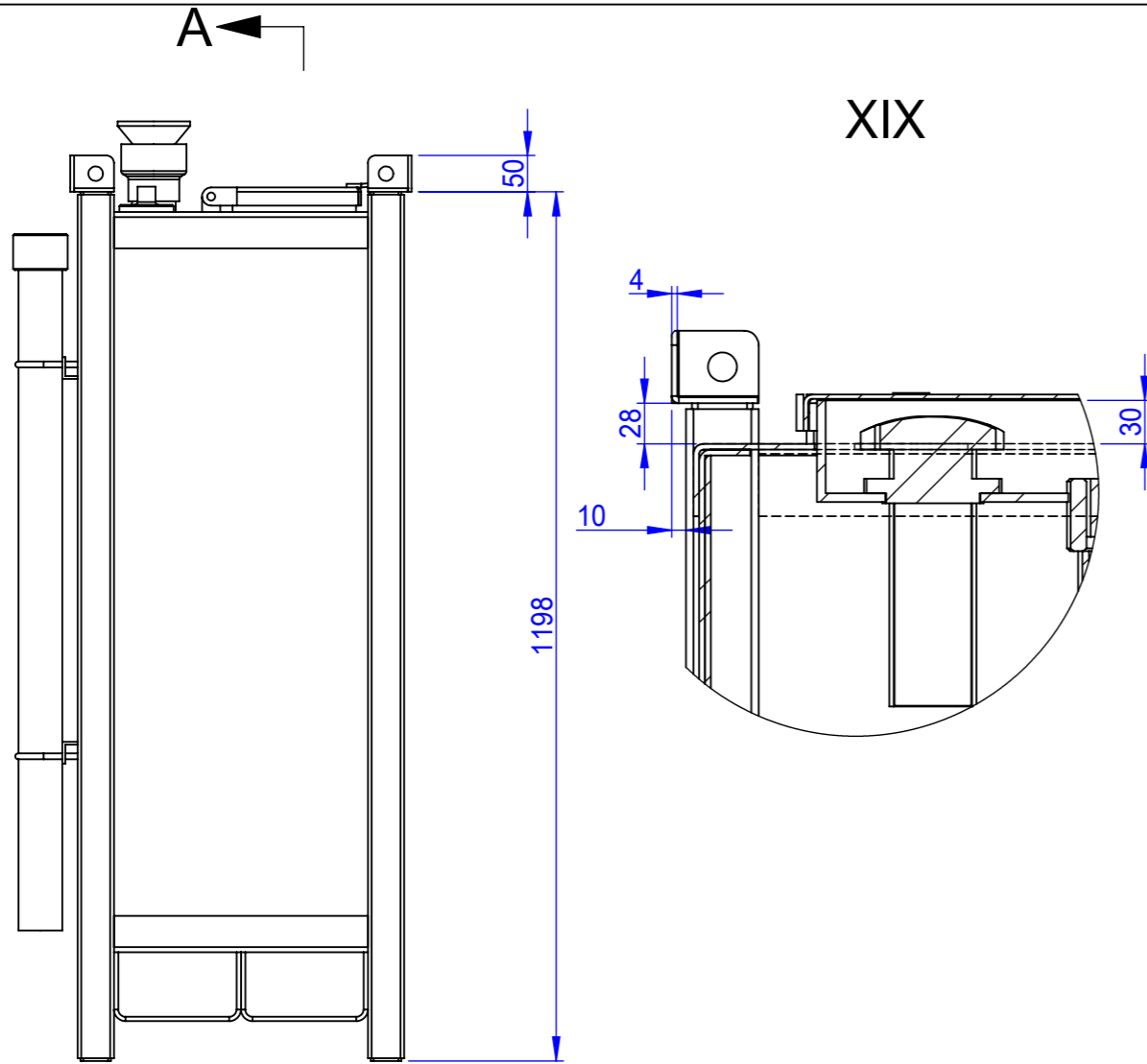


THIRD ANGLE PROJECTION				DWG NO. / PART NO.		JOB NO.	
				CLIENT:			
		TOLERANCE U.N.O.		MATERIAL:		TITLE:	
DRAWN		0 = -1.0		WEIGHT: 229.91 Kg		BOX 250L Self Bunded Tank	
CHK'D		0.0 = -0.4				SCALE: N.T.S.	
APPV'D		0.00 = -0.1				SHEET 2 OF 5	
						SHEET SIZE	
						A3	
						REVISION	
						01	

DO NOT SCALE FROM DRAWING. IF IN DOUBT: ASK

UNLESS OTHERWISE SPECIFIED, ALL DIMENSIONS ARE IN MILLIMETRES

BEWARE OF 100mm MEASURING ERROR



THIRD ANGLE PROJECTION

	NAME	DATE
DRAWN		2023/2/20
CHK'D		
APPV'D		

TOLERANCE U.N.O.  
 0 = -1.0  
 0.0 = -0.4  
 0.00 = -0.1

MATERIAL:  
 WEIGHT: 229.91 Kg

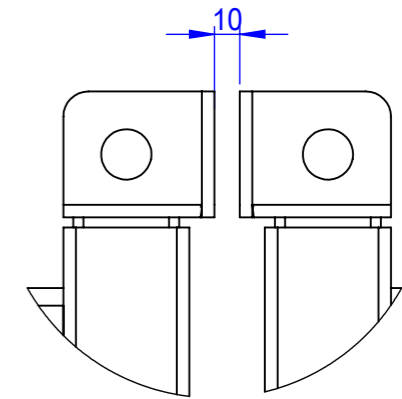
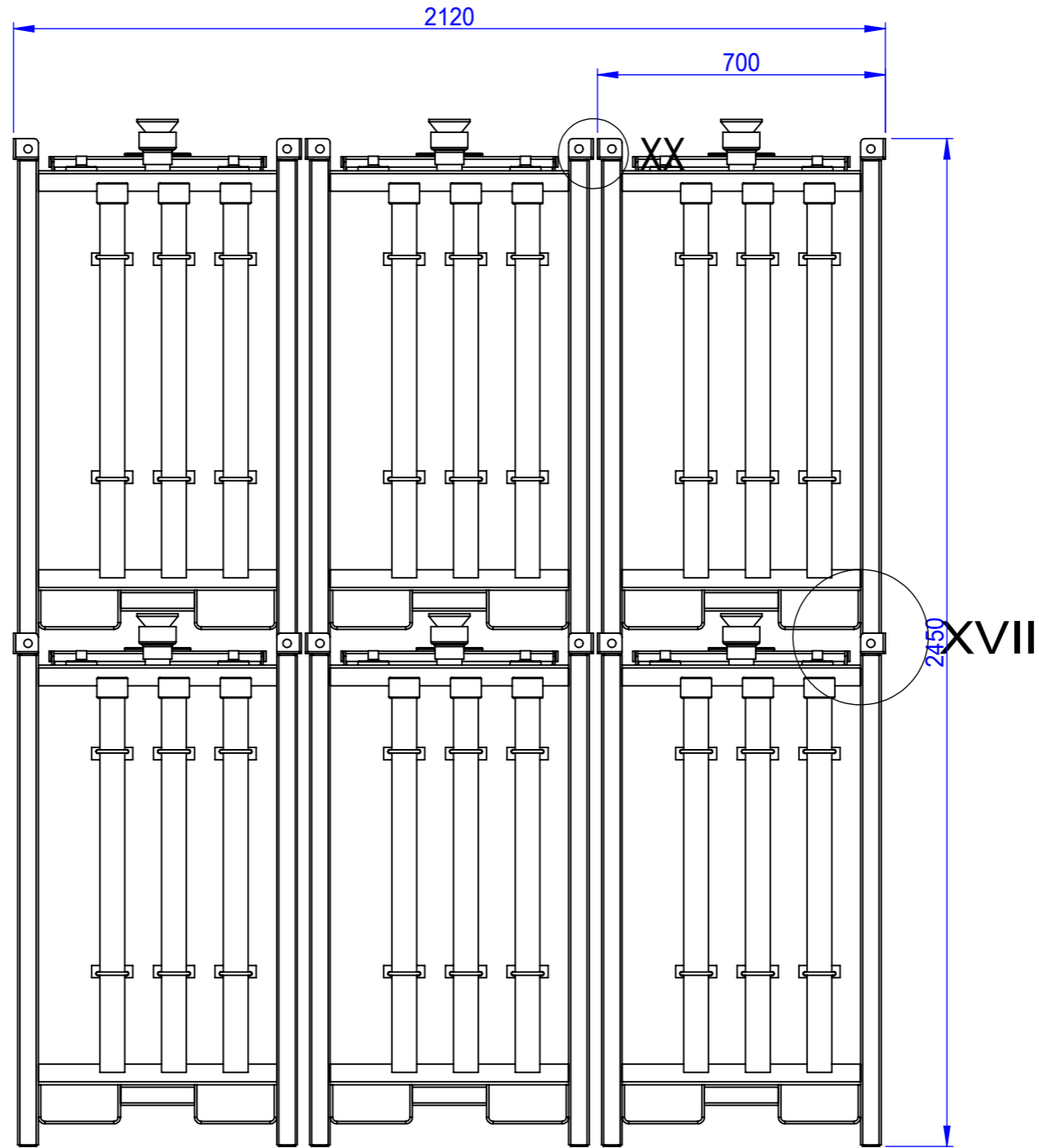
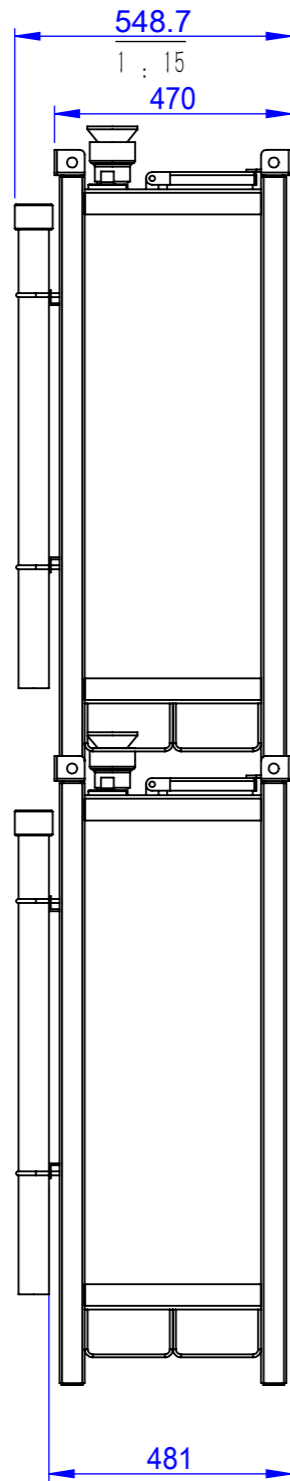


DWG NO. / PART NO.		JOB NO.	
CLIENT:			
TITLE: <b>BOX 250L Self Bunded Tank</b>			SHEET SIZE <b>A3</b>
SCALE: N.T.S.		SHEET 3 OF 5	
			REVISION <b>01</b>

DO NOT SCALE FROM DRAWING. IF IN DOUBT: ASK

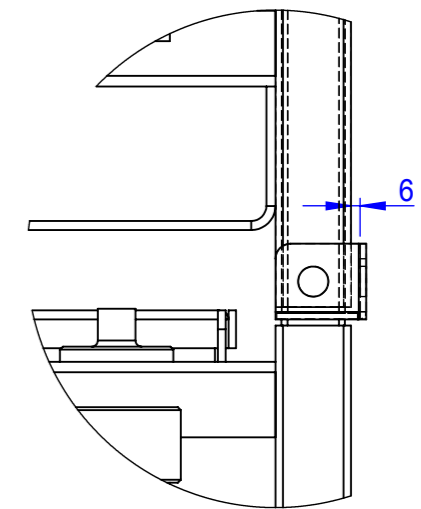
UNLESS OTHERWISE SPECIFIED, ALL DIMENSIONS ARE IN MILLIMETRES

BEWARE OF 100mm MEASURING ERROR



XX

XVIII



THIRD ANGLE PROJECTION		
DRAWN	2023/2/20	
CHK'D		
APPV'D		



TOLERANCE U.N.O.  
0 = -1.0  
0.0 = -0.4  
0.00 = -0.1

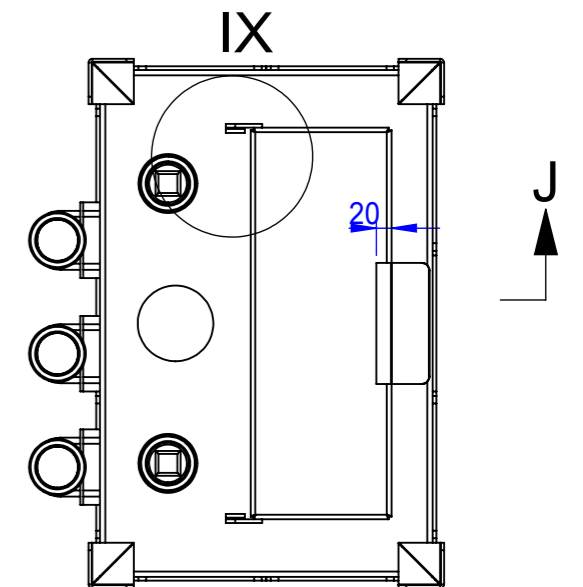
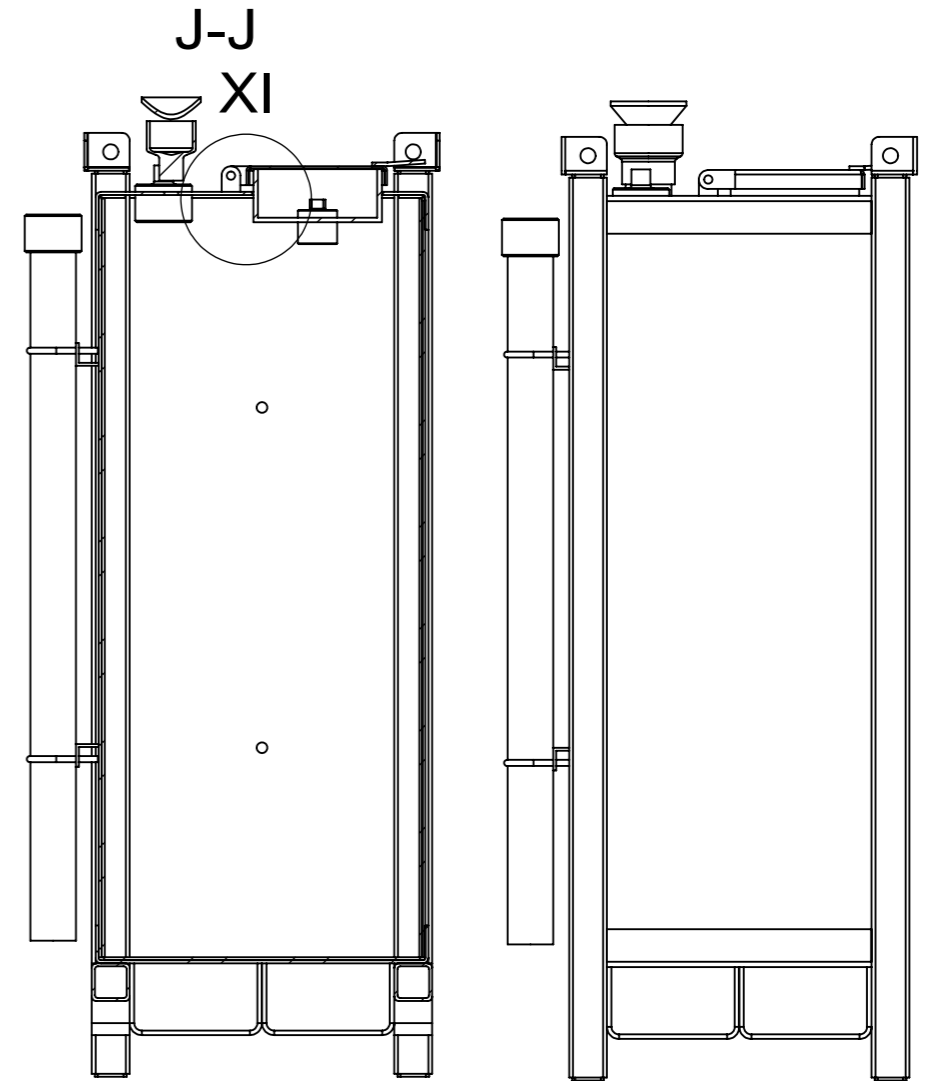
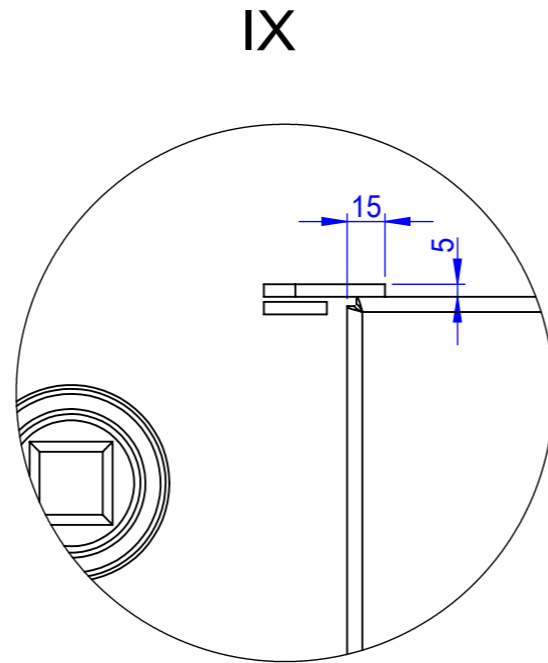
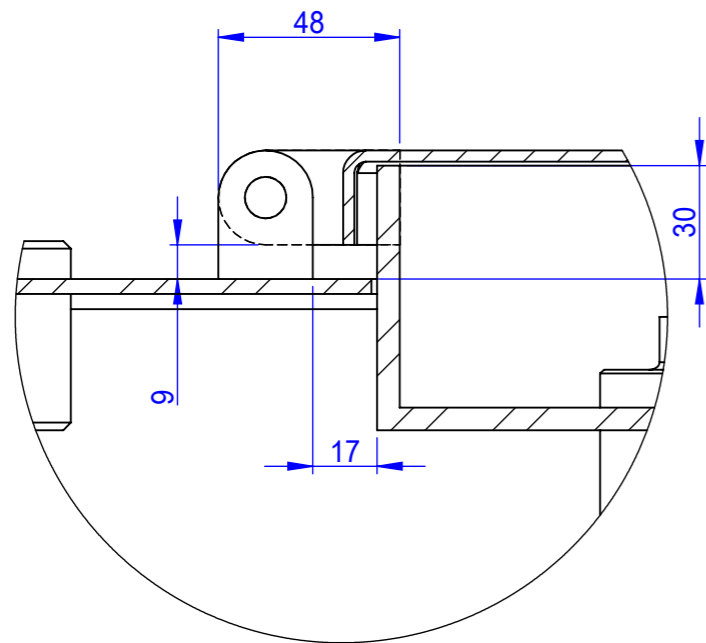
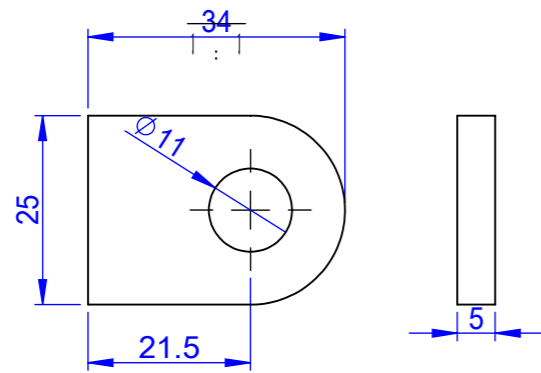
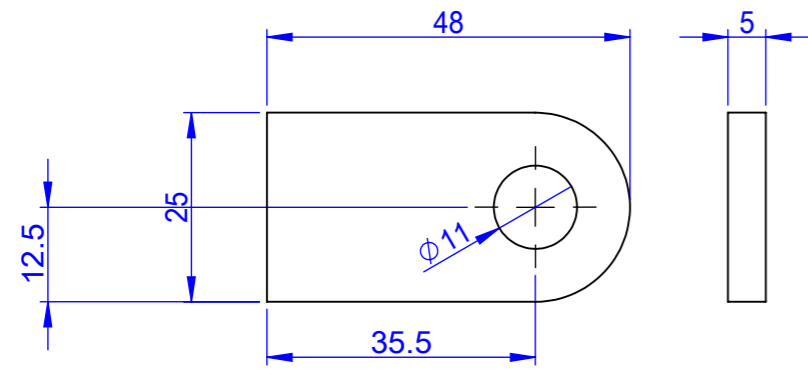
MATERIAL:  
WEIGHT: 1379.447 Kg

DWG NO. / PART NO.		JOB NO.	
CLIENT:			
TITLE: <b>BOX 250L Self Bunded Tank</b>			SHEET SIZE <b>A3</b>
SCALE: N.T.S.		SHEET 4 OF 5	
REVISION			

DO NOT SCALE FROM DRAWING. IF IN DOUBT: ASK

UNLESS OTHERWISE SPECIFIED, ALL DIMENSIONS ARE IN MILLIMETRES

BEWARE OF 100mm MEASURING ERROR



XI

THIRD ANGLE PROJECTION	
DRAWN	2023/2/20
CHK'D	
APPV'D	



TOLERANCE U.N.O.  
 0 = -1.0  
 0.0 = -0.4  
 0.00 = -0.1

MATERIAL:  
 Q235  
 WEIGHT: 0.04 Kg

DWG NO. / PART NO.		JOB NO.	
CLIENT:			
TITLE:		SHEET SIZE	
BOX 250L Self Bunded Tank		A3	
SCALE: N.T.S.		REVISION	
SHEET 5 OF 5		01	