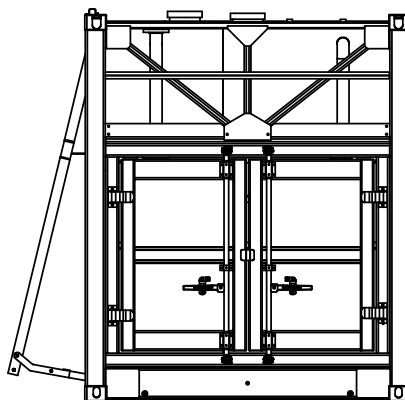
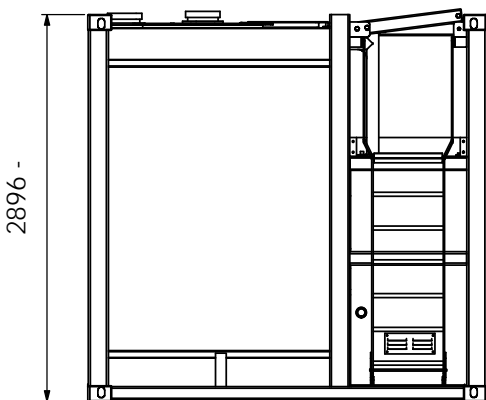
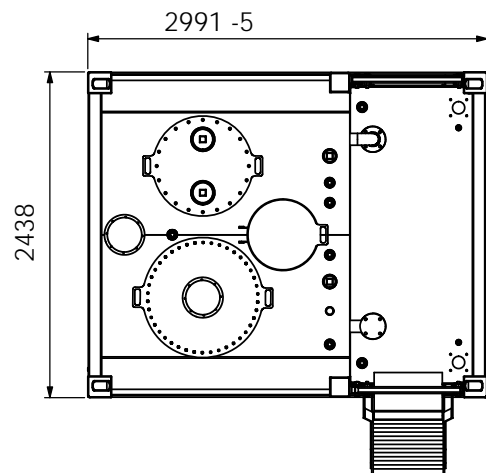


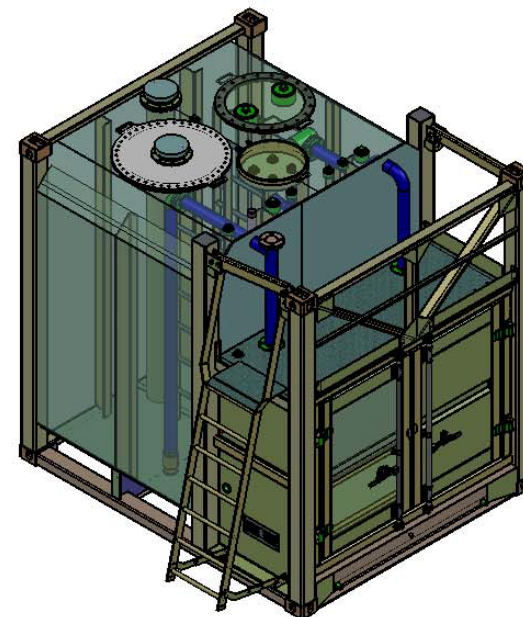
DO NOT SCALE FROM DRAWING. IF IN DOUBT: ASK

UNLESS OTHERWISE SPECIFIED, ALL DIMENSIONS ARE IN MILLIMETRES

BEWARE OF 100mm MEASURING ERROR



TANK DATA	
TANK CONTENTS:	Combustible and Flammable
DESIGNED TO:	UL142,ULC S601, ASI940-2017, ASI692
BUILT TO:	UL142,ULC S601, ASI940-2017, ASI692
PLATE THICKNESS:	6mm Primary / 6mm Secondary
GROSS VOLUME:	12,000L
HYD.TEST PRESSURE:	Gross level+150mm
SAFE FILL LEVEL:	11,400L
N.D.T.	Air Pressure Test
TOTAL MASS:	4,950KG



THIRD ANGLE PROJECTION			DWG NO. / PART NO.	JOB NO.
				<b>CON-12</b>
			CLIENT: <b>GO 12,000L Self Bunded Tank</b>	
			TITLE:	SHEET SIZE <b>A3</b>
NAME	DATE	TOLERANCE U.N.O.	SCALE: N.T.S.	SHEET 1 OF 1
DRAWN	2016/8/29	0 = -1.0 0.0 = -0.4 0.00 = -0.1		REVISION <b>01</b>
CHK'D				
APP'VD		WEIGHT: 4943.94 Kg		