

NO.	Changes	File	SIGN	DATE
Design		2014/6/25	Number	
CHK' D			Scale	
CHK' D				
APPV' D				



Project :
CON-69 Self Bunded Tank

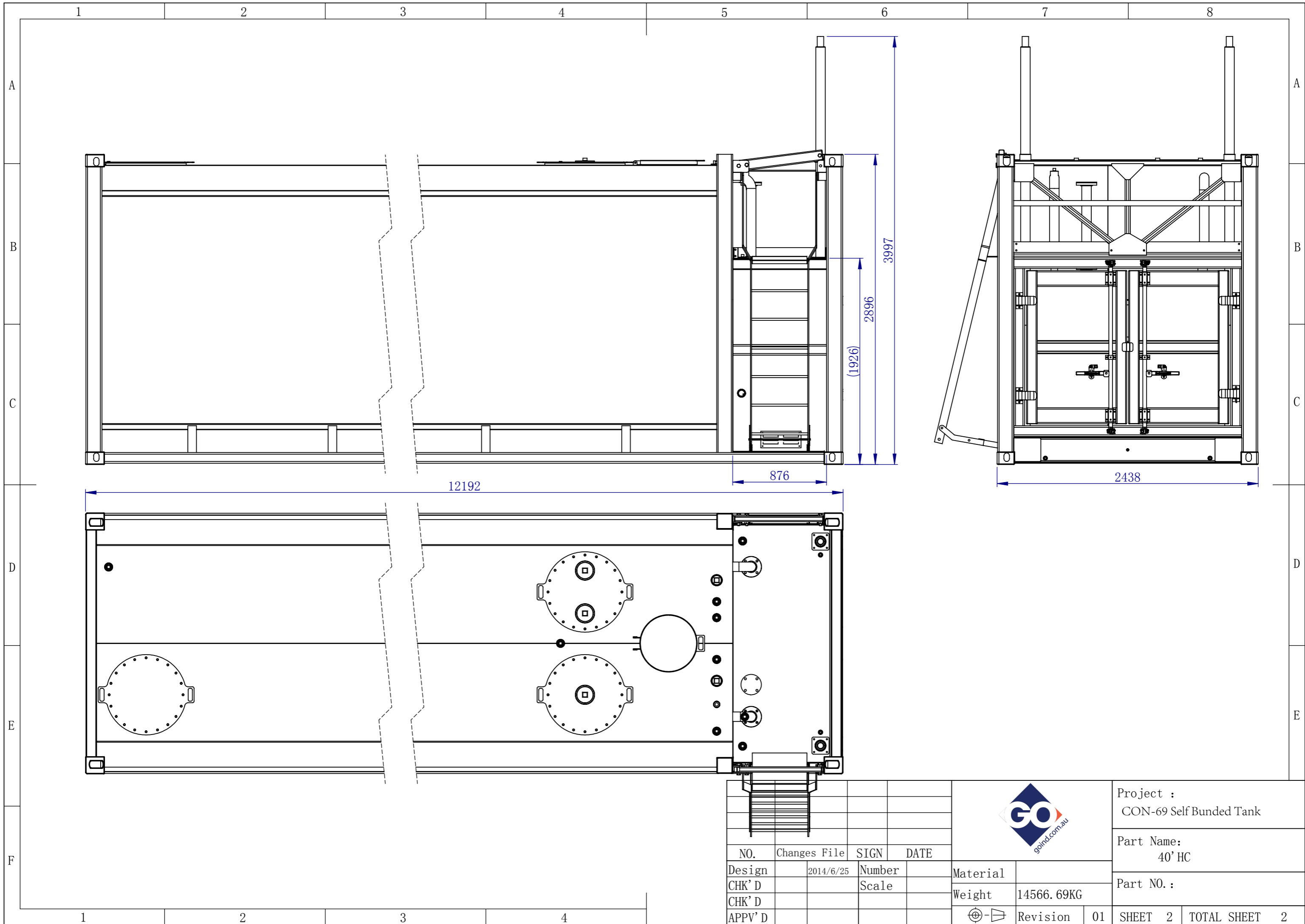
Part Name:
40' HC

Part NO. :

Material
Weight 14566.69KG

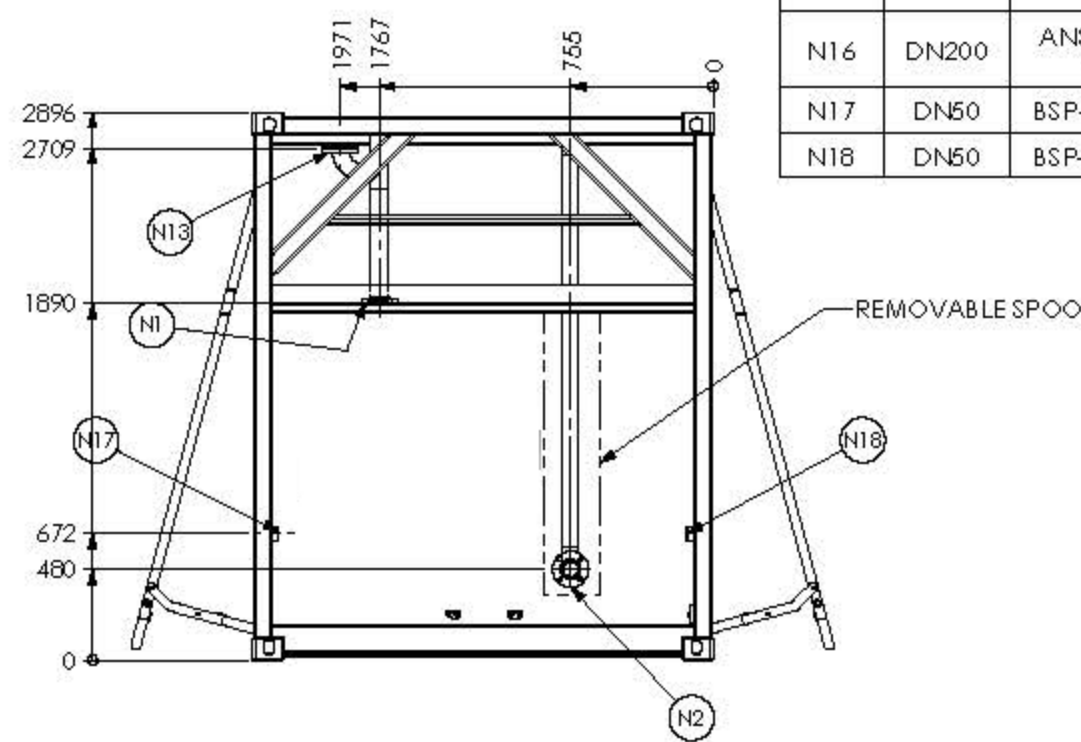
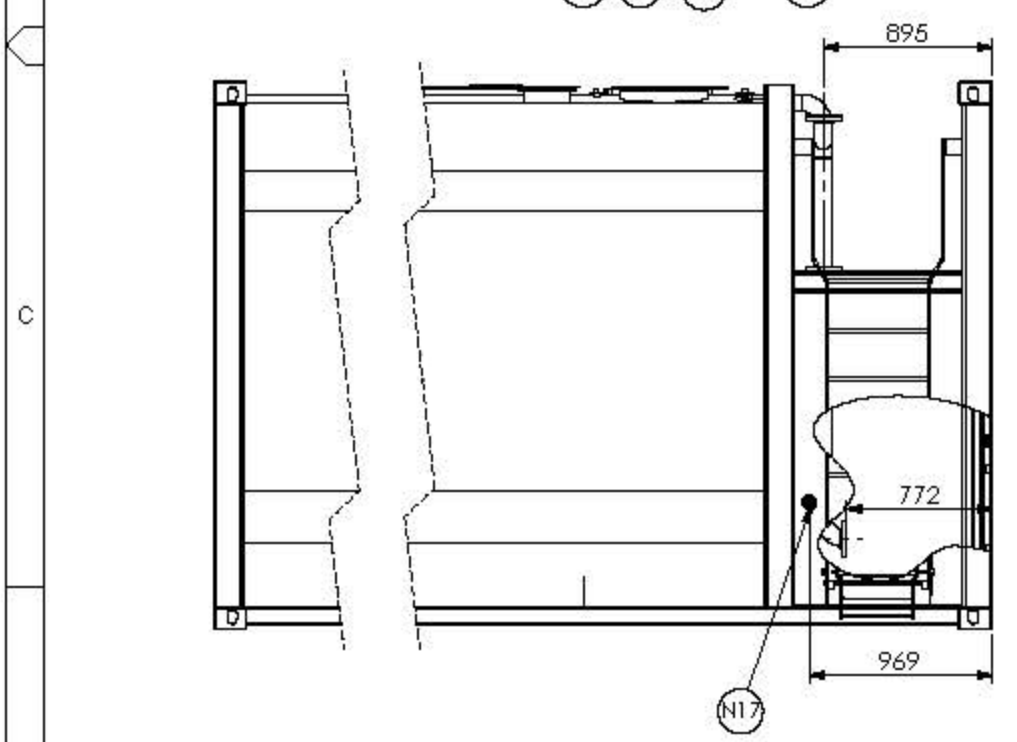
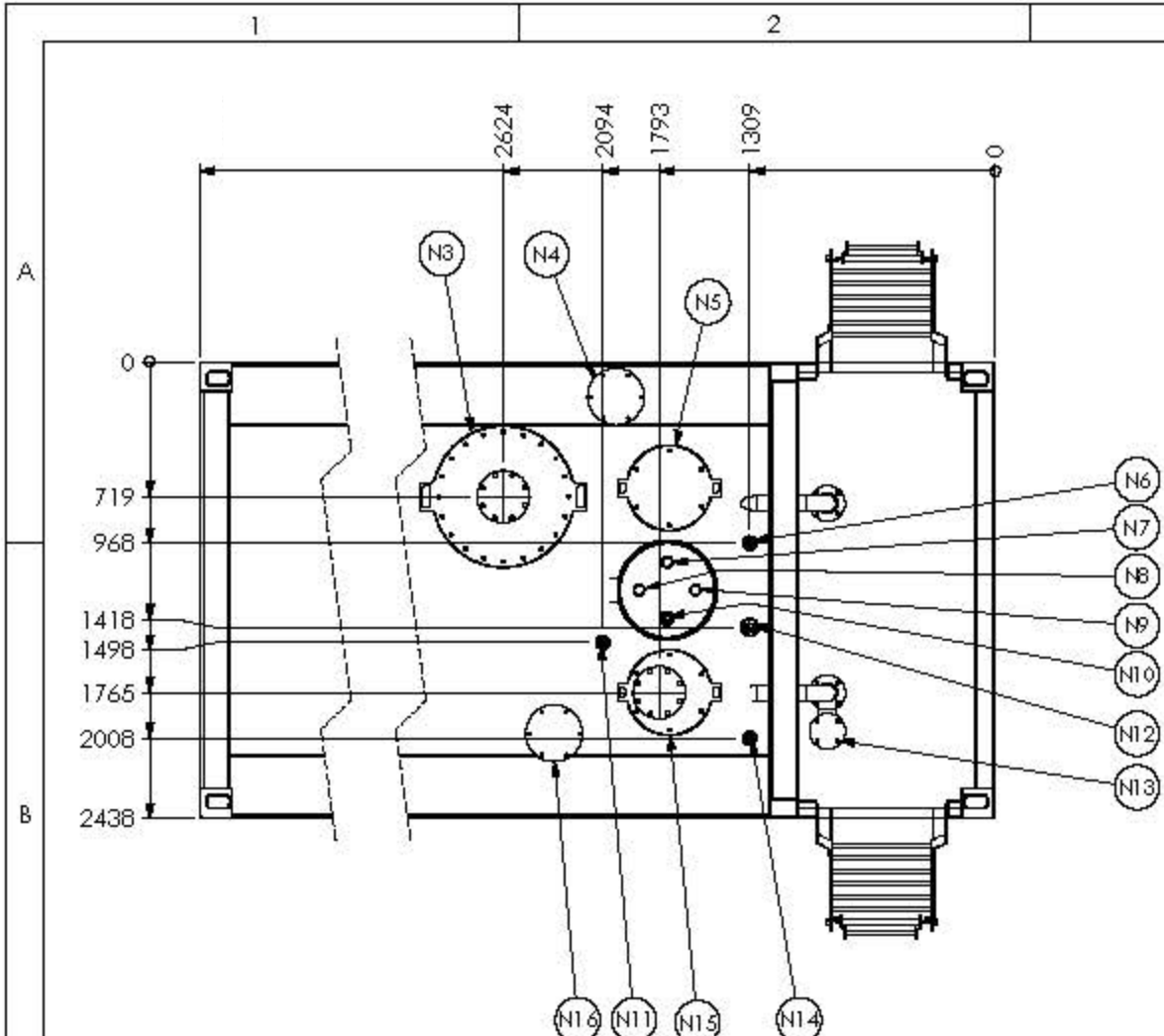
Revision 01

SHEET 1 TOTAL SHEET 2



				Project :		
				CON-69 Self Bunded Tank		
				Part Name:		
				40' HC		
				Part NO. :		
NO.	Changes	File	SIGN	DATE	Material	
Design		2014/6/25	Number		Weight	14566.69KG
CHK' D			Scale			
CHK' D						
APPV' D						
				Revision	01	SHEET 2 TOTAL SHEET 2

DO NOT SCALE - IF IN DOUBT ASK

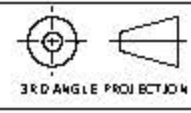


NOZZLE NO.	SIZE	CONNECTION TYPE	DESCRIPTION
N1	DN80	ANSI CLASS 150 FLANGE	SUCTION C/W DN80 PIPE 110mm FROM FLOOR & ANTI-SYPHON VALVE
N2	DN80	ANSI CLASS 150 FLANGE	FILL PIPE C/W DN80 PIPE W/ ELBOW 44mm FROM FLOOR & OVERFILL PROTECTION VALVE AND SPOOL
N3	600	MANWAY	600mm MANWAY C/W DN150 ANSI CLASS 150 FLANGE FOR SUB PUMP
N4	DN200	ANSI CLASS 150 FLANGE	INTERSTITIAL SPACE EMERGENCY VENT
N5	350	HATCH	350mm INSPECTION HATCH
N6	DN50	BSP-F x 50 LONG	OVERFILL WARNING ALARM
N7	DN50	BSP-M x 35 LONG	PRIMARY TANK DIP C/W DN50 PIPE 25mm HIGH OPENING FROM DIP STRIKE
N8	DN50	BSP-M x 35 LONG	INTERSTITIAL SPACE DIP C/W DN50 PIPE THROUGH INTERNAL FLOOR
N9	DN50	BSP-M x 35 LONG	SUCTION SPEAR, DN50 PIPE 3mm FROM MAIN FLOOR INTO DISHED SUMP C/W THREADED CAP
N10	DN50	BSP-F x 50 LONG	SPARE
N11	DN50	BSP-F x 50 LONG	SPARE / GAUGE / VENT
N12	DN80	BSP-F x 75 LONG	SPARE / GAUGE / VENT
N13	DN80	ANSI CLASS 150 FLANGE	SUCTION PRIMING PORT / SUBMERSIBLE PUMP CONNECTION
N14	DN50	BSP-F x 50 LONG	SPARE / GAUGE
N15	350	HATCH	350mm INSPECTION HATCH C/W DN150 ANSI CLASS 150 FLANGE FOR SUB PUMP
N16	DN200	ANSI CLASS 150 FLANGE	PRIMARY TANK EMERGENCY VENT
N17	DN50	BSP-F x 50 LONG	SPARE (INTO PUMP BAY) / EXTERNAL ELECTRICALS
N18	DN50	BSP-F x 50 LONG	SPARE (INTO PUMP BAY) / EXTERNAL ELECTRICALS

BSP-F: BSP FEMALE THREAD
BSP-M: BSP MALE THREAD

Rev. No.	ZONE	Revision	Date	By	Checked
C	-	INFORMATION	02.11.15	ND	
B	-	INFORMATION	23.10.15	ND	
A	-	ISSUED FOR REVIEW	20.10.15	GS	

DO NOT SCALE
DIMENSIONS ARE IN MILLIMETRES
UNLESS OTHERWISE NOTED



Client:	Drawn: KG	Checked:
Title:	Date: 26.10.15	Approved:
Drawing number:		
Sheet No: 2 of 2		
Scale: NTS	Rev: C	A3