

Contractor King Displacement Pumps

3A9122A

EN

Pump lower for use with Contractor King sprayers only. For professional use only.

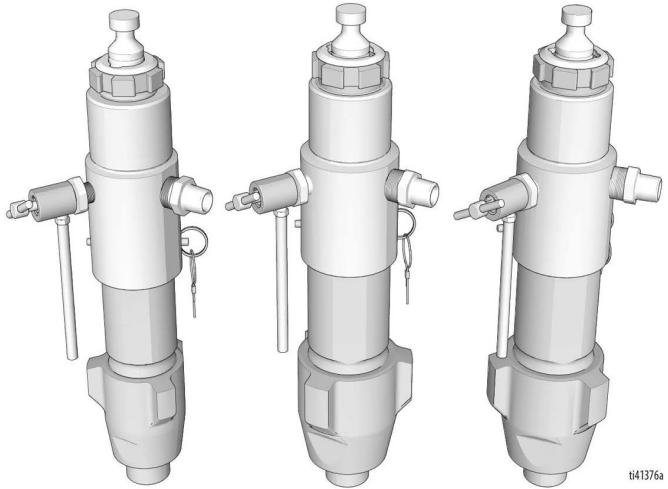
Models: 19D951, 19D952, 19D954

See page 2 for model information, including maximum working pressure.



Important Safety Instructions

Read all warnings and instructions in this manual and all related manuals before using the equipment. Save these instructions.



ti41376a

Related Manuals

Manual in English	Description
3A9121	Contractor King Spray Packages and Pumps
311254	Silver Gun and Silver HP Gun
333507	Hopper Kit
3A9126	Zinc Circulation Kit
3A9127	Air Filter Lubrication, Air Regulation Kits
3A9129	Lift Ring Kit
3A9128	Paint Filter Kit
3A9161	Contractor King Sprayer Heater Mounting Kit
3A2954	Viscon HF Heaters
309524	Viscon HP Heaters

Contents

Warnings	3
Trigger Lock	4
Pressure Relief Procedure	4
Disassemble Pump	6
Assemble Pump	8
Throat Packing Adjustment	11
Parts Diagram 19D951	12
Parts List 19D951	13
Parts Diagram 19D952	14
Parts List 19D952	15
Parts Diagram 19D954	16
Parts List 19D954	17
Repair Kits	18
Technical Specifications	22
California Proposition 65	22
Graco Standard Warranty	23

Models










Part	Maximum Working Pressure	Description	Pump
19D951	7250 psi (50 Mpa, 500 bar)	70:1	180 cc
19D952	6000 psi (41.3 Mpa, 413bar)	60:1	220 cc
19D954	4500 psi (31 Mpa, 310 bar)	45:1	290 cc

Related Manuals

Manual in English	Description
3A9121	Contractor King Spray Packages and Pumps

Warnings

The following warnings are for the setup, use, grounding, maintenance, and repair of this equipment. The exclamation point symbol alerts you to a general warning and the hazard symbols refer to procedure-specific risks. When these symbols appear in the body of this manual or on warning labels, refer back to these Warnings. Product-specific hazard symbols and warnings not covered in this section may appear throughout the body of this manual where applicable.

 WARNING	
   	<p>FIRE AND EXPLOSION HAZARD</p> <p>Flammable fumes, such as solvent and paint fumes, in work area can ignite or explode. Paint or solvent flowing through the equipment can cause static sparking. To help prevent fire and explosion:</p> <ul style="list-style-type: none"> • Use equipment only in well-ventilated area. • Eliminate all ignition sources, such as pilot lights, cigarettes, portable electric lamps, and plastic drop cloths (potential static sparking). • Ground all equipment in the work area. See Grounding instructions. • Never spray or flush solvent at high pressure. • Keep work area free of debris, including solvent, rags and gasoline. • Do not plug or unplug power cords, or turn power or light switches on or off when flammable fumes are present. • Use only grounded hoses. • Hold gun firmly to side of grounded pail when triggering into pail. Do not use pail liners unless they are anti-static or conductive. • Stop operation immediately if static sparking occurs or you feel a shock. Do not use equipment until you identify and correct the problem. • Keep a working fire extinguisher in the work area.
   	<p>SKIN INJECTION HAZARD</p> <p>High-pressure fluid from gun, hose leaks, or ruptured components will pierce skin. This may look like just a cut, but it is a serious injury that can result in amputation. Get immediate surgical treatment.</p> <ul style="list-style-type: none"> • Do not spray without tip guard and trigger guard installed. • Engage trigger lock when not spraying. • Do not point gun at anyone or at any part of the body. • Do not put your hand over the spray tip. • Do not stop or deflect leaks with your hand, body, glove, or rag. • Follow the Pressure Relief Procedure when you stop spraying and before cleaning, checking, or servicing equipment. • Tighten all fluid connections before operating the equipment. • Check hoses and couplings daily. Replace worn or damaged parts immediately.

Warnings

WARNING



MOVING PARTS HAZARD

Moving parts can pinch, cut or amputate fingers and other body parts.

- Keep clear of moving parts.
- Do not operate equipment with protective guards or covers removed.
- Equipment can start without warning. Before checking, moving, or servicing equipment, follow the **Pressure Relief Procedure** and disconnect all power sources.



EQUIPMENT MISUSE HAZARD

Misuse can cause death or serious injury.

- Do not operate the unit when fatigued or under the influence of drugs or alcohol.
- Do not exceed the maximum working pressure or temperature rating of the lowest rated system component. See Technical Specifications in all equipment manuals.
- Use fluids and solvents that are compatible with equipment wetted parts. See Technical Specifications in all equipment manuals. Read fluid and solvent manufacturer's warnings. For complete information about your material, request Safety Data Sheets (SDSs) from distributor or retailer.
- Do not leave the work area while equipment is energized or under pressure.
- Turn off all equipment and follow the Pressure Relief Procedure when equipment is not in use.
- Check equipment daily. Repair or replace worn or damaged parts immediately with genuine manufacturer's replacement parts only.
- Do not alter or modify equipment. Alterations or modifications may void agency approvals and create safety hazards.
- Make sure all equipment is rated and approved for the environment in which you are using it.
- Use equipment only for its intended purpose. Call your distributor for information.
- Route hoses and cables away from traffic areas, sharp edges, moving parts, and hot surfaces.
- Do not kink or over bend hoses or use hoses to pull equipment.
- Keep children and animals away from work area.
- Comply with all applicable safety regulations.



TOXIC FLUID OR FUMES HAZARD

Toxic fluids or fumes can cause serious injury or death if splashed in the eyes or on skin, inhaled, or swallowed.

- Read Safety Data Sheets (SDSs) to know the specific hazards of the fluids you are using.
- Store hazardous fluid in approved containers, and dispose of it according to applicable guidelines.



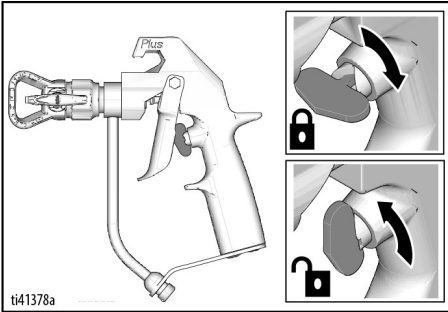
PERSONAL PROTECTIVE EQUIPMENT

Wear appropriate protective equipment when in the work area to help prevent serious injury, including eye injury, hearing loss, inhalation of toxic fumes, and burns. This protective equipment includes but is not limited to:

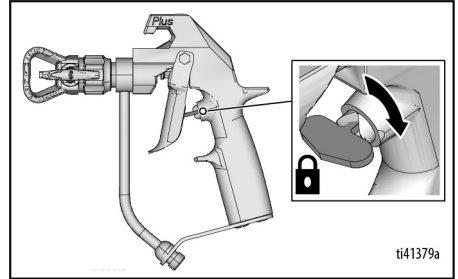
- Protective eye wear, and hearing protection.
- Respirators, protective clothing, and gloves as recommended by the fluid and solvent manufacturer.

Trigger Lock

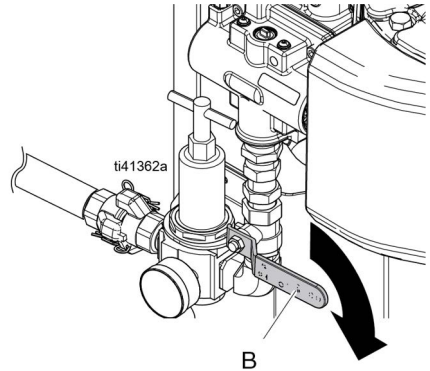
Always engage the trigger lock when sprayer is stopped to prevent the gun from being triggered accidentally by hand or if dropped or bumped.



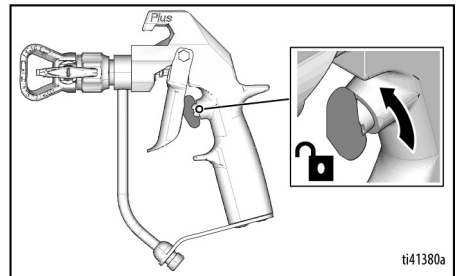
1. Engage trigger lock.



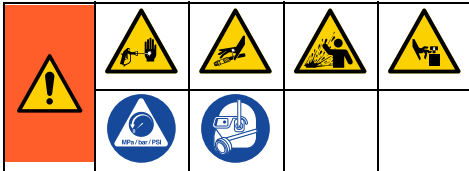
2. Close bleed type master air valve.



3. Disengage gun trigger lock.



Pressure Relief Procedure

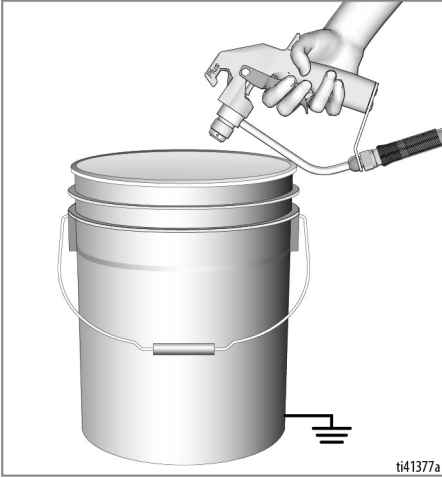


This equipment stays pressurized until pressure is manually relieved. To help prevent serious injury from pressurized fluid, such as skin injection, splashed fluid and moving parts, follow the **Pressure Relief Procedure** whenever sprayer is stopped and before sprayer is cleaned or checked, and before equipment is serviced.

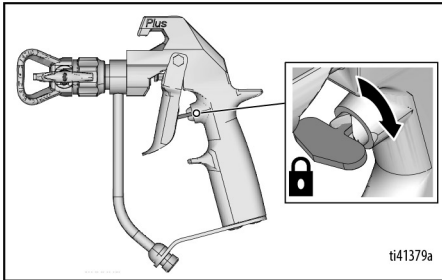
Pressure Relief Procedure

4. Hold a metal part of the gun firmly against a grounded metal pail. Trigger the gun until pressure is relieved.

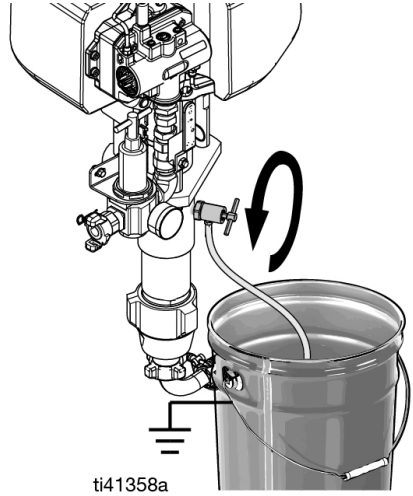
NOTE: If fluid does not flow from gun, see the **Clearing a Clogged Tip** section of your sprayer manual. .



5. Engage trigger lock.



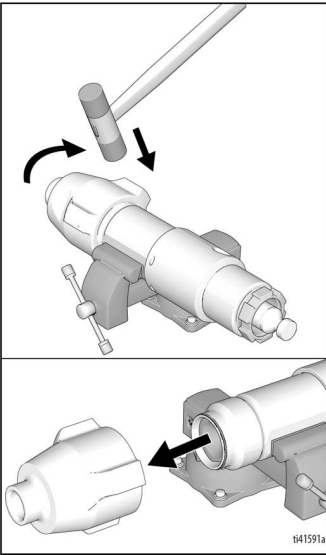
6. Drain fluid. To drain fluid, slowly open all fluid drain valves, including fluid drain/purge valve in system into a waste pail. If there is a return tube, open return line ball valve. Close valve after fluid is drained.



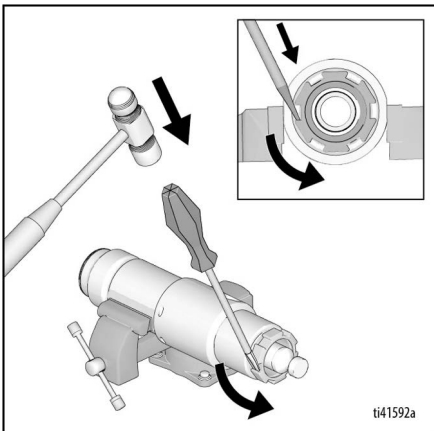
7. If you suspect the spray tip or hose is clogged, or that pressure has not been fully relieved:
 - a. **VERY SLOWLY** loosen tip guard retaining nut or hose end coupling to relieve pressure gradually.
 - b. Loosen nut or coupling completely.
 - c. Clear hose or tip obstruction.

Disassemble Pump

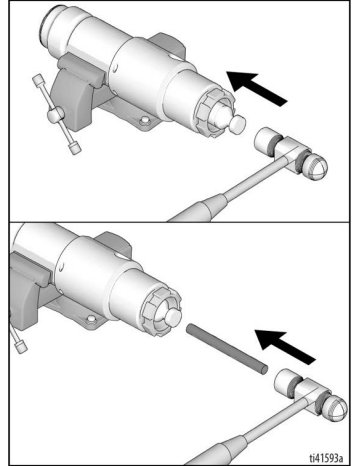
1. Perform **Pressure Relief Procedure**, page 5.
2. Remove the pump (see your spray er manual).
3. Unscrew cylinder from intake valve.



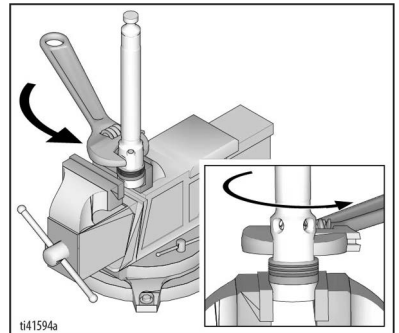
4. Loosen and remove packing nut.



5. Tap piston rod out of cylinder with a plastic hammer being careful of the threads. Use a thin, soft rod if necessary.

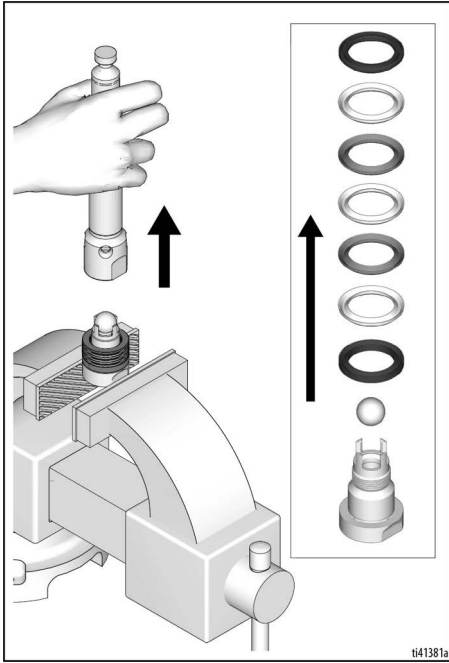


6. Unscrew displacement rod from piston valve.

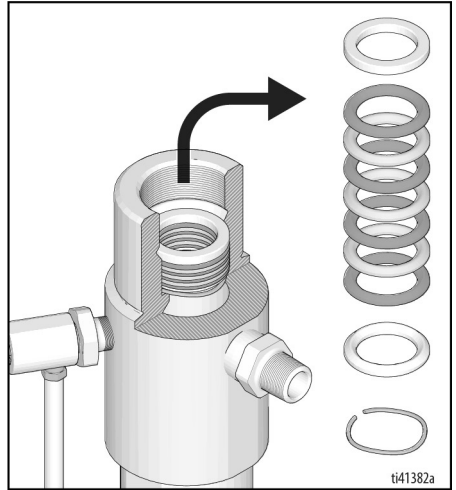


Disassemble Pump

7. Remove displacement rod from piston.
Clean and inspect parts.



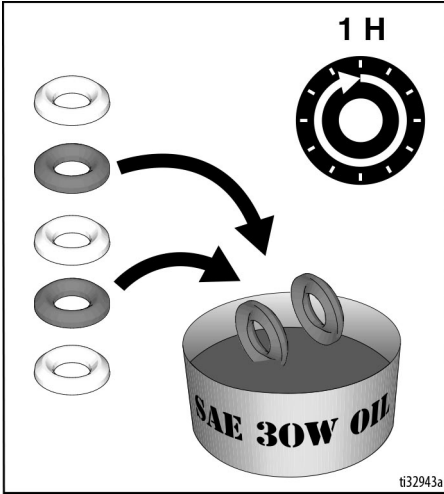
8. Remove and discard throat packing and glands from the cylinder.



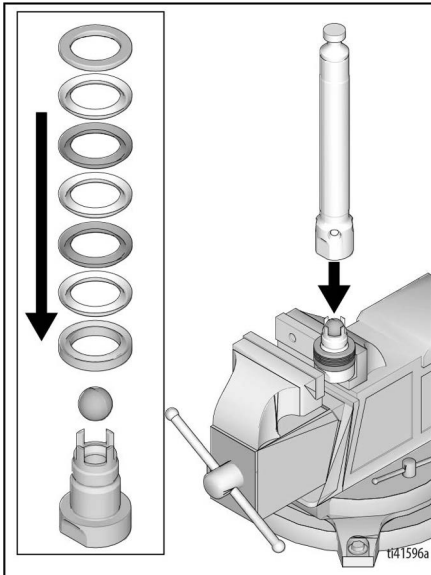
9. Clean all parts with compatible solvent.

Assemble Pump

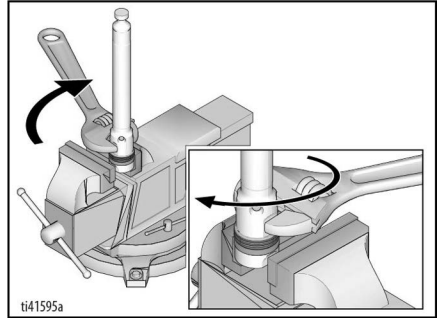
1. If applicable, soak leather packings in SAE 30W oil for one hour before assembly.



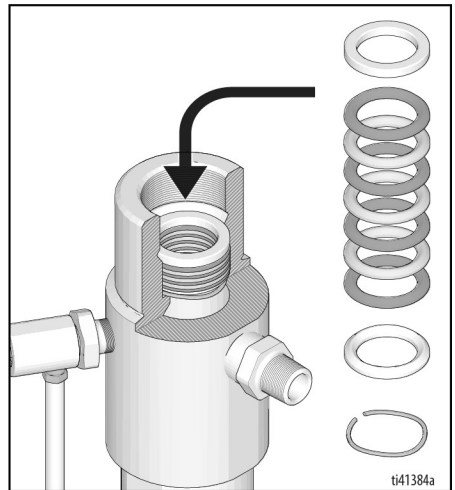
2. Assemble packings, then apply anti-seize to threads and assemble ball to piston and piston rod.



3. Torque piston and piston rod together. For torque values, see **Parts** section beginning on page 13.

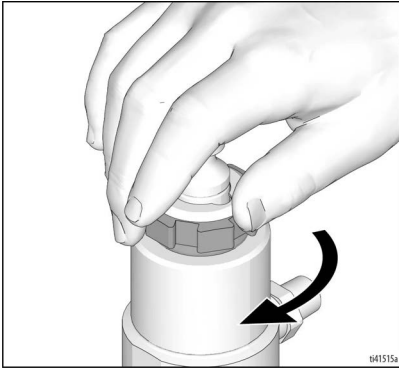


4. Assemble throat packings and place in pump cylinder.

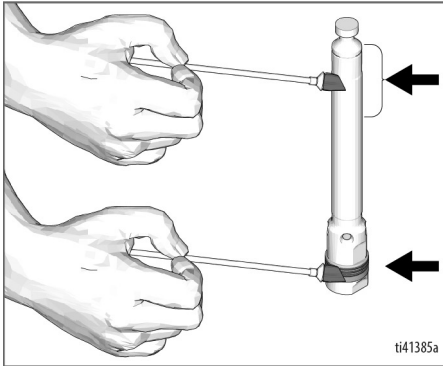


Assemble Pump

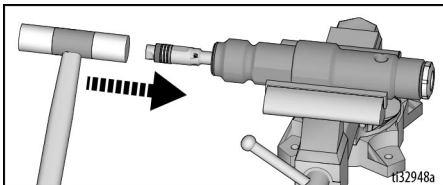
5. Hand screw packing nut on in order to retain packings during rod assembly.



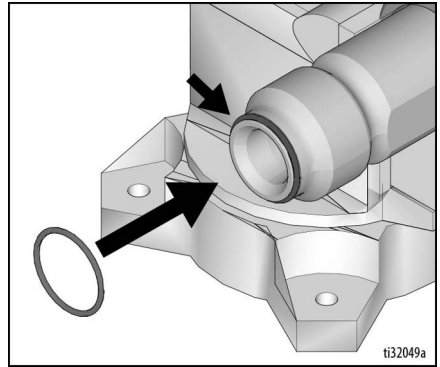
6. Apply liberal amounts of grease or oil to piston packings. Grease top inch or two of piston rod that will go through the cylinder throat packings.



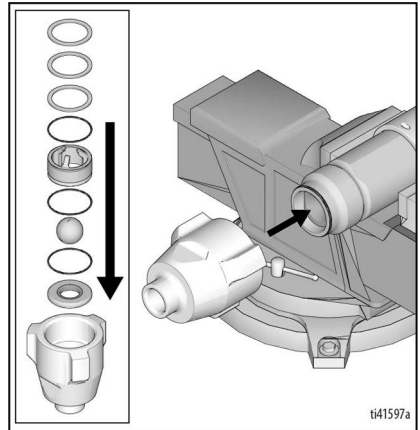
7. Gently guide displacement rod up through throat packings. Tap bottom of piston valve as necessary with a leather or plastic hammer.



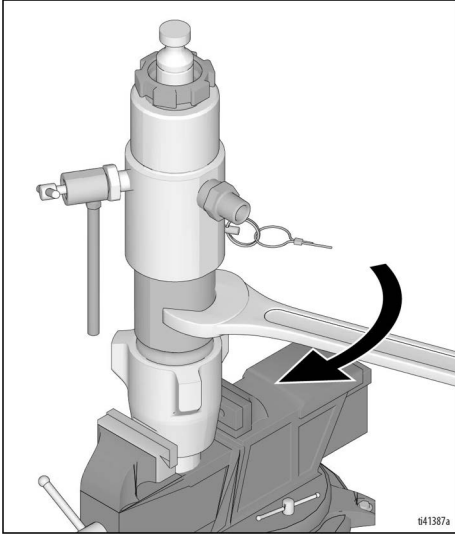
8. Grease o-ring and place on outside diameter ring groove.



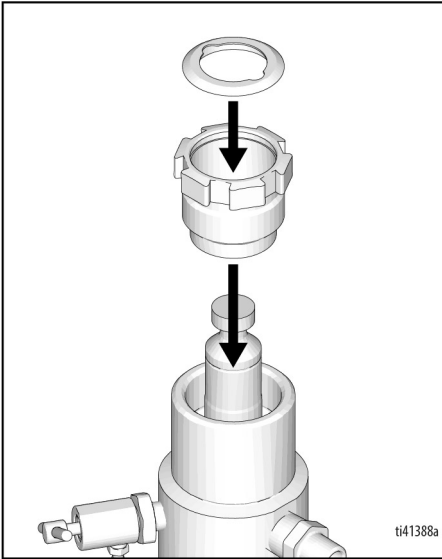
9. Clean seat thoroughly. Reassemble intake valve with a seat, ball, and new o-ring. Seat may be flipped over and used on other side.



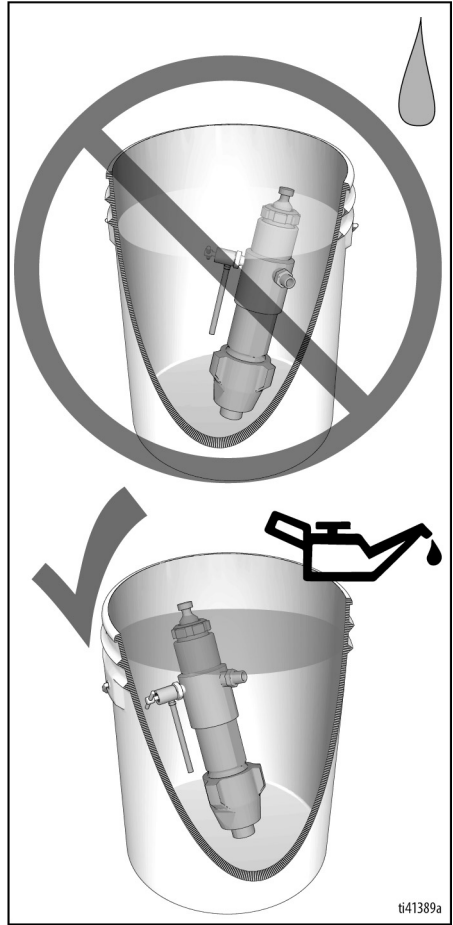
10. Torque foot valve. For torque values, see **Parts** section beginning on page 13.



11. Install TSL Retainer. Torque packing nut to torque values listed in **Parts** section, beginning on page 13.



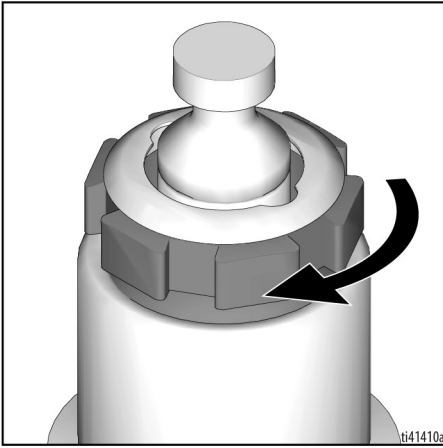
Storage:





Throat Packing Adjustment

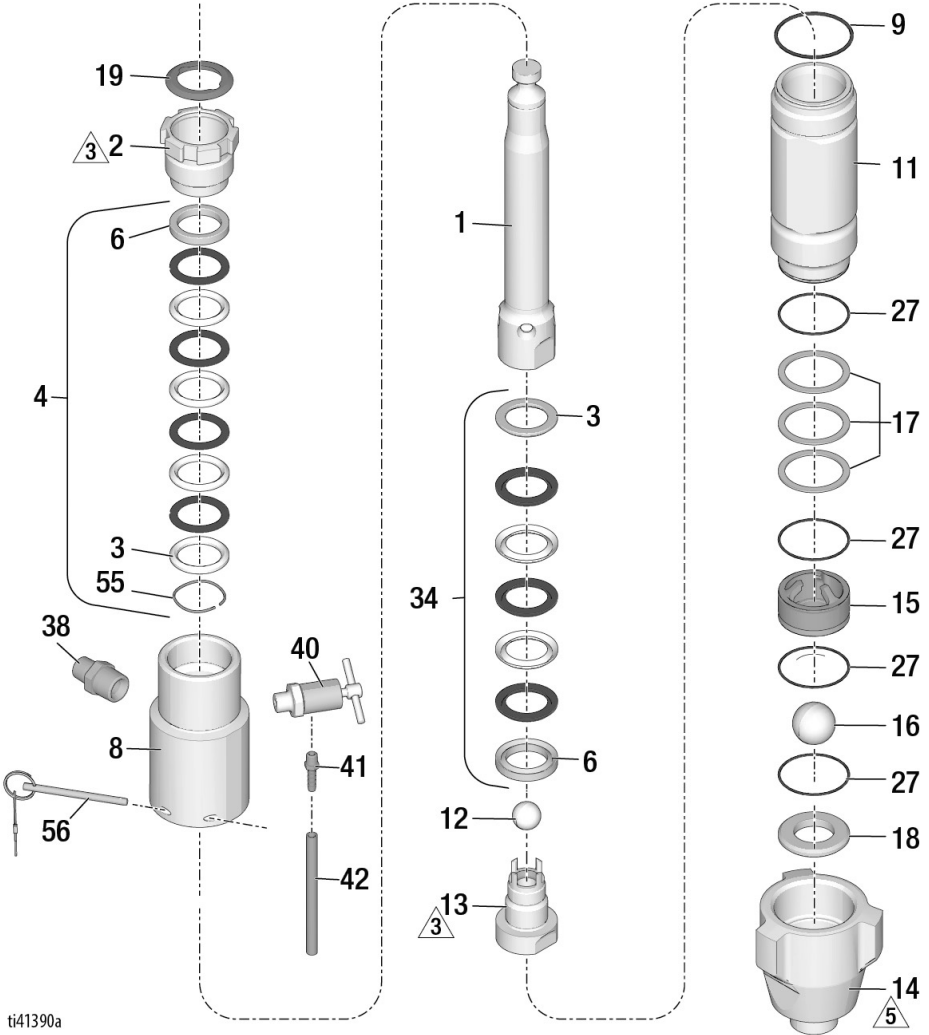
Throat Packing Adjustment

When pump packings begin to leak after much use, perform **Pressure Relief Procedure**, page 5, and tighten packing nut down until leakage stops or lessens. This allows for additional operation before a repacking is required.



Parts Diagram 19D951

Ref.	Torque
 2	105-145 ft-lb (155-185 N•m)
 13	135-150 ft-lb (183-203 N•m)





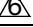
Parts Diagram 19D951

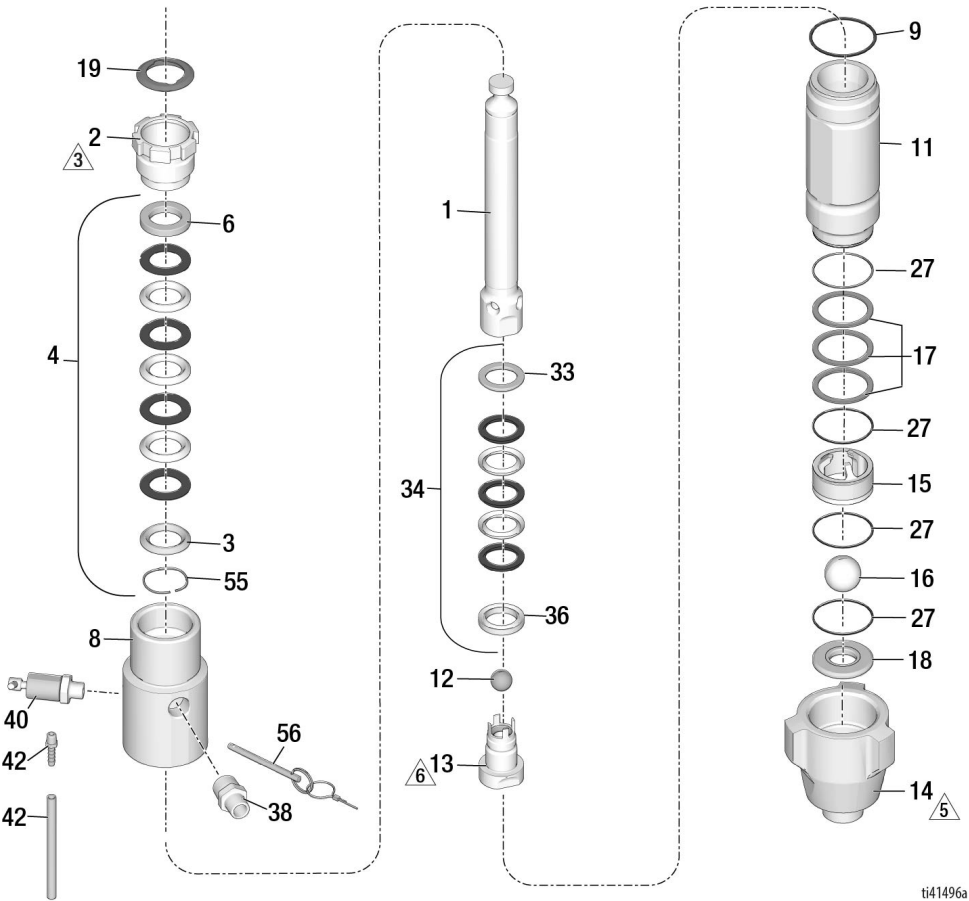
Parts List 19D951

Ref.	Part	Description	Qty.
1	24B822	ROD, displacement	1
2	197330	NUT, packing	1
3	17G931	GLAND, packing, male	2
4*		PACKING, throat stack	1
6	17G898	GLAND, packing, female	2
8	19D634	ADAPTER, lower	1
9	244892	PACKING, O-ring (pack of 10)	1
11	197316	CYLINDER, pump	1
12	253029	BALL (pack of 3)	1
13	24B827	VALVE, piston	1
14	197303	HOUSING, inlet	1
15	197307	GUIDE, ball	1
16	245128	BALL, metallic (pack of 3)	1
17	244855	SHIM, inlet (pack of 9)	3
18	196358	SEAT, carbide	1
19	244996	PLUG, throat (pack of 10)	1
27	244890	PACKING, O-ring, PTFE (pack of 10)	4
34*		PACKING, piston stack	1
38	19D623	FITTING, nipple, reducing, 1/2 x 3/4 npt @ 7250	1
40	245143	VALVE, pressure, bleed	1
41	116746	FITTING, barbed, plated	1
42	116750	TUBE, nylon	1
55	17G975	SPRING, wave	1
56	244826	PIN, self-locking	1

* See **Repair Kits**, page 19

Parts Diagram 19D952

Ref.	Torque
 3	105-145 ft-lb (155-185 N•m)
 5	135-150 ft-lb (183-203 N•m)
 6	160-240 (220 - 320 N•m)



ti41496a



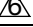
Parts Diagram 19D952

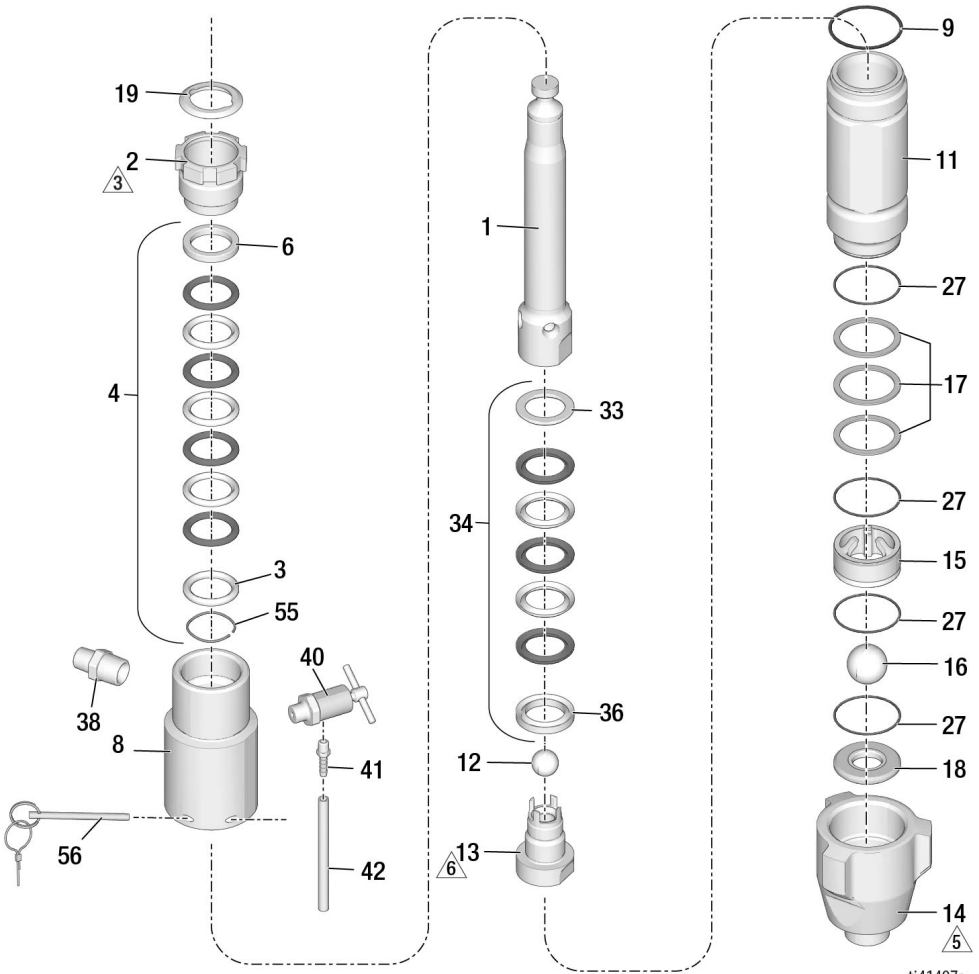
Parts List 19D952

Ref.	Part	Description	Qty
1	24B823	ROD, displacement	1
2	197331	NUT, packing	1
3	17G932	GLAND, packing, male	1
4*		PACKING, piston packings	4
6	17G899	GLAND, packing, female	1
8	19D635	ADAPTER, lower, 220	1
9	244893	PACKING, O-ring (pack of 10)	1
11	197317	CYLINDER, pump	1
12	244898	BALL (pack of 3)	1
13	24B828	VALVE, piston, 220 cc	1
14	197304	HOUSING, inlet	1
15	198647	GUIDE, ball. 1.5 in., spring load	1
16	253030	BALL, metallic (pack of 3)	1
17	244856	SHIM, inlet (pack of 9)	3
18	197344	SEAT, carbide	1
19	244999	PLUG, throat (pack of 10)	1
27	244891	PACKING, O-ring (pack of 10)	4
31	070303	LUBRICANT, grease	1
33	17G933	GLAND, packing, male	1
34*		PACKING, throat packings	3
36	17G910	GLAND, packing, female	1
38	19D623	FITTING, nipple, reducing 1/2 x 3/4 npt @ 7250	1
40	245143	VALVE, pressure, bleed	1
41	116746	FITTING, barbed, plated	1
42	116750	TUBE, nylon	1
55	17G976	SPRING, wave	1
56	244826	PIN, self-locking	1

* See **Repair Kits**, page 19

Parts Diagram 19D954

Ref.	Torque
 3	105-145 ft-lb (155-185 N•m)
 5	135-150 ft-lb (183-203 N•m)
 6	160-240 (220 - 320 N•m)



ti41497a

Parts Diagram 19D954

Parts List 19D954

Ref.	Part	Description	Qty
1	24B825	ROD, displacement	1
2	197331	NUT, packing	1
3	17G934	GLAND, packing, male	1
4*		PACKING, piston packings	4
6	17G917	GLAND, packing, female	1
8	19D635	ADAPTER, lower, 290	1
9	244893	PACKING, O-ring (pack of 10)	1
11	197319	CYLINDER, pump	1
12	244899	BALL (pack of 3)	1
13	24B830	VALVE, piston, 290 cc	1
14	197304	HOUSING, inlet	1
15	198647	GUIDE, ball. 1.5 in., spring load	1
16	253030	BALL, metallic (pack of 3)	1
17	244856	SHIM, inlet (pack of 9)	3
18	197344	SEAT, carbide	1
19	244999	PLUG, throat (pack of 10)	1
27	244891	PACKING, O-ring (pack of 10)	4
31	070303	LUBRICANT, grease	1
33	17G935	GLAND, packing, male	1
34*		PACKING, throat packings	3
36	17G918	GLAND, packing, female	1
38	19D623	FITTING, nipple, reducing 1/2 x 3/4 npt @ 7250	1
40	245145	VALVE, pressure, bleed	1
41	116746	FITTING, barbed, plated	1
42	116750	TUBE, nylon	1
55	17G976	SPRING, wave	1
56	244826	PIN, self-locking	1

* See **Repair Kits**, page 19

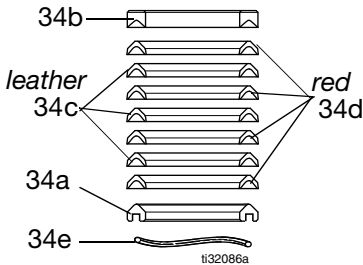
Repair Kits

Graco Formulated UHMWPE/Leather

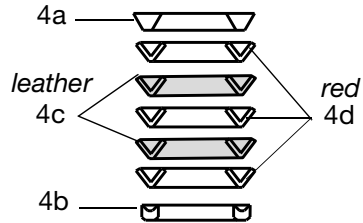
Repair kits contain a set of four UHMWPE and three leather packings for the throat, and a set of three UHMWPE and two leather packings for the piston that are ideal for abrasive applications. Full repair kits also include items 9, 12, 16, 19 and 27 on the parts list. Packings are items 4 and 34 on the parts lists.

Pump Model	Lower Size	Full Repair Kit	Descriptions, Reference Numbers, and Quantity	
			Throat Seal Kit (34a-34e)	Piston Seal Kit (4a-4d)
			Replaces entire packing stack in throat (see figure below)	Replaces entire packing stack in piston (see figure below)
19D951	180 cc	25D235	25D135	25D142
19D952	220 cc	25D236	25D136	25D143
19D954	290 cc	25D238	25D138	25D145

**Throat Packings:
Lips Face Down**



**Piston Packings:
Lips Face Up**



Lubricate packings; soak leather packings in oil for one hour before assembly.

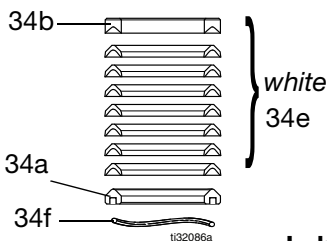
Repair Kits

PTFE

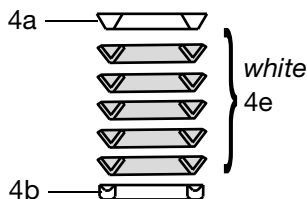
Repair kits contain a set of seven PTFE packings for the throat, and five PTFE packings for the piston that are ideal for chemical resistance and higher temperatures. Not ideal for abrasive applications. Full repair kits also include, items 9, 12, 16, 19 and 27 on the parts list. Packings are parts no. 4 and 34 on the parts lists.

Pump Model	Lower Size	Full Repair Kit	Descriptions, Reference Numbers, and Quantity	
			Throat Seal Kit (34a-34e)	Piston Seal Kit (4a-4d)
			Replaces entire packing stack in throat (see figure below)	Replaces entire packing stack in piston (see figure below)
19D951	180 cc	25D245	25D152	25D162
19D952	220 cc	25D246	25D153	25D163
19D954	290 cc	25D248	25D155	25D165

Throat Packings: Lips Face Down



Piston Packings: Lips Face Up



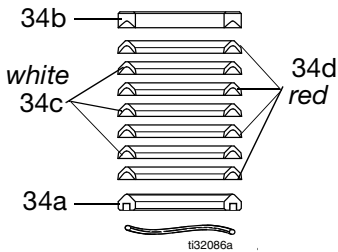
Lubricate Packings

Graco Formulated UHMWPE/PTFE

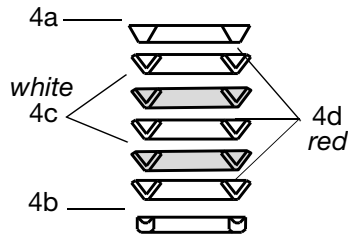
Repair kits contain a set of four UHMWPE and three PTFE packings for the throat, and three UHMWPE and two PTFE packings for the piston that are for chemical resistance and durability in applications below 140 °F (60 °C). Full repair kits also include, items 9, 12, 16, 19 and 27 on the parts list. Packings are parts no. 4 and 34 on the parts lists.

Pump Model	Lower Size	Full Repair Kit	Descriptions, Reference Numbers, and Quantity	
			Throat Seal Kit (34a-34e)	Piston Seal Kit (4a-4d)
			Replaces entire packing stack in throat (see figure below)	Replaces entire packing stack in piston (see figure below)
19D951	180 cc	25D259	25D176	25D190
19D952	220 cc	25D260	25D177	25D191
19D954	290 cc	25D262	25D179	25D193

Throat Packings: Lips Face Down



Piston Packings: Lips Face Up



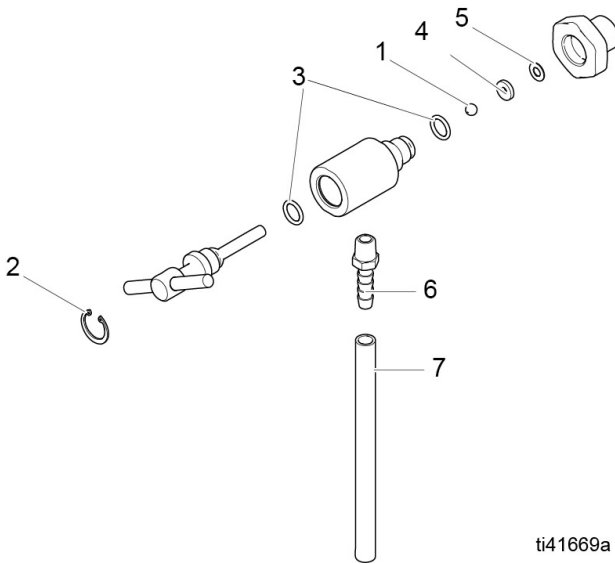
Lubricate packings

Inlet Ball Spring Kits

Use to improve change over rates in longer ball travel configurations. Order kit that corresponds with your lower model. See manual 3A9121.

Kit	Lower Model
245190	180 cc
245191	220 cc
245191	290 cc

Fluid Drain Valve Repair Kit (245145)



Ref.	Description	Qty.
1	BALL, carbide	1
2	RING, retaining	1
3	O-RING, PTFE	2
4	SEAT, valve	1
5	GASKET	1
6	FITTING, barbed, plated	1
7	TUBE, nylon	1

Ceramic Ball Kits


Lower	Ceramic Piston Ball	Ceramic Inlet Ball
180 cc	111453	119264
220 cc	118602	131271
290 cc	117321	131271

Technical Specifications

	US	Metric
Maximum operating temperature*	180° F	82° C
Stroke Length	4.75 in.	12.06 cm
Maximum fluid working pressure		
19D951	7250 psi	50 MPa, 500 bar
19D952	6000 psi	41 MPa, 414 bar
19D954	4500 psi	31 MPa, 310 bar
Nominal displacement per cycle *		
19D951		180 cc
19D952		220 cc
19D954		290 cc
Wetted Parts		
Carbon Steel; Alloy Steel; 304, 440 and 17-4 PH Grades of Stainless Steel; Zinc and Nickel Plating; Ductile Iron; Tungsten Carbide; PTFE; Leather		
Notes		
* Maximum cycle rate of 60 cycles per unit. Do not dry stroke the unit.		
All trademarks or registered trademarks are the property of their respective owners.		

California Proposition 65

CALIFORNIA RESIDENTS

 **WARNING:** Cancer and reproductive harm –
www.P65warnings.ca.gov.

Graco Standard Warranty

Graco warrants all equipment referenced in this document which is manufactured by Graco and bearing its name to be free from defects in material and workmanship on the date of sale to the original purchaser for use. With the exception of any special, extended, or limited warranty published by Graco, Graco will, for a period of twelve months from the date of sale, repair or replace any part of the equipment determined by Graco to be defective. This warranty applies only when the equipment is installed, operated and maintained in accordance with Graco's written recommendations.

This warranty does not cover, and Graco shall not be liable for general wear and tear, or any malfunction, damage or wear caused by faulty installation, misapplication, abrasion, corrosion, inadequate or improper maintenance, negligence, accident, tampering, or substitution of non-Graco component parts. Nor shall Graco be liable for malfunction, damage or wear caused by the incompatibility of Graco equipment with structures, accessories, equipment or materials not supplied by Graco, or the improper design, manufacture, installation, operation or maintenance of structures, accessories, equipment or materials not supplied by Graco.

This warranty is conditioned upon the prepaid return of the equipment claimed to be defective to an authorized Graco distributor for verification of the claimed defect. If the claimed defect is verified, Graco will repair or replace free of charge any defective parts. The equipment will be returned to the original purchaser transportation prepaid. If inspection of the equipment does not disclose any defect in material or workmanship, repairs will be made at a reasonable charge, which charges may include the costs of parts, labor, and transportation.

THIS WARRANTY IS EXCLUSIVE, AND IS IN LIEU OF ANY OTHER WARRANTIES, EXPRESS OR IMPLIED, INCLUDING BUT NOT LIMITED TO WARRANTY OF MERCHANTABILITY OR WARRANTY OF FITNESS FOR A PARTICULAR PURPOSE.

Graco's sole obligation and buyer's sole remedy for any breach of warranty shall be as set forth above. The buyer agrees that no other remedy (including, but not limited to, incidental or consequential damages for lost profits, lost sales, injury to person or property, or any other incidental or consequential loss) shall be available. Any action for breach of warranty must be brought within two (2) years of the date of sale.

GRACO MAKES NO WARRANTY, AND DISCLAIMS ALL IMPLIED WARRANTIES OF MERCHANTABILITY AND FITNESS FOR A PARTICULAR PURPOSE, IN CONNECTION WITH ACCESSORIES, EQUIPMENT, MATERIALS OR COMPONENTS SOLD BUT NOT MANUFACTURED BY GRACO. These items sold, but not manufactured by Graco (such as electric motors, switches, hose, etc.), are subject to the warranty, if any, of their manufacturer. Graco will provide purchaser with reasonable assistance in making any claim for breach of these warranties.

In no event will Graco be liable for indirect, incidental, special or consequential damages resulting from Graco supplying equipment hereunder, or the furnishing, performance, or use of any products or other goods sold hereto, whether due to a breach of contract, breach of warranty, the negligence of Graco, or otherwise.

FOR GRACO CANADA CUSTOMERS

The Parties acknowledge that they have required that the present document, as well as all documents, notices and legal proceedings entered into, given or instituted pursuant hereto or relating directly or indirectly hereto, be drawn up in English. Les parties reconnaissent avoir convenu que la rédaction du présente document sera en Anglais, ainsi que tous documents, avis et procédures judiciaires exécutés, donnés ou intentés, à la suite de ou en rapport, directement ou indirectement, avec les procédures concernées.

Graco Information

For the latest information about Graco products, visit www.graco.com.

For patent information, see www.graco.com/patents.

TO PLACE AN ORDER, contact your Graco distributor or call 1-800-690-2894 to identify the nearest distributor.

All written and visual data contained in this document reflects the latest product information available at the time of publication. Graco reserves the right to make changes at any time without notice.

Original instructions. This manual contains English. MM 3A9122

Graco Headquarters: Minneapolis

International Offices: Belgium, China, Japan, Korea

GRACO INC. AND SUBSIDIARIES • P.O. BOX 1441 • MINNEAPOLIS MN 55440-1441 • USA

Copyright 2022, Graco Inc. All Graco manufacturing locations are registered to ISO 9001.

www.graco.com

Revision A, April 2022