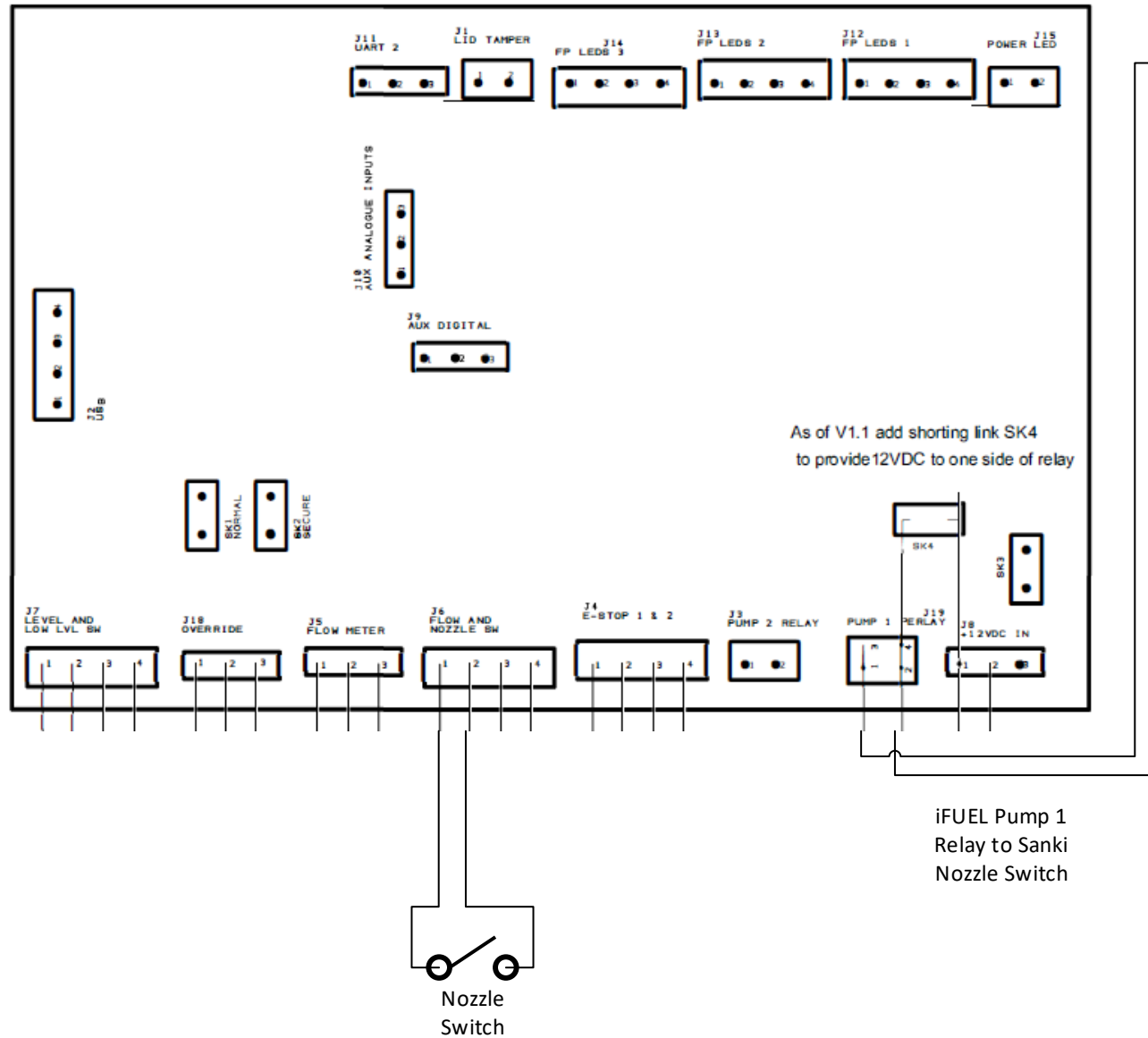


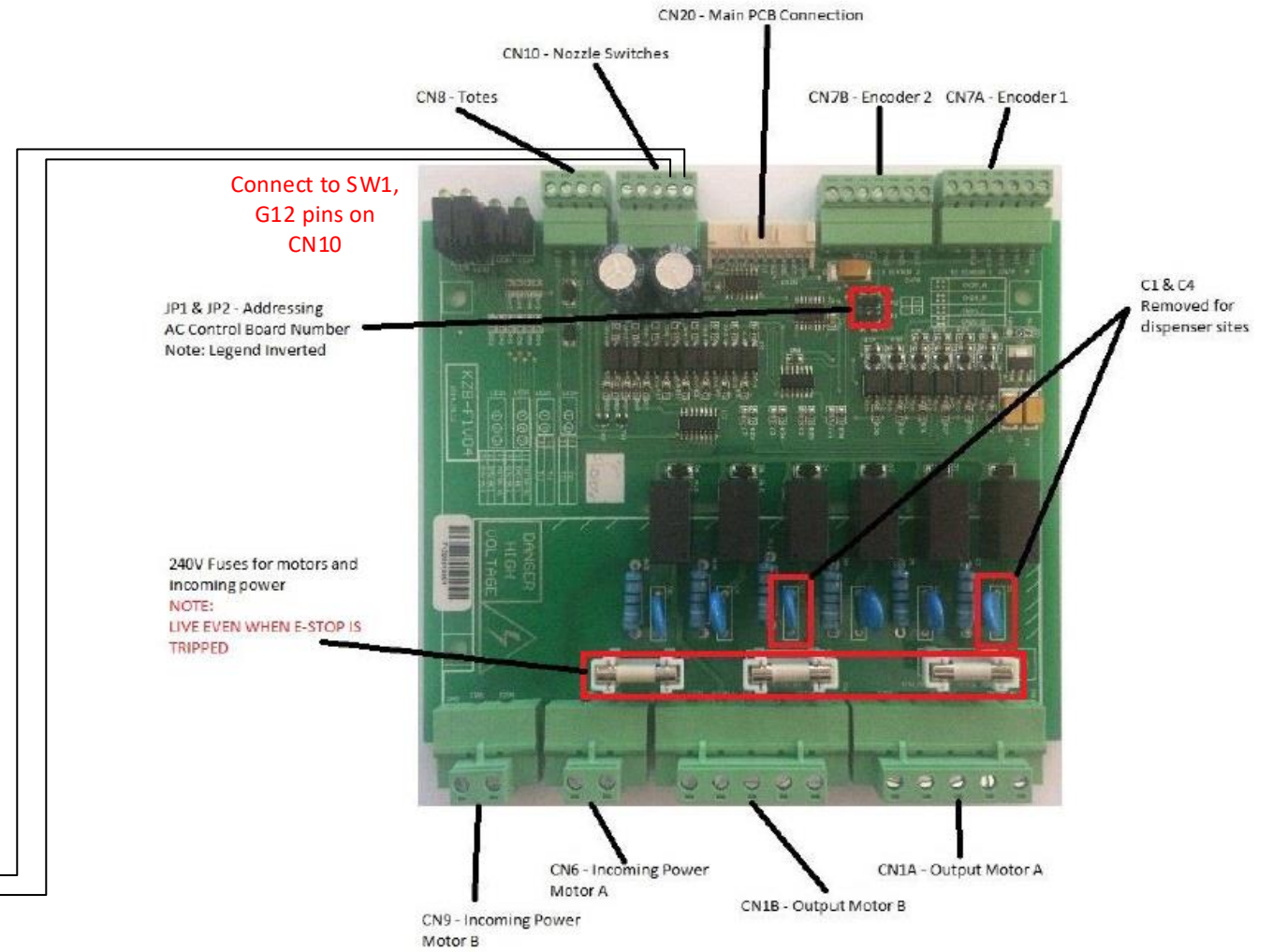
iFUEL Mobile



Note: Connecting the Sanki Nozzle Switch inputs to the iFUEL Pump 1 Relay makes the Sanki think that the nozzle is being lifted when the iFUEL authorises a transaction.

Sanki Bowser

AC Control Board Connections



Electrical Drawings

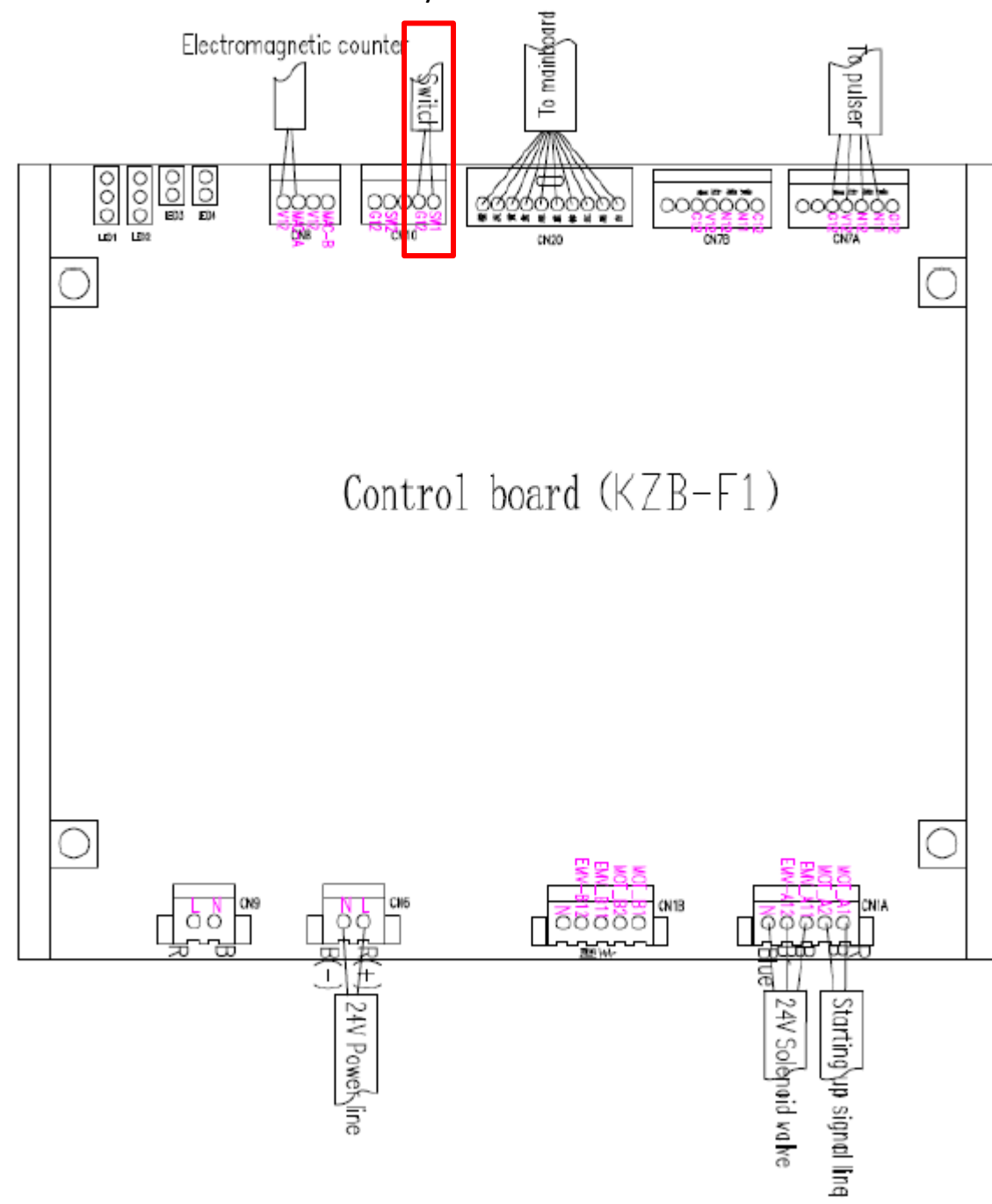
iFUEL Mobile Sanki Dispenser Integration

Drawn: Samuel Morgan

Client: Redstar

SIZE	Job Number	DWG NO	REV
A3		iFUEL Mobile	A
SCALE	1:1	SHEET	1 OF 2

Connect iFUEL Pump 1 relay here



Control board (KZB-F1)

Sanki Bowser AC Control Board



Electrical Drawings

iFUEL Mobile Sanki Dispenser integration 2

Drawn: Samuel Morgan	SIZE A3	Job Number	DWG NO iFUEL Mobile	REV A
Client: Redstar	SCALE 1:1	SHEET 2 OF 2		