

ToughTek[®] CM20 Continuous Mixers

3A5202G

EN

Electric continuous mixer for water-based cementitious materials. For professional use only.

Not approved for use in explosive atmospheres or hazardous locations.

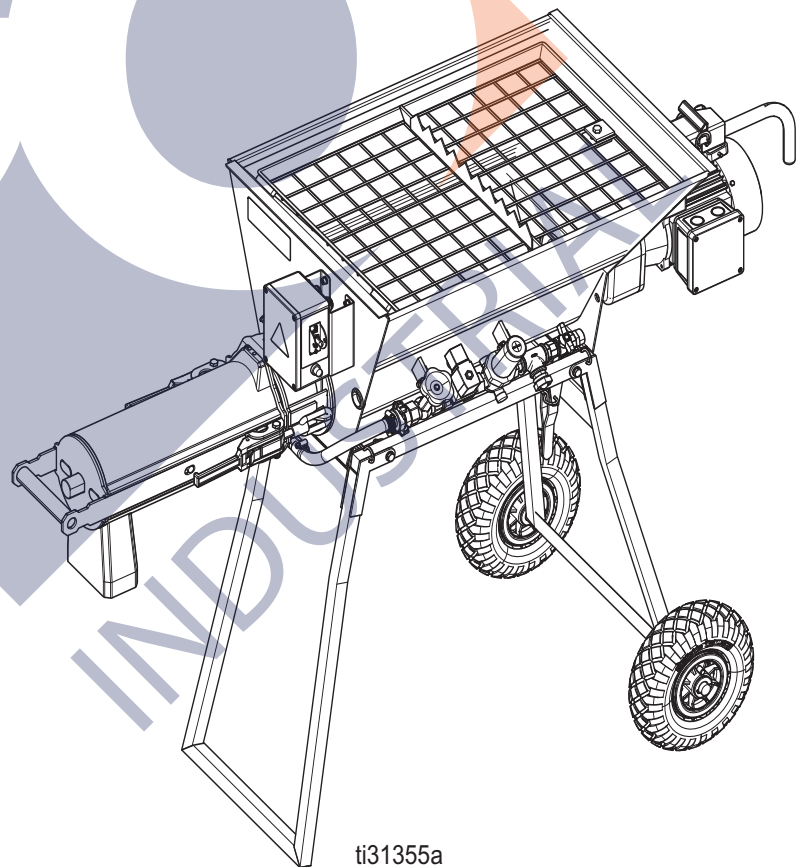
100 psi (0.69 MPa, 6.9 bar) Maximum Water Inlet Pressure

See page 2 for model information and approvals.



Important Safety Instructions


Read all warnings and instructions in this manual. Save these instructions.



Contents

| | | | |
|---|-----------|---|-----------|
| Models | 2 | Disposal | 16 |
| Related Manuals | 2 | Troubleshooting | 17 |
| Accessories | 2 | Schematics | 19 |
| Warnings | 3 | 25M530 (120 Volt) Series B | 19 |
| Component Identification | 5 | 25M530 (120 Volt) Series A | 19 |
| CM20 | 5 | 25M563 (230 Volt) | 20 |
| Mix-head Assembly | 6 | Mixing Shaft Factory Configuration | 21 |
| Water Control Assembly | 6 | Parts | 22 |
| Setup | 7 | Mixer Assembly | 22 |
| Assemble Unit | 7 | Mixing Shaft Assembly (17T457) | 25 |
| Prepare Unit for Operation | 8 | Water Control Assembly | 26 |
| Water Connections | 9 | 120 V Control Box Assembly (17T351) | 28 |
| Electrical Components | 10 | Dimensions | 29 |
| Grounding | 10 | Technical Specifications | 31 |
| Operation | 11 | California Proposition 65 | 31 |
| Shutdown | 12 | Graco Standard Warranty | 32 |
| Changing Material and Storing Equipment | 14 | Graco Information | 32 |
| Remove Mixer from Cart Stand | 15 | | |
| Maintenance | 16 | | |
| Preventive Maintenance Schedule | 16 | | |

Models

| Model | Voltage | Amperage | Power | Approvals |
|-----------------|---------------|----------|--------|---|
| 25M530 Series B | 120 V / 60 Hz | 15 A | 1.5 HP | |
| 25M563 Series A | 230 V / 50 Hz | 16 A | 2.2 kW |  |

Related Manuals







| Manual in English | Description |
|-------------------|-------------------------------------|
| 3A4361 | ToughTek Rotor/Stator Pumps |
| 3A3437 | ToughTek S340e Portable Stucco Pump |

Accessories

| Part | Description |
|--------|------------------------|
| 17T019 | ACCESSORY, lid, hopper |

Warnings

The following warnings are for the setup, use, grounding, maintenance, and repair of this equipment. The exclamation point symbol alerts you to a general warning and the hazard symbols refer to procedure-specific risks. When these symbols appear in the body of this manual or on warning labels, refer back to these Warnings. Product-specific hazard symbols and warnings not covered in this section may appear throughout the body of this manual where applicable.

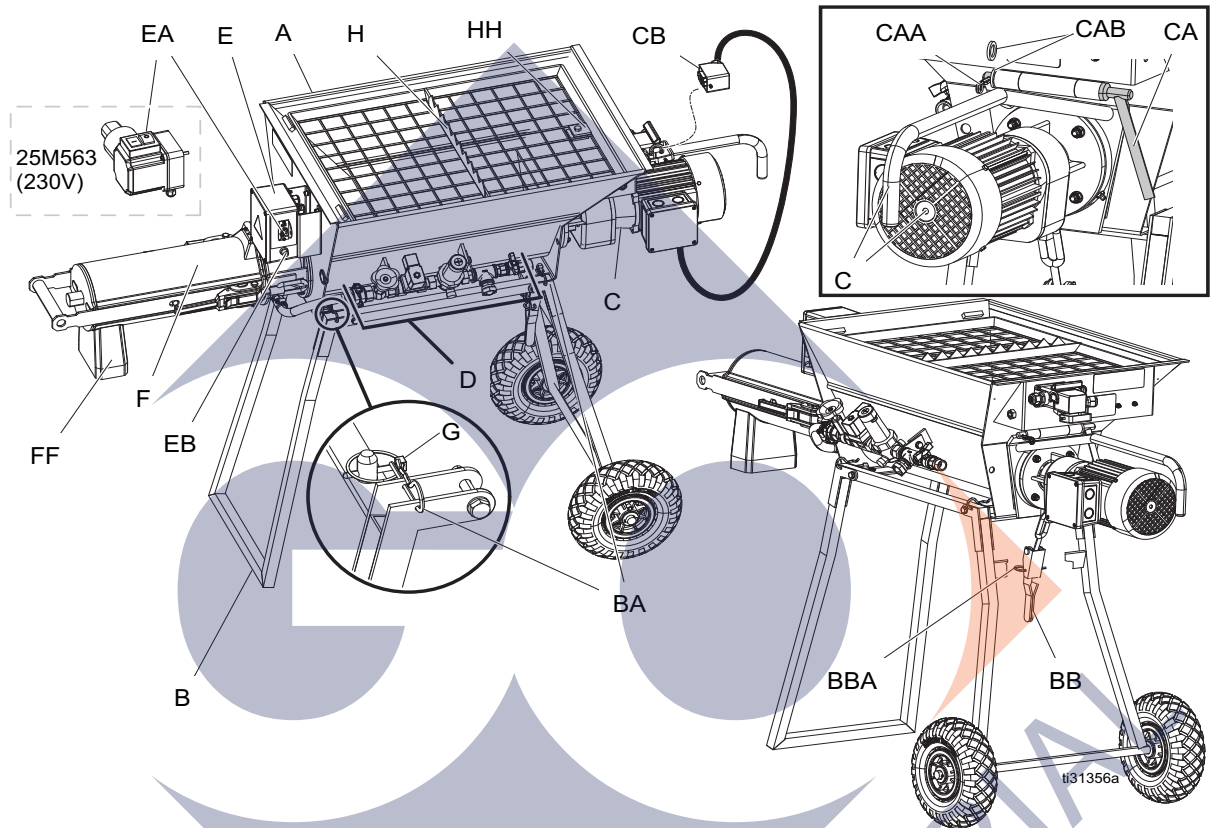
|  WARNING | |
|---|--|
|     | <p>MOVING PARTS HAZARD</p> <p>Moving parts can pinch, cut or amputate fingers and other body parts.</p> <ul style="list-style-type: none"> • Keep clear of moving parts. • Do not operate equipment with protective guards or covers removed. • Before checking, moving, or servicing equipment, relieve pressure and disconnect all power sources. |
|   | <p>ELECTRIC SHOCK HAZARD</p> <p>This equipment must be grounded. Improper grounding, setup, or usage of the system can cause electric shock.</p> <ul style="list-style-type: none"> • Turn off and disconnect power before servicing equipment. • Connect only to grounded electrical outlets. • Ensure ground prongs are intact. • Do not expose to rain. Store indoors. • All electrical wiring must be done by a qualified electrician and comply with all local codes and regulations. |

! WARNING

| | |
|--|---|
|   | <p>EQUIPMENT MISUSE HAZARD</p> <p>Misuse can cause death or serious injury.</p> <ul style="list-style-type: none"> • Do not operate the unit when fatigued or under the influence of drugs or alcohol. • Do not exceed the maximum working pressure or temperature rating of the lowest rated system component. See Technical Specifications in all equipment manuals. • Use fluids and solvents that are compatible with equipment wetted parts. See Technical Specifications in all equipment manuals. Read fluid and solvent manufacturer's warnings. For complete information about your material, request Safety Data Sheets (SDSs) from distributor or retailer. • Do not leave the work area while equipment is energized or under pressure. • Turn off all equipment and relieve pressure when equipment is not in use. • Check equipment daily. Repair or replace worn or damaged parts immediately with genuine manufacturer's replacement parts only. • Do not alter or modify equipment. Alterations or modifications may void agency approvals and create safety hazards. • Make sure all equipment is rated and approved for the environment in which you are using it. • Use equipment only for its intended purpose. Call your distributor for information. • Route hoses and cables away from traffic areas, sharp edges, moving parts, and hot surfaces. • Do not kink or over bend hoses or use hoses to pull equipment. • Keep children and animals away from work area. • Comply with all applicable safety regulations. |
|    | <p>PRESSURIZED EQUIPMENT HAZARD</p> <p>Fluid from the equipment, leaks, or ruptured components can splash in the eyes or on skin and cause serious injury.</p> <ul style="list-style-type: none"> • Relieve pressure when you stop spraying/dispensing and before cleaning, checking, or servicing equipment. • Tighten all fluid connections before operating the equipment. • Check hoses, tubes, and couplings daily. Replace worn or damaged parts immediately. |
|  | <p>TOXIC FLUID OR FUMES HAZARD</p> <p>Toxic fluids or fumes can cause serious injury or death if splashed in the eyes or on skin, inhaled, or swallowed.</p> <ul style="list-style-type: none"> • Read Safety Data Sheets (SDSs) to know the specific hazards of the fluids you are using. • Store hazardous fluid in approved containers, and dispose of it according to applicable guidelines. |
|  | <p>PERSONAL PROTECTIVE EQUIPMENT</p> <p>Wear appropriate protective equipment when in the work area to help prevent serious injury, including eye injury, hearing loss, inhalation of toxic fumes, and burns. Protective equipment includes but is not limited to:</p> <ul style="list-style-type: none"> • Protective eyewear, and hearing protection. • Respirators, protective clothing, and gloves as recommended by the fluid and solvent manufacturer. |

Component Identification

CM20



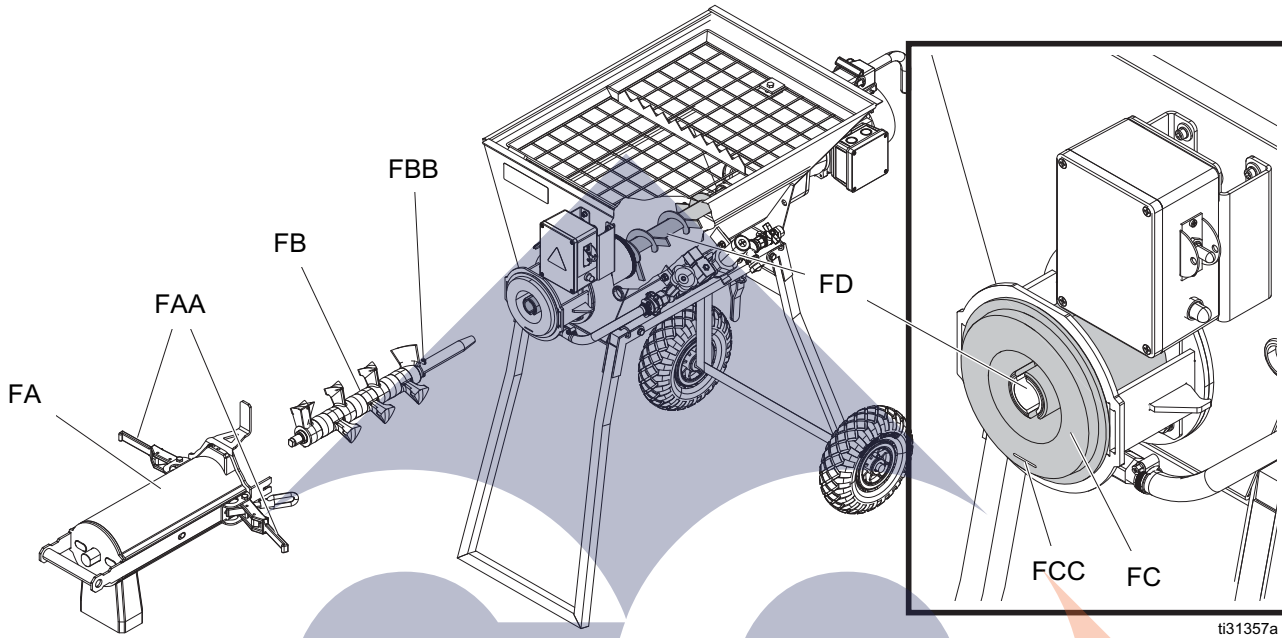
Ref. Description

- A Hopper
- B Cart stand
- BA 2 Frame safety pins
- BB Rear toggle latch
- BBA Rear toggle latch clip
- C Motor assembly
- CA Motor alignment pin
- CAA Motor alignment pin clip
- CAB Motor alignment pin washer
- CB Motor power cable
- CD Grease fitting

Ref. Description

- D Water control assembly
(see detail view for components)
- E Electrical Box
- EA On/Off switch
- EB Circuit breaker reset
- F Mix-head assembly (see detail view for components)
- FF Discharge nozzle
- G 2 Hopper ring pins
- H Hopper grate and bag breaker
- HH Grate retaining screw

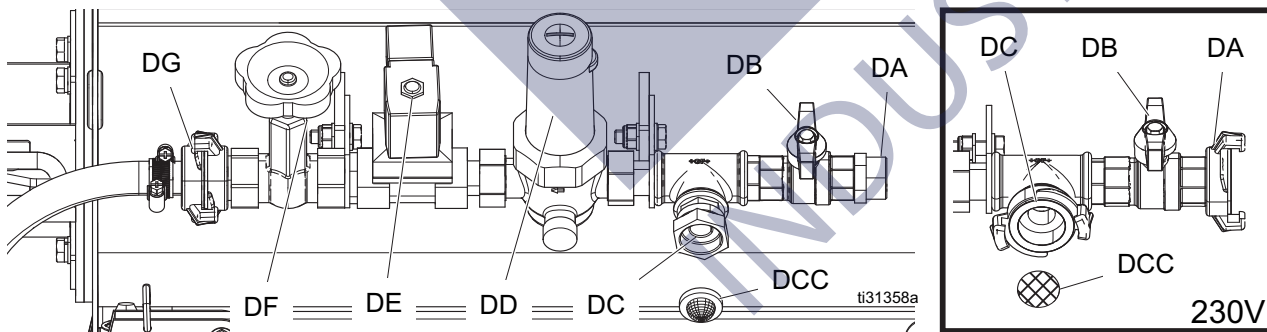
Mix-head Assembly



ti31357a

| Ref. | Description |
|------|-----------------------------|
| FA | Mixing tube |
| FAA | Mixing tube toggle latches |
| FB | Mixing shaft |
| FBB | Mixing shaft pins |
| FC | Throat insert |
| FCC | Water dosing port |
| FD | Material dosing auger shaft |

Water Control Assembly



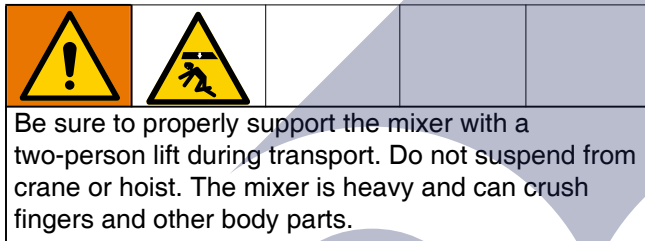
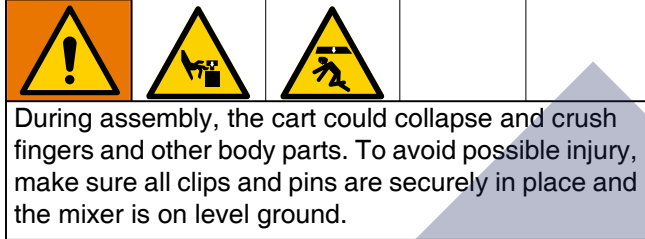
ti31358a

230V

| Ref. | Description |
|------|-------------------------------------|
| DA | Water accessory fitting |
| DB | Water accessory shut-off ball valve |
| DC | Water supply inlet |
| DCC | Inlet screen |
| DD | Water pressure regulator |
| DE | Water control solenoid |
| DF | Water metering valve |
| DG | Twist-claw outlet fitting/hose |

Setup

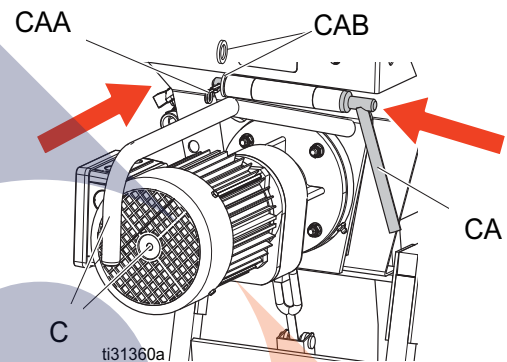
Assemble Unit



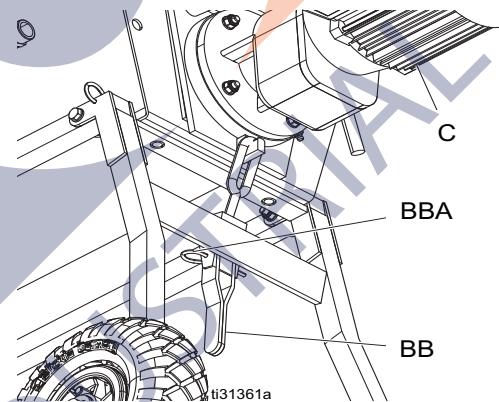
If unit is already assembled, continue to **Prepare Unit for Operation**.

1. Unfold cart legs and stand cart upright.
2. Install frame safety pins (BA) at front and rear of cart.
3. Using a two-person lift, place the hopper (A) on top of the cart frame. Secure the hopper to both sides of cart using the hopper ring pins (G).
4. Fully insert the material dosing auger shaft (FD) into the rear end of the hopper (A).
5. Insert mix shaft (FB) into mix tube (FA). Install shaft and tube onto hopper (A).
 - a. Align mixing shaft pins (FBB) to slots in the material dosing auger shaft (FD) and verify that pins and shaft are fully engaged.
 - b. Firmly connect mixing tube (FA) to hopper (A). Secure mixing tube toggle latches (FAA).

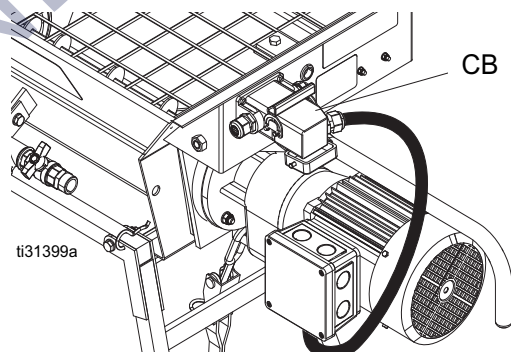
6. Lift the motor assembly (C) so that it connects to the material dosing auger shaft (FD). Immediately secure the motor to the hopper with the motor alignment pin (CA). Ensure the pin has slid completely into place. Slide motor alignment pin washer (CAB) over the end of the alignment pin (CA). Secure alignment pin with motor alignment pin clip (CAA).




7. Engage the rear toggle latch (BB) on the rear cart leg. Secure with rear toggle latch clip (BBA).



8. Connect motor power cable (CB).

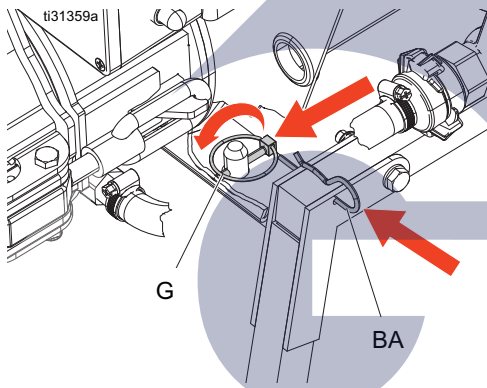


Prepare Unit for Operation

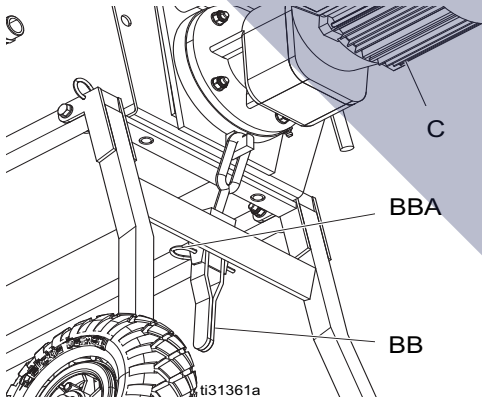


During setup, the cart could collapse and crush fingers and other body parts. To avoid possible injury, make sure all clips and pins are in place, ensure the mixer is on level ground, and always complete steps 1 and 2 before beginning setup or moving equipment.

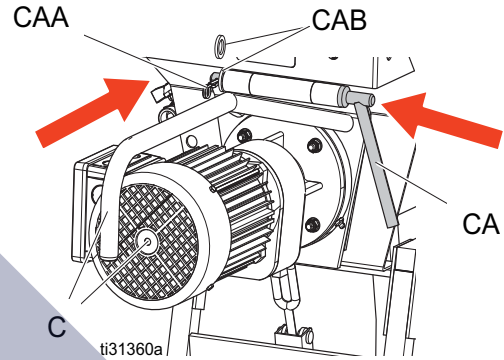
1. Verify that the front leg hitch clip (BA) is installed and the hopper is secured to both sides of the frame with hopper ring pins (G).



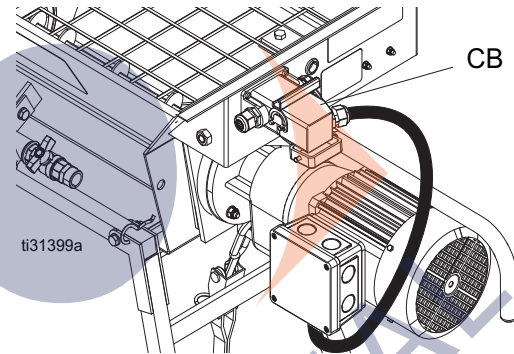
2. Verify that the motor toggle latch (BB), located on the rear cart leg, is engaged with the motor mount and secured with a rear toggle-latch clip (BBA) and frame safety pin (BA).



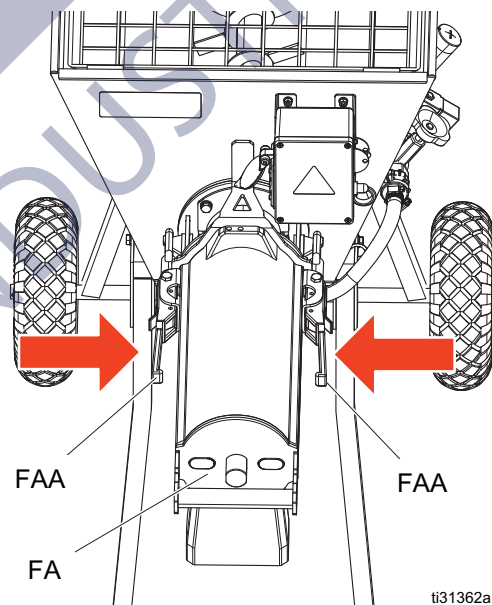
3. Verify that the motor (C) is securely mounted. The motor alignment pin (CA) must be installed and secured with a motor alignment pin washer (CAB) and motor alignment pin clip (CAA).






4. Verify that switch (EA) is in the off position, then connect the motor power cable (CB).



5. Verify that both mix tube toggle latches (FAA) on mixing tube (FA) are latched with their locking tabs engaged.



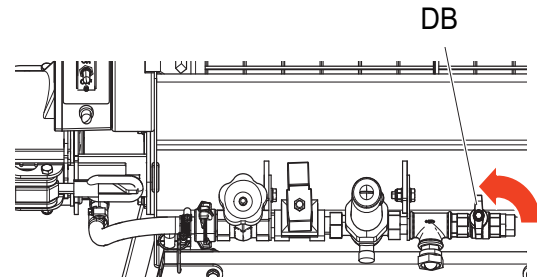
- Verify that the hopper grate (H) is installed with the bag breaker pointing up. Ensure the hopper grate is secured with the grate retaining screw (HH).

| | | | | |
|--|---|---|--|--|
|  |  |  | | |
| To help prevent injury from moving parts, do not operate with the grate (H) or mixing tube (FA) removed. | | | | |

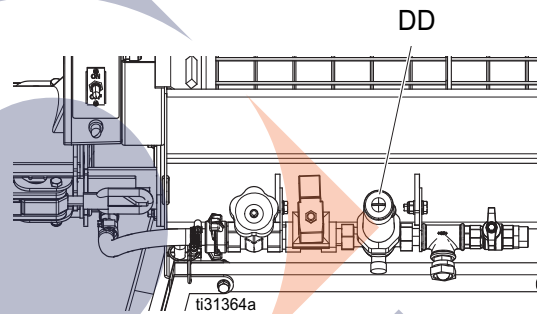
- Position the discharge nozzle (FF) of the mixer over a pump hopper, wheel barrow, or other receptacle. The mixer should always be used on a horizontal surface so it is secure and stable.

Water Connections

- Close the water accessory shut-off ball valve (DB).

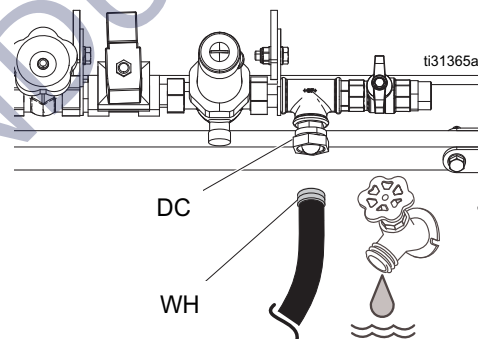


- Ensure the water supply pressure is between 30-100 psi. The water pressure regulator (DD) has been preset to 30 psi and does not usually require adjustment.



NOTE: The water pressure regulator (DD) reduces the supply pressure to a constant value so that the water metering valve (DF) does not need to be adjusted due to fluctuations in supply pressure. The water pressure regulator (DD) must be set below the minimum pressure expected from the water supply(s) used, and if necessary can be set down to 25 psi (1.6 bar, 0.16 MPa).

- Connect water supply hose (WH) to water supply inlet (DC).



- Turn on water supply.

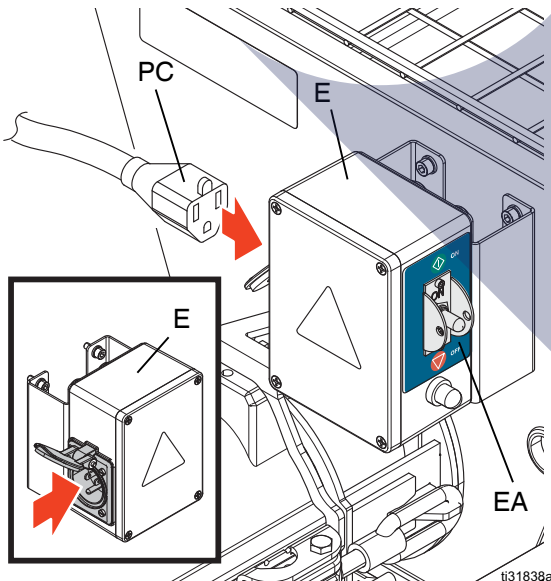
Electrical Components

NOTE: Certain 120 V GFCI outlets have been known to trip while using this product. GFCI outlets have a range of sensitivities. Motor controllers can cause false trips of GFCI outlets. If you experience issues while using this product, switch to a different GFCI model.

| Power Supply Requirements | | |
|---------------------------|-----------|----------------------|
| Model | Voltage | Circuit Protection |
| 25M530 | 110-120 V | 15 A Circuit Breaker |
| 25M563 | 220-230 V | 16 A Circuit Breaker |

| Minimal Power Cord Wire Gauge | |
|-------------------------------|------------------|
| Length (ft) | Wire Gauge (AWG) |
| 25 | 16 |
| 50 | 12 |
| 100 | 10 |

1. Only use a grounded power cord. Plug the cord into the wall outlet.
2. Verify that the On/Off switch (EA) is in the OFF position. Plug the power cord (PC) to the electrical box (E).



Grounding






The equipment must be grounded to reduce the risk of static sparking and electric shock. Electric or static sparking can cause fumes to ignite or explode. Improper grounding can cause electric shock. Grounding provides an escape wire for the electric current.

The system is grounded through the power cord (PC).

Operation

| | | | | |
|---|---|---|--|--|
|  |  |  | | |
| <p>To help prevent injury from moving parts, do not operate with the grate (H) or mixing tube (FA) removed.</p> | | | | |

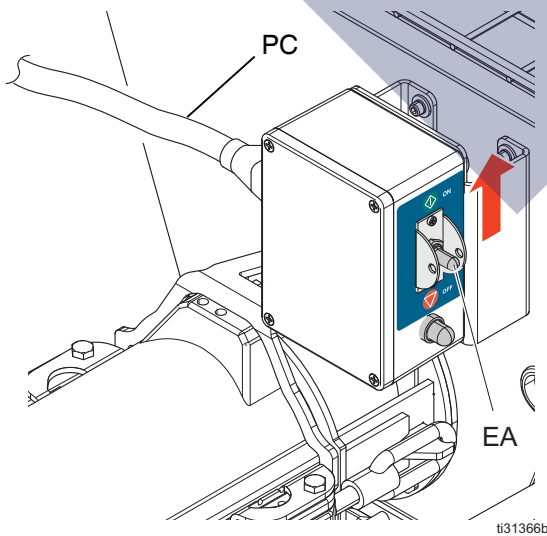
1. Complete **Setup**, page 7.
2. Fill the hopper (A) with dry material.

| | | | | |
|---|---|---|--|--|
|  |  |  | | |
| <p>Adding material to the hopper generates clouds of dust and exposes the user to the sharp teeth on the hopper grate (H). Always wear protective equipment when adding material to the hopper.</p> | | | | |

Set the bag in the center of the hopper grate (H) so the bag breaker teeth engage the center of the bag. Twist the bag approximately 15 degrees in both directions to rip the bag open. Lift both ends of the bag so the dry materials falls out of the bag and into the hopper.

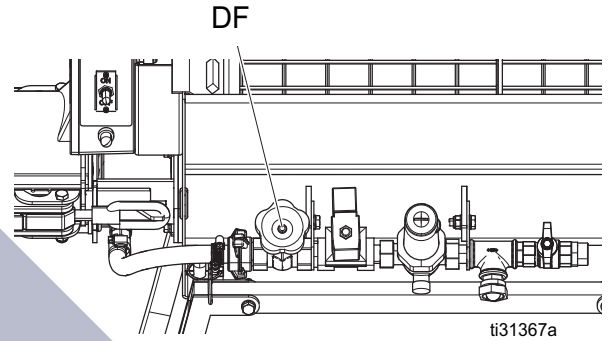
NOTE: Keep hopper level as close to the grate as possible to achieve maximum output and consistent water content.

3. Turn the unit on by moving switch (EA) into the ON position.



NOTE: The water control solenoid (DE) will automatically open when the unit is turned on.

4. Adjust the water metering valve (DF) until the material is the correct consistency.



NOTE: It takes time for the mixed material to travel through the tube. Avoid making over-adjustments. Make small adjustments and wait 10-15 seconds to allow the material to travel through the tube before making another adjustment.

5. If desired, pause the output during operation by starting and stopping the unit using the On/Off switch (EA).

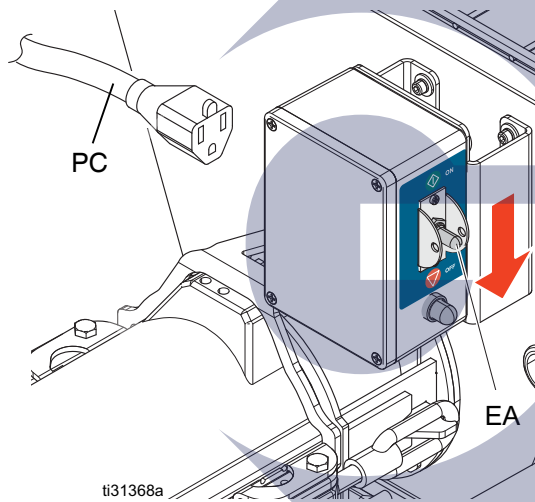
| |
|--|
| NOTICE |
| <p>To prevent damage to mix-head assembly, do not allow material to cure in mix-head assembly. Follow Changing Material and Storing Equipment, page 14.</p> |

Shutdown



Avoid contact with the discharge nozzle (FF), mix shaft (FB), and material dosing auger shaft (FD) during shut down. These parts can pull in, crush, cut, or amputate fingers and other body parts.

1. Let the hopper run out of dry material.
2. Turn off the water supply while mixer is running to relieve pressure.
3. Turn the unit off by flipping the switch to the OFF position.



4. Unplug the power cord (PC) from the mixer.
5. Depressurize/drain water control assembly (D) by opening water accessory ball valve.

NOTICE

To prevent damage to the water control assembly (D), drain water from unit if it is to be stored for extended periods of time or in freezing temperatures. Follow **Changing Material and Storing Equipment**, page 14.

6. Disconnect water supply.
7. Disconnect the motor power cable (CB).

NOTICE

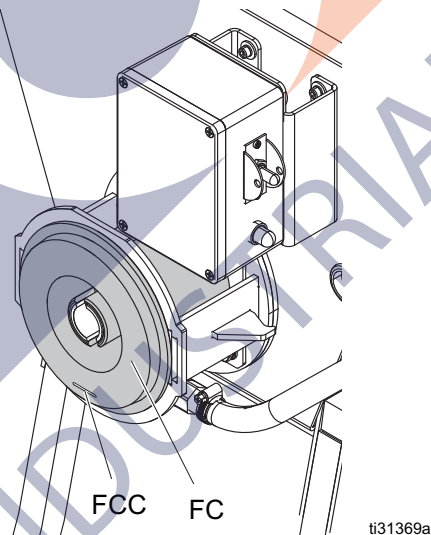
To prevent damage to mix-head assembly, do not allow material to cure in mix-head assembly.

8. Disengage both mix tube toggle latches (FAA) and remove mix-head assembly (F).



Do not use pressurized water jets to clean electrical box, motor, capacitors, or wires. Use of pressurized water jets can cause water to enter the electrical controls and increase potential for electric shock.

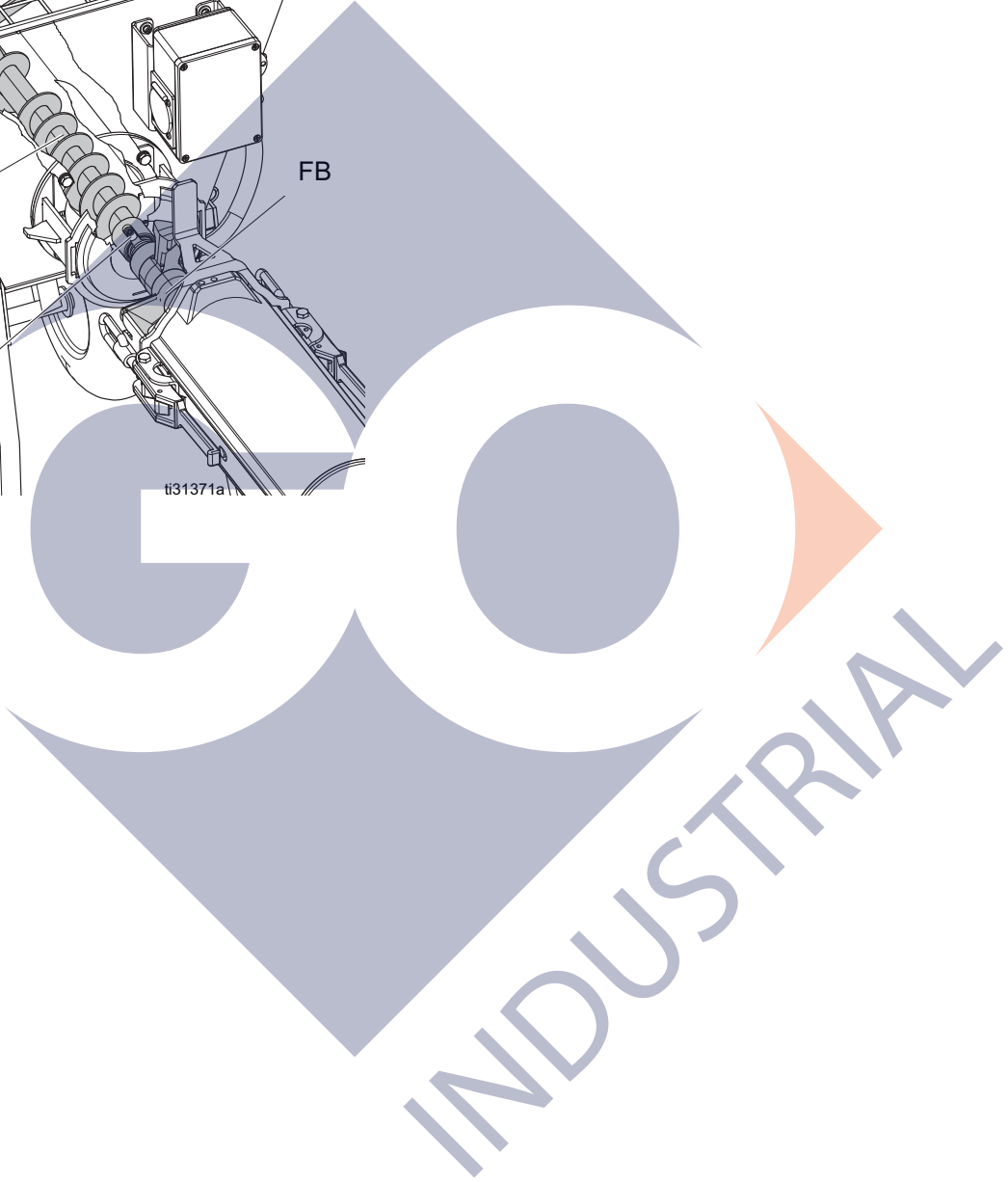
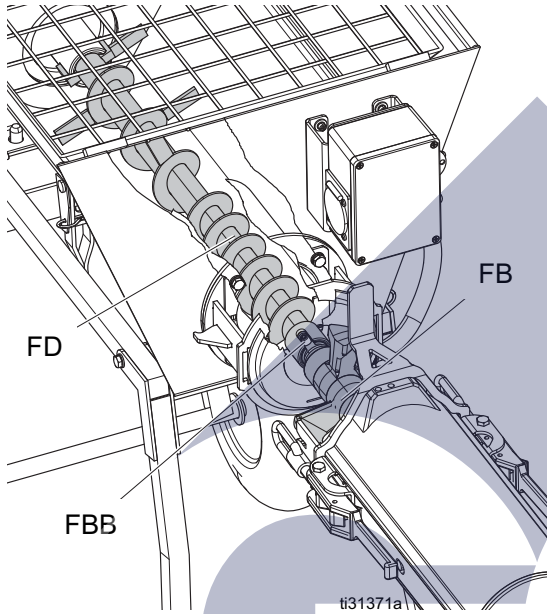
9. Pull the mixing shaft (FB) out of the mixing tube (FA) and flush both with water and a brush. Make sure all of the mixing elements on the mixing shaft are clean.
10. Clean the face of the throat insert (FC).





11. Clean out water dosing port (FCC).



12. Reinstall the mixing tube assembly onto the throat insert. Ensure the pins (FBB) on the mixing shaft (FB) line up with the slots in the material dosing shaft (FD).

NOTE: Hopper lid accessory (17T019) can be used to keep excess material in hopper dry.



Changing Material and Storing Equipment

| | | | | |
|---|---|--|--|--|
|  |  | | | |
| <p>Avoid contact with the discharge nozzle (FF), mix shaft (FB), and material dosing auger shaft (FD) during preparation for changing material or storing equipment. These parts can pull in, crush, cut, or amputate fingers and other body parts.</p> | | | | |

| | | | | |
|--|---|--|--|--|
|  |  | | | |
| <p>Do not use pressurized water jets to clean electrical box, motor, capacitors, or wires. Use of pressurized water jets can cause water to enter the electrical controls and increase potential for electric shock.</p> | | | | |

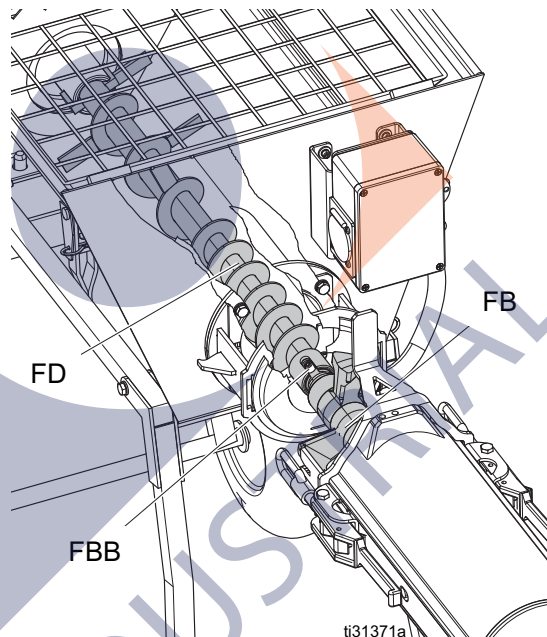
1. Follow **Shutdown**, page 12, steps 1-11. Do not reconnect fittings or reinstall mixing tube.
2. Vacuum and/or hose down the hopper and dosing shaft. Make sure all the dosing/breaker elements are clean.

| |
|--|
| NOTICE |
| <p>If water is used to clean hopper (A) or material dosing auger shaft (FD), allow equipment to fully dry before placing more dry material in the hopper. A wet hopper or auger shaft can cause dry material to cure onto mixer parts.</p> |

3. **For storage and use in freezing temperatures:** Drain the water. Remove twist-claw irrigation fitting (DG) and open water accessory ball-valve (DB). Carefully tilt the unit to allow water to drain from both ends of the water control assembly (D), which is separated by the closed water control solenoid (DE). Ensure water has also been drained from the water output hose and water dosing port (FCC) in the throat insert (FC).

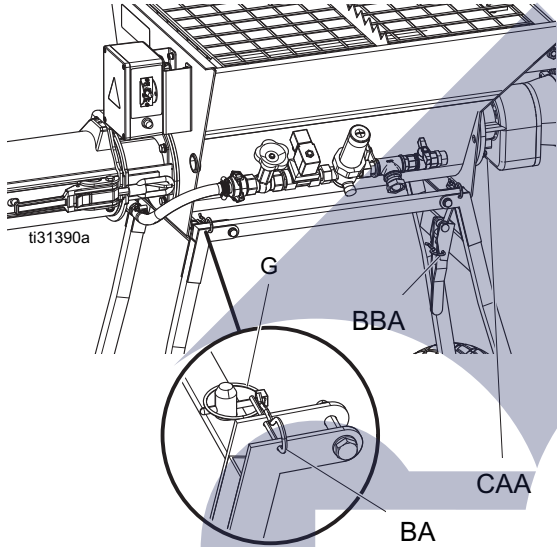
| |
|---|
| NOTICE |
| <p>If working in a cold environment, failure to drain water from the water control assembly (D) could cause damage to the system due to freezing water.</p> |

4. Reconnect all fittings and reinstall the mixing tube assembly onto the throat insert. Ensure the pins (FBB) on the mixing shaft (FB) line up with the slots in the material dosing shaft (FD).



Remove Mixer from Cart Stand

1. Follow the **Shutdown** procedure on page 12, then perform the **Changing Material and Storing Equipment** procedure on page 14.
2. Make sure both frame pins (BA) are in place.

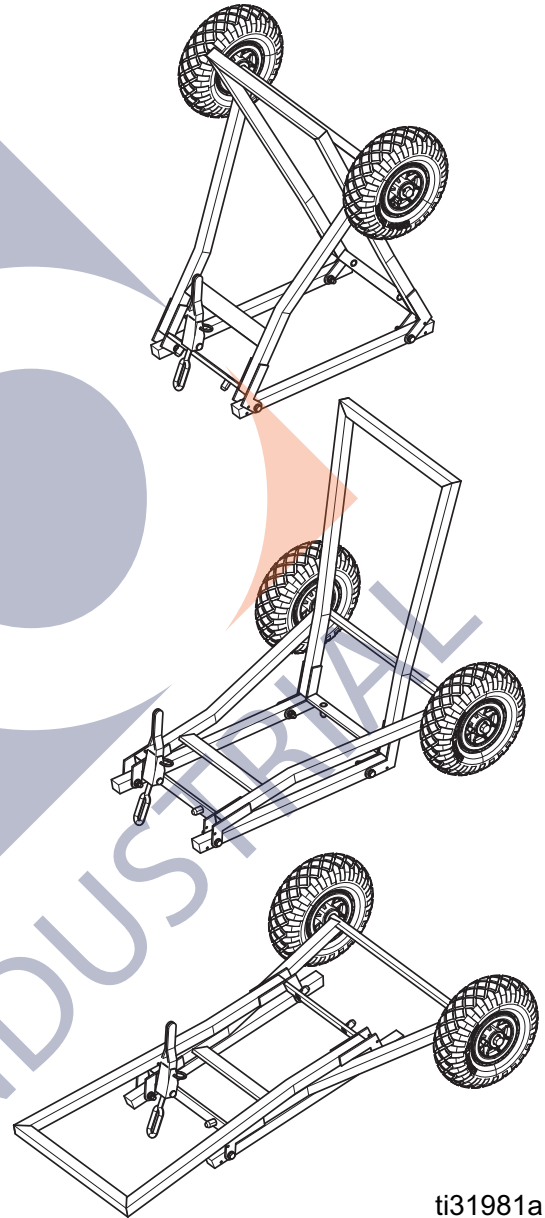


3. Remove the motor:
 - a. Disconnect the motor power cable (CB).
 - b. Remove the rear toggle-latch clip (BBA), then open the rear toggle latch (BB).
 - c. Support the motor, then remove the motor alignment pin clip (CAA), motor alignment pin washer (CAB), and the motor alignment pin (CA). Set the motor aside.
4. Disengage both mixing tube toggle latches (FAA) and remove the mix-head assembly (F).
5. Remove hopper ring pins (G).
6. Remove mixer. Lift the mixer off of the stand.



Be sure to properly support the mixer with a two-person lift during removal. Do not suspend from crane or hoist. The mixer is heavy and can crush fingers and other body parts.

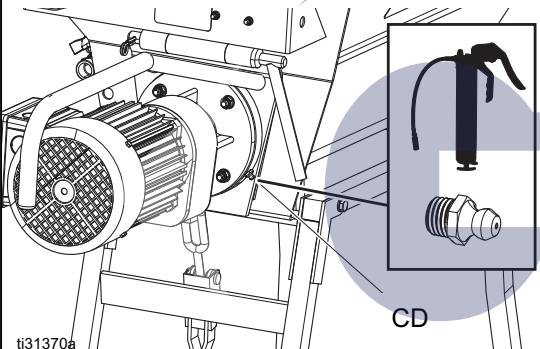
7. If desired, fold the cart stand for storage convenience.
 - a. Remove frame pins (BA).
 - b. Flip the cart stand upside down and lay on a level surface.
 - c. Align cart stand legs and fold together.



8. For assembly, see **Assemble Unit**, page 7.

Maintenance

Preventive Maintenance Schedule

| Routine Inspection | | Frequency |
|--|---|---|
| Ensure all protective clips, ring pins, latches, grating, fasteners, housings, and enclosures are installed and in good working order, functioning properly, and free of excessive wear, cracks, or corrosion. | | Before every use |
| Ensure all electrical components, cabling, and motor are properly assembled so that they are sealed from water ingress, free of debris, and in good working order. | | |
| Ensure all warning labels are clean and easily readable. | | |
| Grease | | Frequency |
| Motor grease fitting (CD)  | Shell Gadus S2 V220 2 (formerly Shell Retinax EP2) or an equivalent NLGI Grade 2 grease compatible with rubber. Ensure any grease used is compatible. Do not mix grease types. | Monthly |
| Gear-box | CLP ISO VG220 gear oil or equivalent. Ensure any oil used is compatible. Do not mix oil types. | 10,000 hours or 3 years (whichever comes first) |

Disposal

At the product's end-of-life, recycle the equipment in a responsible manner, per local regulations.

- The series A 25M530 mixer motor contains electronic circuit boards that may need to be removed and recycled separately from other components.
- Mixers contain lubricating grease in the motor coupler joint and in the gear-box. This grease may need to be flushed/draind and recycled separately from other components.

Troubleshooting



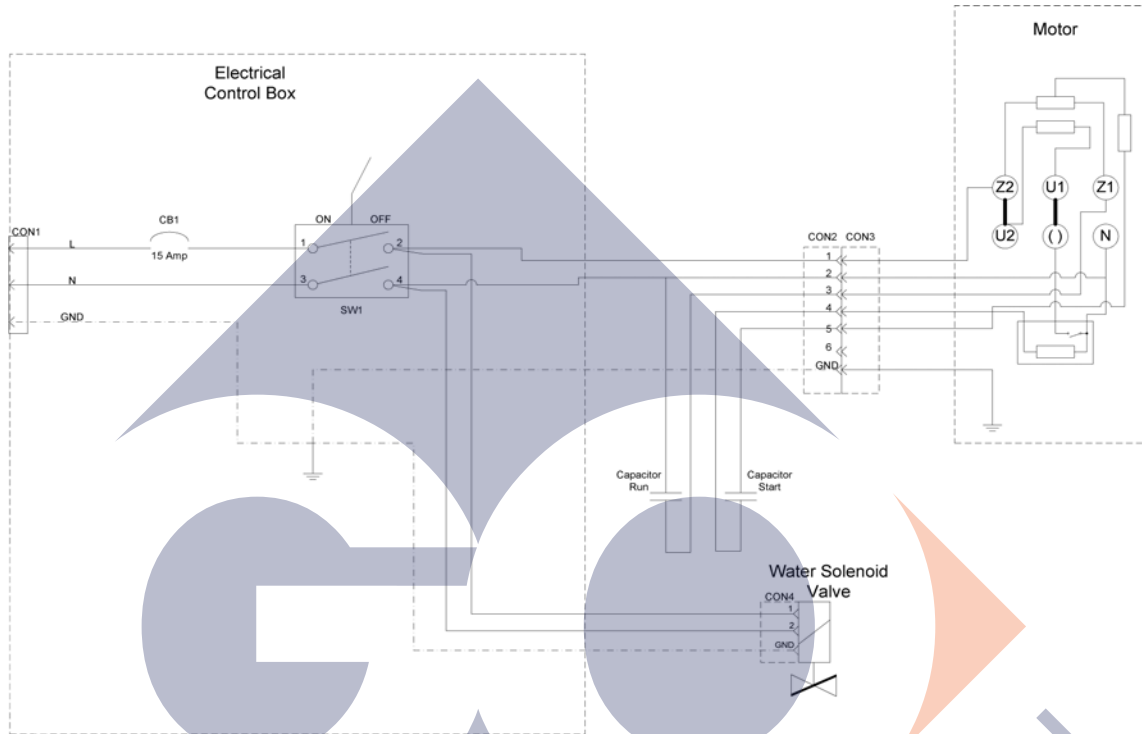
1. Follow **Shutdown**, page 12, before checking or repairing mixer.

| Problem | Cause | Solution |
|---|---|--|
| Poor mix quality | Mixing shaft configuration can significantly affect mix quality. | Reconfigure mixing shaft. Refer to Mixing Shaft Factory Configuration , page 21, for recommended configuration. |
| | Buildup of cured material. | Clean any debris or cured material on or inside the motor coupler, dosing auger, mix shaft, throat insert, or mix tube assembly. |
| Excessive wear on mix tube end cap, or mixing element at the discharge end. | The Mixing Shaft Bushing needs to be replaced. | Replace mixing shaft bushing. |
| | Aggregate is too large. | Refer to Technical Specifications , page 31, for maximum aggregate size. |
| Motor will not run | 120 V model only: The mixer has been installed on a GFCI circuit. | Check to see if a GFCI circuit is in use and has tripped. If a GFCI circuit has tripped, connect to an outlet with a different GFCI model. NOTE: Certain 120 V GFCI outlets have been known to trip while using this product. GFCI outlets have a range of sensitivities. Motor controllers can cause false trips of GFCI outlets. |
| | The circuit breaker has tripped. | Reset circuit breaker switch (EB). |
| | Main power has turned off. | Check all cord connections are secure and voltage is correct. |
| | Motor power cable (CA) is disconnected. | Reconnect motor power cable (CA). |
| Motor stalling or, failing to get to full speed | Excessive tension/friction on the mix shaft and dosing auger. | Loosen both mix tube toggle latches (FAA). The latches are too tight if the metal frame on the mix tube bows outwards. |
| | | Loosen the motor toggle latch if it is too tight. |
| | | Clean any debris or cured material on or inside the motor coupler, dosing auger, mix shaft, throat insert, or mix tube assembly. |
| | Material in mix tube has fully or partially cured. | Follow the Shutdown procedure (page 12) and retry. |

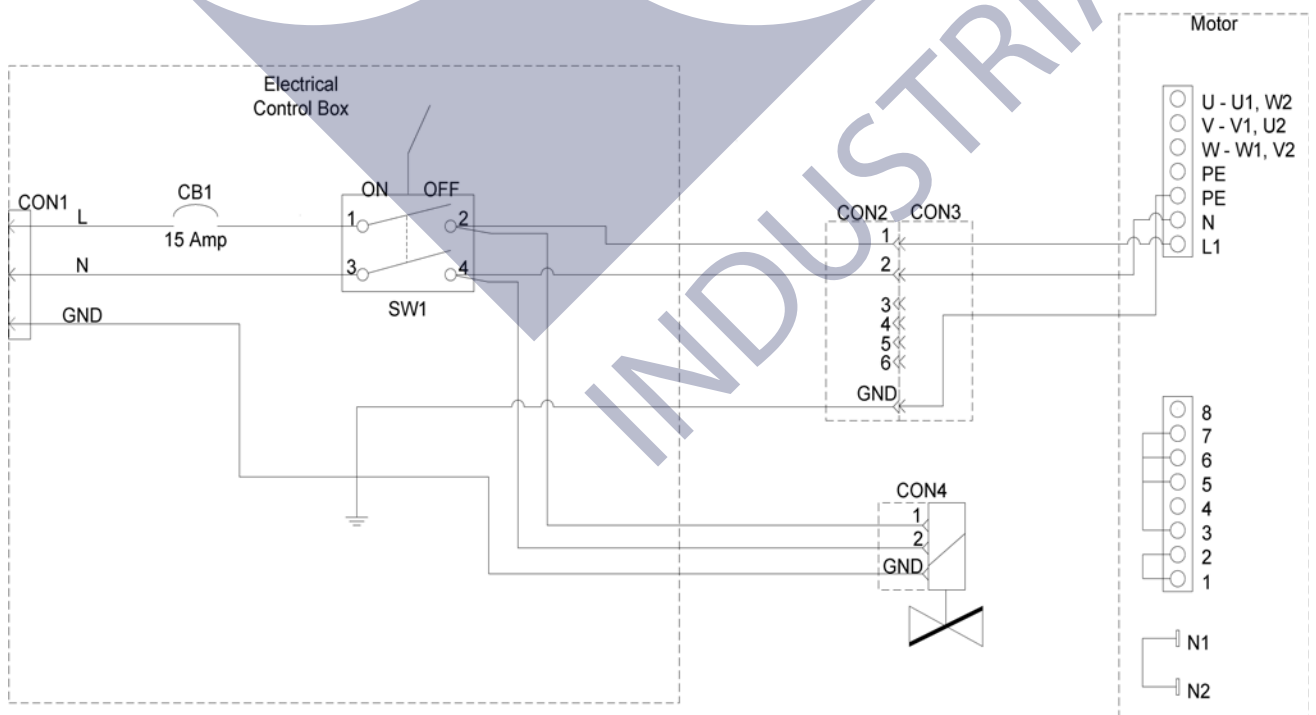
| Problem | Cause | Solution | |
|---|--|---|--|
| Material water consistency | Inlet water pressure is fluctuating below the regulator-set pressure. | The water pressure regulator (DD) reduces the pressure at the water metering valve (DF) to a constant value. Adjust the water pressure regulator (DD) so the pressure is less than the lowest pressure possible from water supply. | |
| | Water pressure and flow is constant, but there is less dry material entering mix tube. | There is not enough dry material in the hopper. Add more dry material to the hopper, and keep adding dry material to maintain the level as close to the hopper grate as possible. The material dosing auger shaft (FD) is dirty or worn and needs to be cleaned or replaced. | |
| | There is a debris in the water control assembly (D). | | Verify the water inlet screen (DCC) is in place and that it is clean. |
| | | | Disassemble the water assembly and clean any debris. Clean debris from water dosing port (FCC). |
| Water does not turn on, low flow, or water does not turn off. | Solenoid damaged or clogged with debris. | Clean or replace water control solenoid (DE). | |
| | Incorrect solenoid installed. | The solenoid must be “normally closed” type. Use only genuine Graco replacement parts. | |
| | There is debris in the water control assembly (D). | Verify the water inlet screen (DCC) is in place and that it is clean. | |
| | Disassemble the water control assembly (D) and clean any debris. | Clean debris from water dosing port (FCC). | |

Schematics

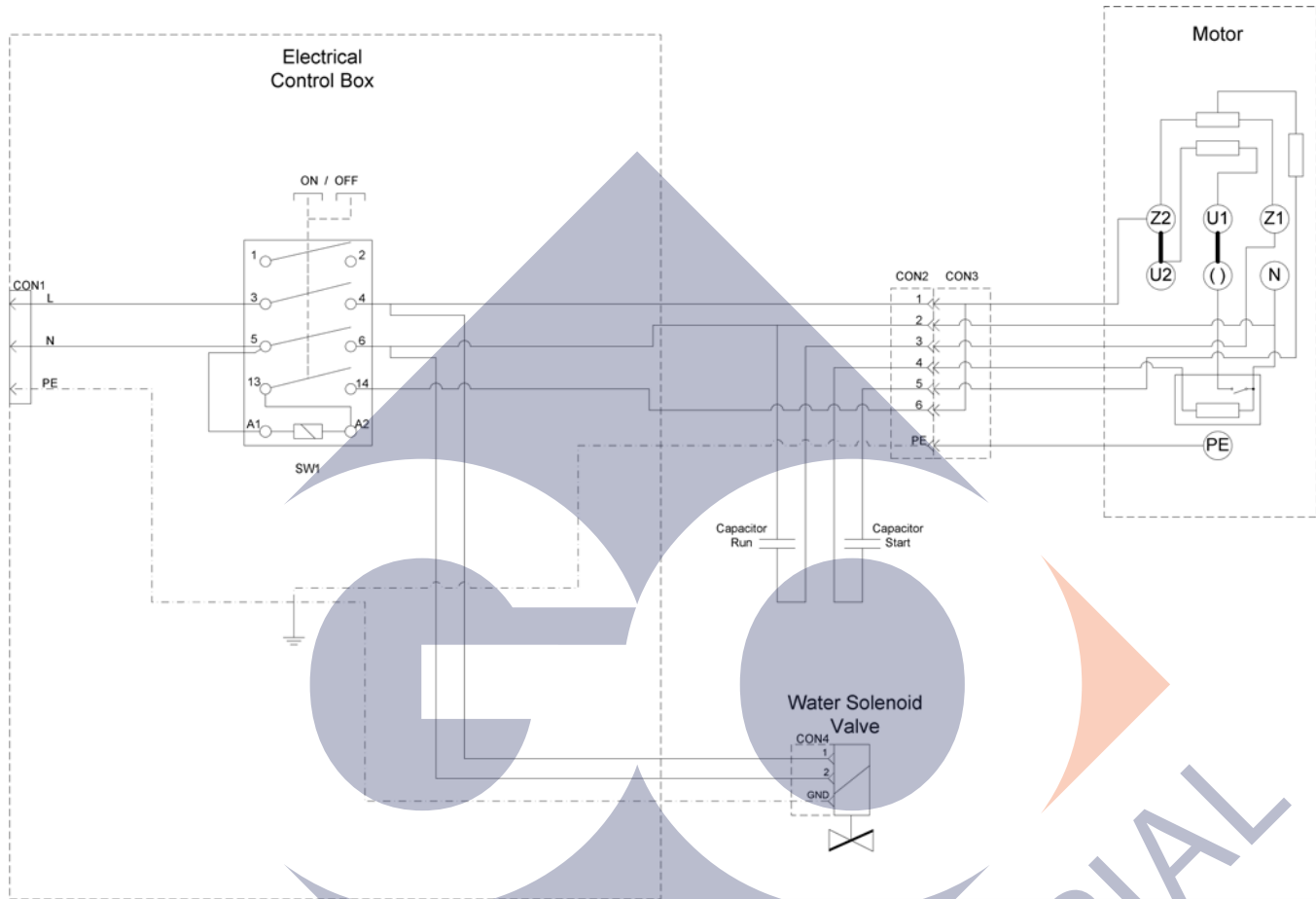
25M530 (120 Volt) Series B



25M530 (120 Volt) Series A



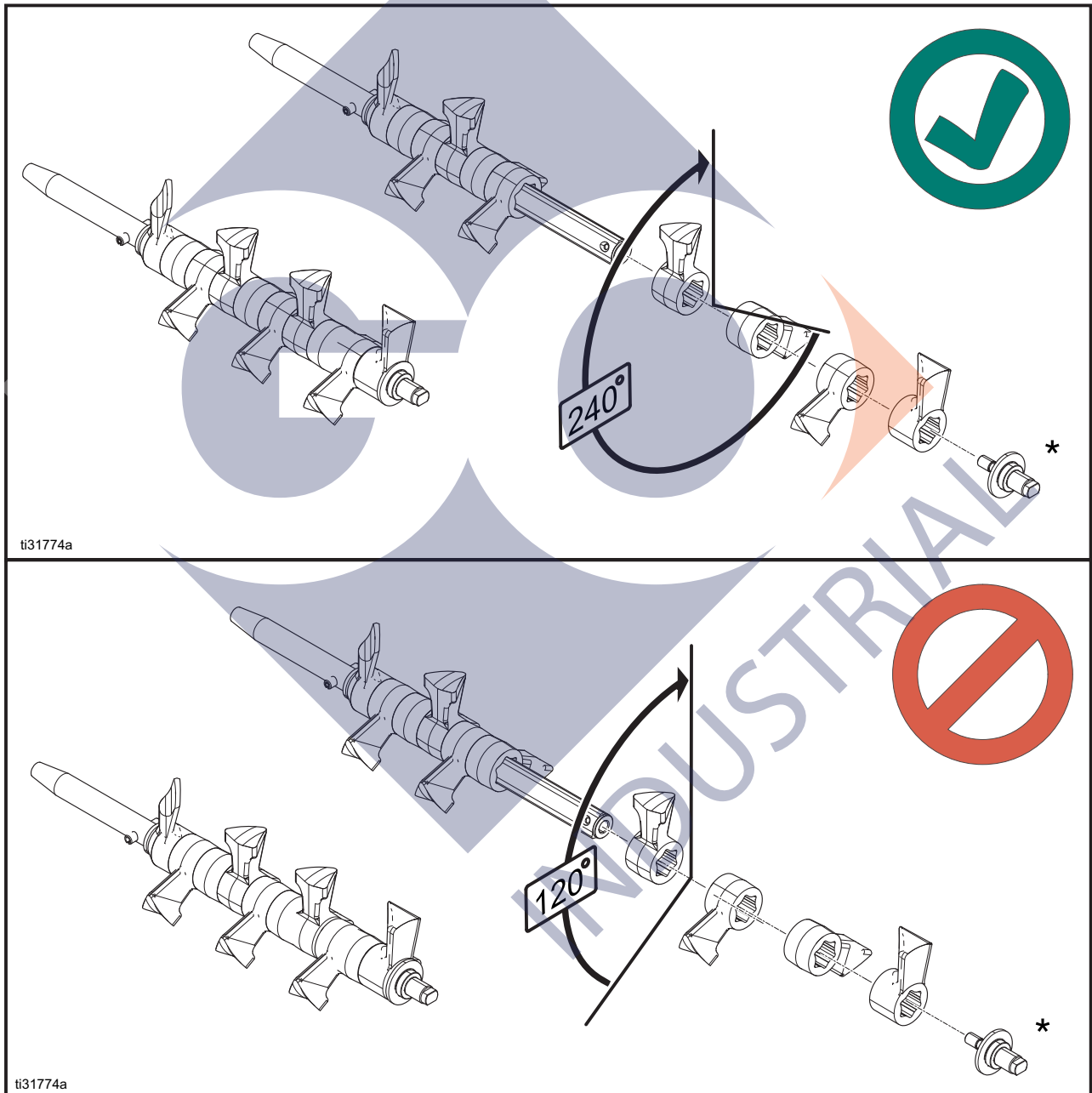
25M563 (230 Volt)



Mixing Shaft Factory Configuration

The factory configuration of the mix shaft assembly works well for most common, pump-grade stucco materials. The configuration of the shaft can be changed if an alternate configuration is desired.

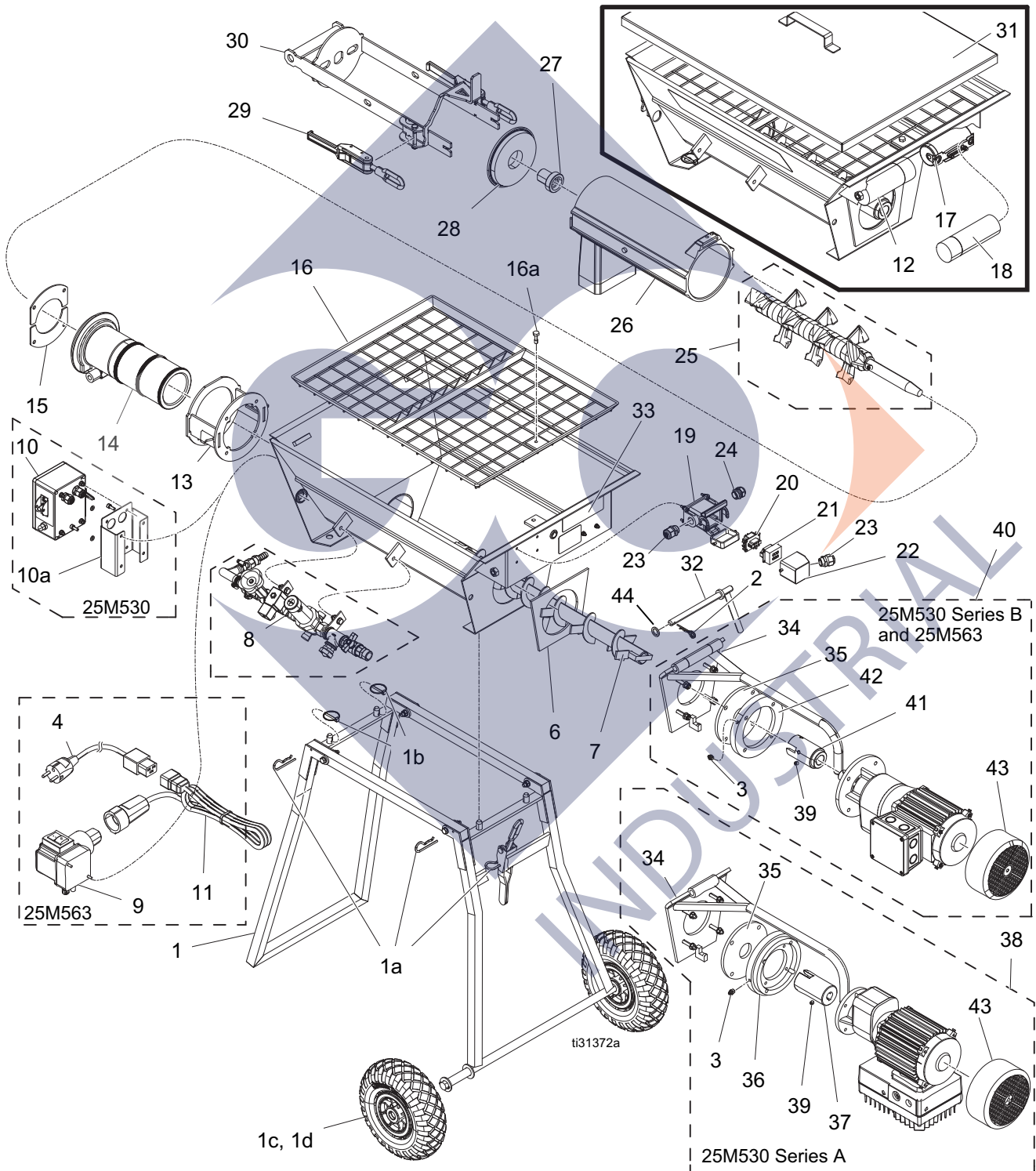
For most materials, it is recommended to reduce starting torque by positioning the pointed ends of the mixing elements so that they are on the leading edge. However, for very thin materials, positioning some or all of the mixing elements so that the blunt ends are on the leading edge may improve the mix quality.



* The mix shaft retainer has a left-handed thread to ensure it does not disassemble during operation. To loosen retainer, rotate clockwise.

Parts

Mixer Assembly



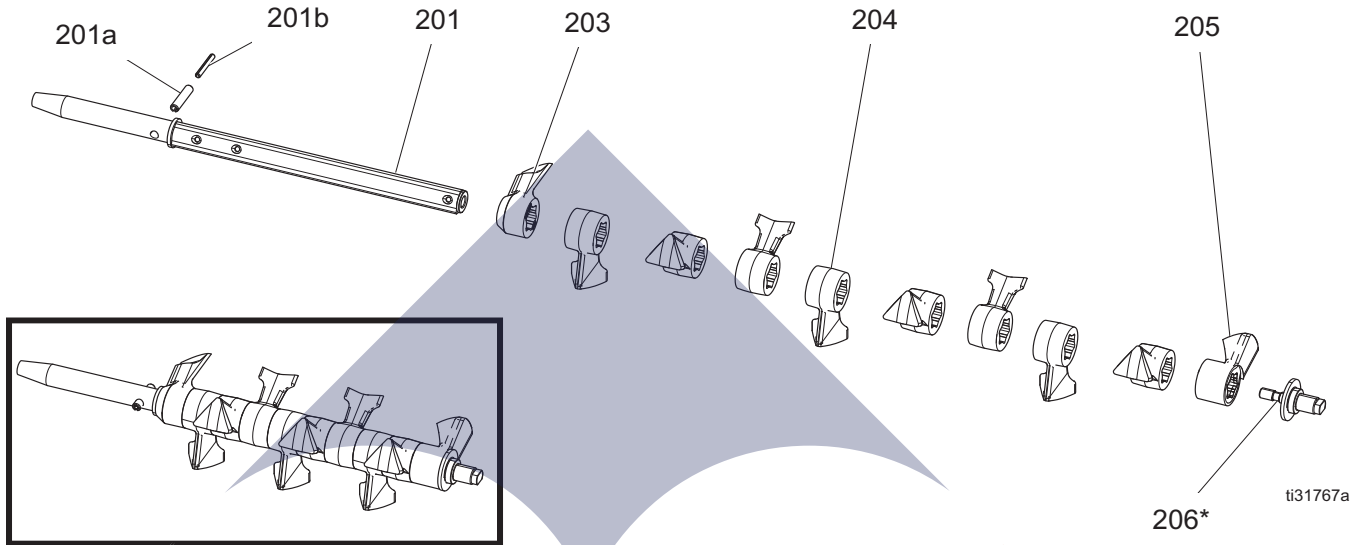
| Ref. | Part | Description | Qty. | 120V | | 230V |
|------|--------|--|------|----------|---------|---------|
| | | | | 25M530 | | 25M563 |
| | | | | Series A | Current | Current |
| 1 | 17T341 | KIT, cart, foldable, mixer | 1 | 1 | 1 | 1 |
| 1a | 17T331 | KIT, clip, hitch | 1 | 3 | 3 | 3 |
| 1b | 17T440 | KIT, pin, ring | 1 | 2 | 2 | 2 |
| 1c | 17T444 | KIT, wheel, pneumatic | 1 | 2 | 2 | 2 |
| 1d | 17T467 | KIT, tube, inner | 1 | 2 | 2 | 2 |
| 2 | 17T334 | KIT, clip, hitch, low profile | 1 | 1 | 1 | 1 |
| 3 | 17T513 | FITTING, grease, m8x1 | 1 | 1 | 1 | 1 |
| 4 | 15G958 | CORD SET, adaptor, Europe, 1.5 mm | 1 | - | - | 1 |
| 6 | 17T442 | KIT, gasket, hopper, motor | 1 | 1 | 1 | 1 |
| 7 | 17T470 | KIT, auger, dosing, 55 mm, black | 1 | - | 1 | 1 |
| | 17T514 | KIT, auger, dosing, 45 mm, blue | 1 | 1 | - | - |
| 8 | 17T350 | KIT, module, water control, 120V | 1 | 1 | 1 | - |
| | 17T506 | KIT, module, water control, 230V | 1 | - | - | 1 |
| 9 | 17T508 | KIT, control box, 230V | 1 | - | - | 1 |
| 10 | 17T351 | KIT, control box, 120V | 1 | 1 | 1 | - |
| 10a | 17T366 | KIT, bracket, control box | 1 | 1 | 1 | - |
| 11 | 17T391 | KIT, cord, iec c20, euro type f | 1 | - | - | 1 |
| 12 | 17T349 | KIT, capacitor, 80 µf, stud (run), (120 V system) | 1 | - | 1 | - |
| | 17T505 | KIT, capacitor, 50 µf stud (run), (230 V system) | 1 | - | - | 1 |
| 13 | 17T342 | KIT, collar, mounting, mix head | 1 | 1 | 1 | 1 |
| 14 | 17T443 | KIT, insert, throat, dosing zone | 1 | 1 | 1 | 1 |
| 15 | 17T330 | KIT, plate, clamp, collar | 2 | 2 | 2 | 2 |
| 16 | 17T441 | KIT, grate, hopper | 1 | 1 | 1 | 1 |
| 16a | 17T327 | KIT, fastener, captured | 1 | 1 | 1 | 1 |
| 17 | 17T352 | KIT, capacitor, 216 µf (start), (120 V system) | 1 | - | 1 | - |
| 18 | 17T504 | KIT, capacitor, 125 µf, stud (start), (230 V system) | 1 | - | - | 1 |
| 19 | 17T446 | KIT, housing, socket, 6-pin | 1 | 1 | 1 | 1 |
| 20 | 17T448 | KIT, connector, socket, 6-pin | 1 | 1 | 1 | 1 |
| 21 | 17T449 | KIT, connector, plug, 6-pin | 1 | 1 | 1 | 1 |
| 22 | 17T335 | KIT, housing, plug, 6-pin | 1 | 1 | 1 | 1 |
| 23 | 17T447 | KIT, grip, cord | 1 | 1 | 1 | 1 |
| 24 | 17T346 | KIT, grip, cord, 2-wire | 1 | 1 | 1 | 1 |
| 25 | 17T457 | KIT, shaft, mix assembly | 1 | 1 | 1 | 1 |
| 26 | 17T459 | KIT, sleeve, mix tube | 1 | 1 | 1 | 1 |
| 27 | 17T456 | KIT, bushing, bearing, mix shaft | 1 | 1 | 1 | 1 |
| 28 | 17T455 | KIT, cap, mix tube | 1 | 1 | 1 | 1 |
| 29 | 17T468 | KIT, latch, toggle | 1 | 2 | 2 | 2 |
| 30 | 17T458 | KIT, frame, mix head | 1 | 1 | 1 | 1 |
| 31 | 17T019 | ACCESSORY, lid, hopper (not included) | 1 | - | - | - |

Parts

| Ref. | Part | Description | Qty. | 120V | | 230V |
|------|--------|------------------------------------|------|----------|---------|---------|
| | | | | 25M530 | | 25M563 |
| | | | | Series A | Current | Current |
| 32 | 17T333 | KIT, pin, motor, alignment | 1 | 1 | 1 | 1 |
| 33▲ | 17M606 | LABEL, warning, entanglement | 1 | 1 | 1 | 1 |
| 34 | 17T332 | KIT, bracket, motor mount | 1 | 1 | 1 | 1 |
| 35 | 17T445 | KIT, seal, motor coupler | 1 | 1 | 1 | 1 |
| 36 | 17T600 | KIT, flange, ring, adaptor | 1 | 1 | - | - |
| 37 | 17T515 | KIT, coupler, motor vfd | | 1 | - | - |
| 38 | 17T516 | KIT, motor, gear, vfd, mounted | | 1 | - | - |
| 39 | ----- | KIT, set, screw, m8 x 1.25 x 10 mm | 1 | 1 | 1 | 1 |
| 40 | 17T367 | KIT, motor, 120 V/60 Hz, mounted | 1 | - | 1 | - |
| | 17T507 | KIT, motor, 230 V/50 Hz, mounted | 1 | - | - | 1 |
| 41 | 17T345 | KIT, coupler, motor | 1 | - | 1 | 1 |
| 42 | 17T339 | KIT, flange, ring, motor mount | 1 | - | 1 | 1 |
| 43 | 17T368 | KIT, cover, motor fan, 150 mm | 1 | 1 | 1 | - |
| | 17T512 | KIT, cover, motor fan, 170 mm | 1 | - | - | 1 |
| 44 | ----- | WASHER, flat, 15 mm | 1 | 1 | 1 | 1 |

▲ Replacement Danger and Warning labels, tags, and cards are available at no cost.

Mixing Shaft Assembly (17T457)

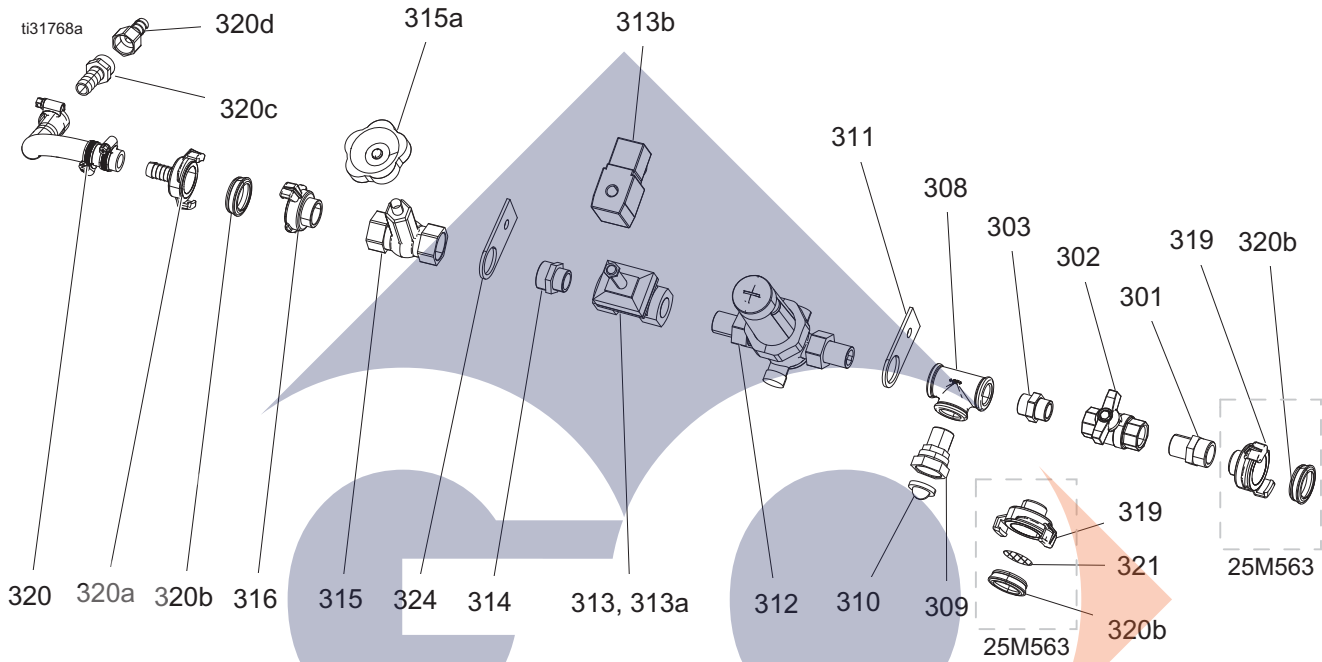


| Ref. | Part | Description | Qty. | 120V | | 230V |
|------|--------|---|------|----------|---------|---------|
| | | | | 25M530 | | 25M563 |
| | | | | Series A | Current | Current |
| 201 | 17T460 | KIT, shaft, mix, bare | 1 | 1 | 1 | 1 |
| 201a | 17T464 | KIT, pin, roll, 10 mm x 45 mm long | 1 | 1 | 1 | 1 |
| 201b | 17T465 | KIT, pin, roll, 6 mm x 45 mm long | 1 | 1 | 1 | 1 |
| 203 | 17T461 | KIT, element, mix wing, inlet | 1 | 1 | 1 | 1 |
| 204 | 17T466 | KIT, element, mixing wing | 1 | 8 | 8 | 8 |
| 205 | 17T463 | KIT, element, mix wing, outlet | 1 | 1 | 1 | 1 |
| 206* | 17T462 | KIT, retainer, mix shaft, M12 left-handed | 1 | 1 | 1 | 1 |

* The mix shaft retainer has a left-handed thread to ensure it does not disassemble during operation. To loosen retainer, rotate clockwise.

Water Control Assembly

17T350 (120 V), 17T506 (230 V)

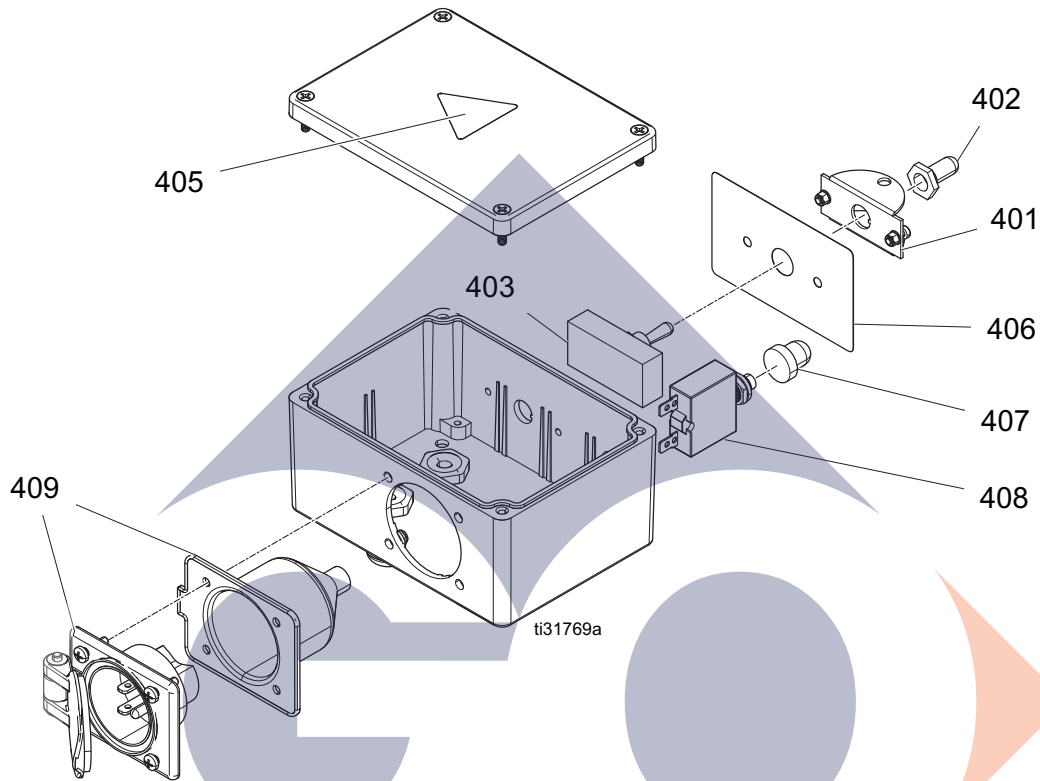


| Ref. | Part | Description | Qty. | 120V | | 230V |
|------|--------|--|------|----------|---------|---------|
| | | | | 25M530 | | 25M563 |
| | | | | Series A | Current | Current |
| 301 | 17T355 | KIT, fitting, gh, male | 1 | 1 | 1 | - |
| 302 | 17T451 | KIT, valve, ball | 1 | 1 | 1 | 1 |
| 303 | 125408 | FITTING, nipple | 1 | 1 | 1 | 1 |
| 308 | 101846 | FITTING, tee, 1/2 pipe | 1 | 1 | 1 | 1 |
| 309 | 17T354 | KIT, fitting, gh, female, swivel | 1 | 1 | 1 | - |
| 310 | 17T426 | KIT, screen, filter, gh | 1 | 1 | 1 | - |
| 311 | 17T337 | KIT, bracket, wc assembly, right | 1 | 1 | 1 | 1 |
| 312 | 17T450 | KIT, regulator, pressure | 1 | 1 | 1 | 1 |
| 313 | 17T353 | KIT, solenoid, valve, 120 V | 1 | 1 | 1 | - |
| | 17T510 | KIT, solenoid, valve, 230 v | 1 | - | - | 1 |
| 313b | 17T357 | KIT, coil, solenoid valve, 120 v | 1 | 1 | 1 | - |
| | 17T511 | KIT, coil, solenoid valve, 230 v | 1 | - | - | 1 |
| 314 | 17T338 | KIT, fitting, reducer, 3/4 to 1/2 pipe | 1 | 1 | 1 | 1 |
| 315 | 17T452 | KIT, valve, needle | 1 | 1 | 1 | 1 |
| 315a | 17T469 | KIT, handle, needle valve | 1 | 1 | 1 | 1 |
| 316 | 17T453 | KIT, fitting, Geka x 3/4 in. bsp | 1 | 1 | 1 | 1 |
| 319 | 17T509 | KIT, fitting, Geka x 1/2" bsp | 1 | - | - | 2 |
| 320 | 17T340 | KIT, hose, outlet assembly | 1 | 1 | 1 | 1 |
| 320a | 17T454 | KIT, fitting, Geka x 1/2" barb | 1 | 1 | 1 | 1 |

| Ref. | Part | Description | Qty. | 120V | | 230V |
|------|--------|---------------------------------|------|----------|---------|---------|
| | | | | 25M530 | | 25M563 |
| | | | | Series A | Current | Current |
| 320b | 17T438 | KIT, gasket, Geka | 1 | 1 | 1 | 1 |
| 320c | 17T329 | KIT, fitting, barb, male | 1 | 1 | 1 | 1 |
| 320d | 17T328 | KIT, fitting, barb, female | 1 | 1 | 1 | 1 |
| 321 | 17T356 | KIT, screen, filter, Geka | 1 | - | - | 1 |
| 324 | 17T336 | KIT, bracket, wc assembly, left | 1 | 1 | 1 | 1 |



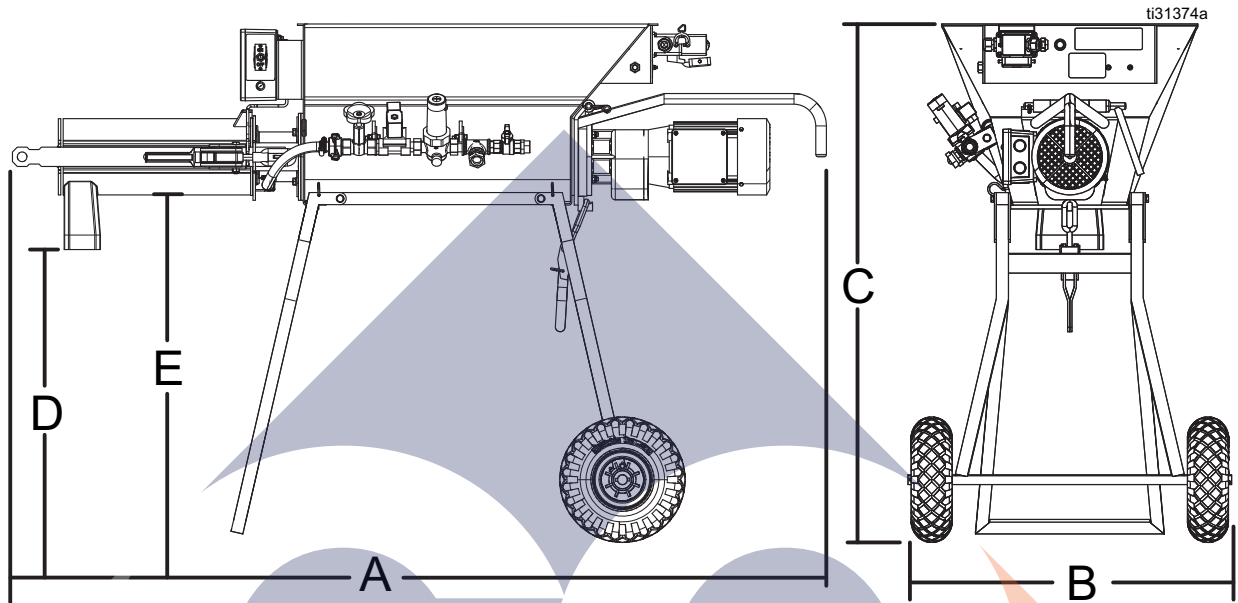
120 V Control Box Assembly (17T351)



| Ref. | Part | Description | Qty. | 120V | | 230V |
|------|--------|------------------------------------|------|----------|---------|---------|
| | | | | 25M530 | | 25M563 |
| | | | | Series A | Current | Current |
| 401 | 17T364 | KIT, guard, toggle switch | 1 | 1 | 1 | ----- |
| 402 | 17T362 | KIT, boot, toggle switch | 1 | 1 | 1 | ----- |
| 403 | 17T425 | KIT, switch, toggle | 1 | 1 | 1 | ----- |
| 405▲ | 16T764 | LABEL, warning, shock | 1 | 1 | 1 | ----- |
| 406 | 17T365 | KIT, label, on-off | 1 | 1 | 1 | ----- |
| 407 | 17T423 | KIT, boot, breaker switch | 1 | 1 | 1 | ----- |
| 408 | 17T363 | KIT, circuit, breaker, 15 A/1 pole | 1 | 1 | 1 | ----- |
| 409 | 17T360 | KIT, socket, power inlet, 15 A | 1 | 1 | 1 | ----- |

▲ Replacement Danger and Warning labels, tags, and cards are available at no cost.

Dimensions



| CM20 Dimensions | | |
|-----------------|-----------|--------|
| | U.S. | Metric |
| A | 67.0 in. | 170 cm |
| B | 26.5 in. | 67 cm |
| C | 42.5 in. | 108 cm |
| D | 22.75 in. | 58 cm |
| E | 27.50 in. | 70 cm |



Technical Specifications

| ToughTek CM20 Continuous Mixers | | |
|---|---|----------------------------------|
| | US | Metric |
| Maximum water feed inlet pressure | 100 psi | 0.69 MPa, 6.9 bar |
| Maximum Motor Speed | 300 rpm (25M530 Series A), 260 rpm (25M530 Series B), 290 rpm (25M563) | |
| Output | *40 bags per hour | |
| Materials | | |
| Water-based cementitious materials with aggregate less than 0.160 in. (4 mm) in diameter. | | |
| Water Inlet Feed Pressure Requirements | | |
| Minimum Pressure | 30 psi | 0.21 MPa, 2.1 bar |
| Maximum Pressure | 70 psi | 0.48 MPa, 4.8 bar |
| Hopper Capacity | | |
| CM20 | 1.6 cubic ft (2.5-3 80 lb bags typical) | 45 liters |
| Material Construction | | |
| Wetted Components | Brass, rubber, plastic, plated steel, aluminum | |
| Weight (empty) | | |
| CM20 | 200 lb (25M530) 220 lb (25M563) | 91 kg (25M30) 100 kg (25M563) |
| Noise (dBa) | | |
| Maximum sound pressure level less than 75 db(A) A-rating emission. | | |
| Inlet/Outlet Sizes | | |
| Fluid inlet size | 3/4 in. garden hose thread, female swivel (25M530) Geka twist claw irrigation fitting (25M563) | |
| Fluid outlet size | 3/4 in. garden hose thread, male swivel (25M530) Geka twist claw irrigation fitting (25M563) | |
| Operating Ambient Temperature | | |
| Temperature | 32° to 120° F | 0° to 49° C |
| Power Requirements | | |
| 25M530 | 120 V / 60 Hz / 15 Amps | |
| 25M563 | 230 V / 50 Hz / 16 Amps | |

* 80 lb bags, base coat stucco (approximately 6 gpm).

California Proposition 65

CALIFORNIA RESIDENTS

 **WARNING:** Cancer and reproductive harm – www.P65warnings.ca.gov.

Graco Standard Warranty

Graco warrants all equipment referenced in this document which is manufactured by Graco and bearing its name to be free from defects in material and workmanship on the date of sale to the original purchaser for use. With the exception of any special, extended, or limited warranty published by Graco, Graco will, for a period of twelve months from the date of sale, repair or replace any part of the equipment determined by Graco to be defective. This warranty applies only when the equipment is installed, operated and maintained in accordance with Graco's written recommendations.

This warranty does not cover, and Graco shall not be liable for general wear and tear, or any malfunction, damage or wear caused by faulty installation, misapplication, abrasion, corrosion, inadequate or improper maintenance, negligence, accident, tampering, or substitution of non-Graco component parts. Nor shall Graco be liable for malfunction, damage or wear caused by the incompatibility of Graco equipment with structures, accessories, equipment or materials not supplied by Graco, or the improper design, manufacture, installation, operation or maintenance of structures, accessories, equipment or materials not supplied by Graco.

This warranty is conditioned upon the prepaid return of the equipment claimed to be defective to an authorized Graco distributor for verification of the claimed defect. If the claimed defect is verified, Graco will repair or replace free of charge any defective parts. The equipment will be returned to the original purchaser transportation prepaid. If inspection of the equipment does not disclose any defect in material or workmanship, repairs will be made at a reasonable charge, which charges may include the costs of parts, labor, and transportation.

THIS WARRANTY IS EXCLUSIVE, AND IS IN LIEU OF ANY OTHER WARRANTIES, EXPRESS OR IMPLIED, INCLUDING BUT NOT LIMITED TO WARRANTY OF MERCHANTABILITY OR WARRANTY OF FITNESS FOR A PARTICULAR PURPOSE.

Graco's sole obligation and buyer's sole remedy for any breach of warranty shall be as set forth above. The buyer agrees that no other remedy (including, but not limited to, incidental or consequential damages for lost profits, lost sales, injury to person or property, or any other incidental or consequential loss) shall be available. Any action for breach of warranty must be brought within two (2) years of the date of sale.

GRACO MAKES NO WARRANTY, AND DISCLAIMS ALL IMPLIED WARRANTIES OF MERCHANTABILITY AND FITNESS FOR A PARTICULAR PURPOSE, IN CONNECTION WITH ACCESSORIES, EQUIPMENT, MATERIALS OR COMPONENTS SOLD BUT NOT MANUFACTURED BY GRACO. These items sold, but not manufactured by Graco (such as electric motors, switches, hose, etc.), are subject to the warranty, if any, of their manufacturer. Graco will provide purchaser with reasonable assistance in making any claim for breach of these warranties.

In no event will Graco be liable for indirect, incidental, special or consequential damages resulting from Graco supplying equipment hereunder, or the furnishing, performance, or use of any products or other goods sold hereto, whether due to a breach of contract, breach of warranty, the negligence of Graco, or otherwise.

FOR GRACO CANADA CUSTOMERS

The Parties acknowledge that they have required that the present document, as well as all documents, notices and legal proceedings entered into, given or instituted pursuant hereto or relating directly or indirectly hereto, be drawn up in English. Les parties reconnaissent avoir convenu que la rédaction du présente document sera en Anglais, ainsi que tous documents, avis et procédures judiciaires exécutés, donnés ou intentés, à la suite de ou en rapport, directement ou indirectement, avec les procédures concernées.

Graco Information

For the latest information about Graco products, visit www.graco.com.

For patent information, see www.graco.com/patents.

TO PLACE AN ORDER, contact your Graco distributor or call to identify the nearest distributor.

Phone: 612-623-6921 or Toll Free: 1-800-328-0211 Fax: 612-378-3505

All written and visual data contained in this document reflects the latest product information available at the time of publication. Graco reserves the right to make changes at any time without notice.

Original instructions. This manual contains English. MM 3A5202

Graco Headquarters: Minneapolis

International Offices: Belgium, China, Japan, Korea

GRACO INC. AND SUBSIDIARIES • P.O. BOX 1441 • MINNEAPOLIS MN 55440-1441 • USA
Copyright 2020, Graco Inc. All Graco manufacturing locations are registered to ISO 9001.

www.graco.com
Revision G, October 2020