



# TRUECOAT 360

TRUEAIRLESS™

## QUICK GUIDE

### WARNING



Read Owner's Manual (3A9014) for complete instructions and warnings. This quick guide is not a substitute for reading and understanding all instruction manuals and warning labels supplied with the equipment. Manuals are available at [graco.com](http://graco.com)



Follow pressure relief procedure and wear protective equipment including but not limited to protective eye wear.



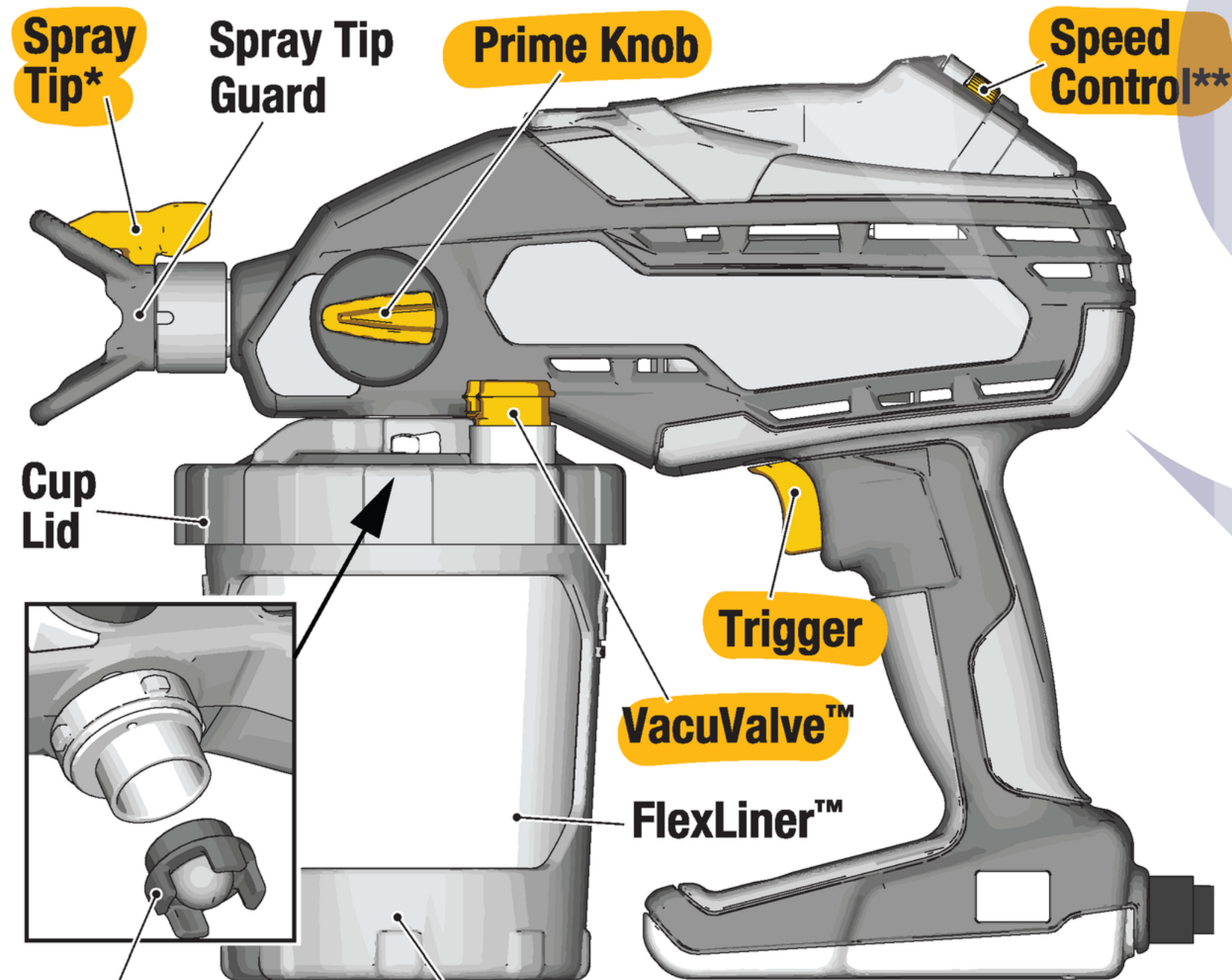
SKIN INJECTION HAZARD: Keep clear of spray tip and leaks.



FIRE AND EXPLOSION HAZARD: Use only non-flammable or water-based materials. Follow fire and explosion warnings as listed in your manual.

FAILURE TO FOLLOW ALL WARNINGS CAN RESULT IN SERIOUS INJURY, AMPUTATION, OR DEATH.

## KNOW YOUR SPRAYER



Pump Filter\* Cup Support

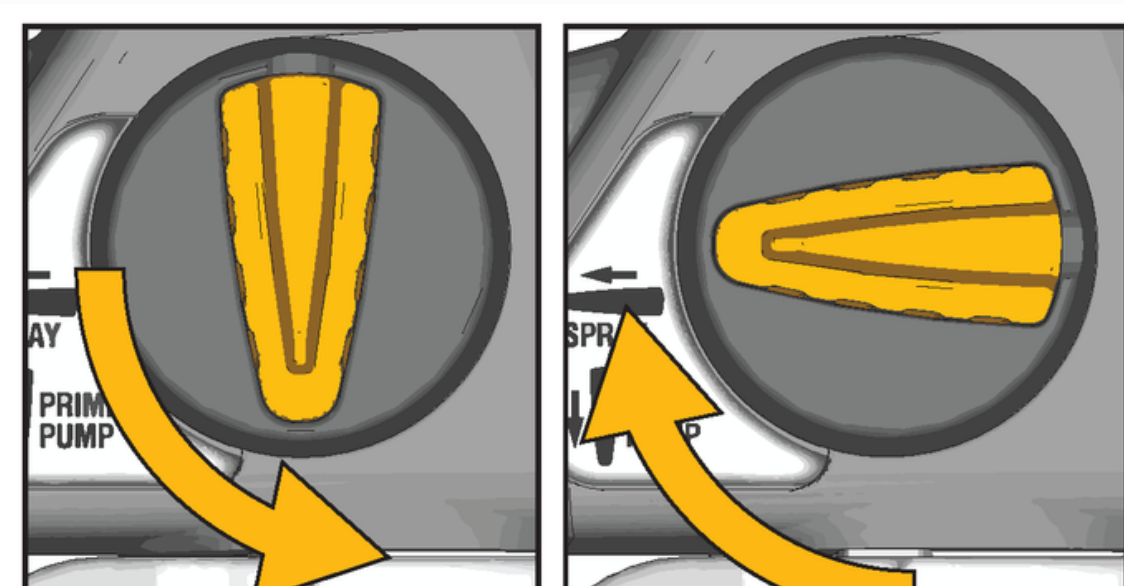
\* Blue Spray Tips should be used with Blue Pump Filter for Paints. Green Spray Tips should be used with Green Pump Filter for Stains. (Green not included with all models.)

\*\* Speed control available on select models only.

### Prime Knob

Turn Prime knob down to PRIME position when priming the sprayer or to relieve system pressure.

Turn Prime Knob forward to SPRAY position to spray fluid.



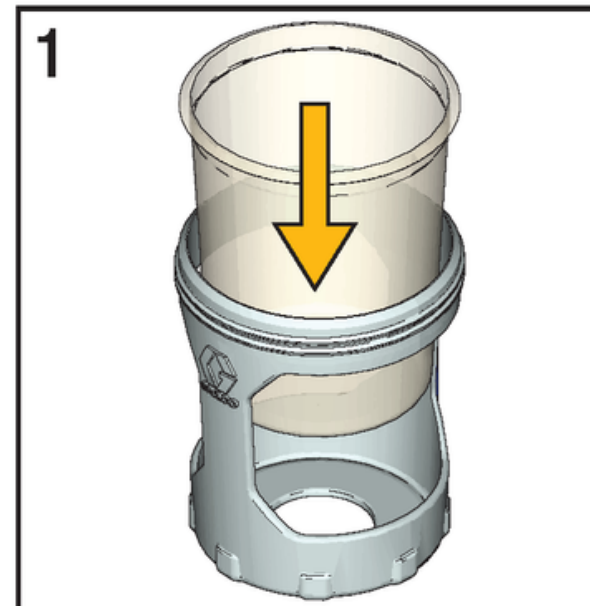
## SETUP

SCAN TO WATCH SETUP VIDEO



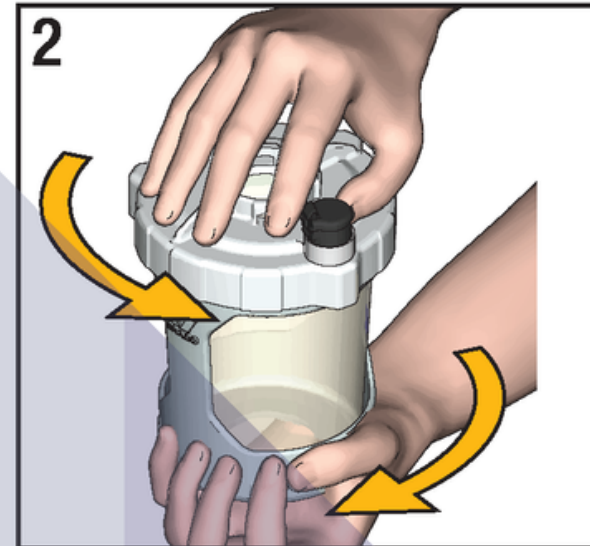
**1** Insert one FlexLiner™ into the Cup Support.

**Note:** Verify there is no damage to the top sealing edge of the FlexLiner, such as a crease or fold. If damaged it will leak air and lose prime.

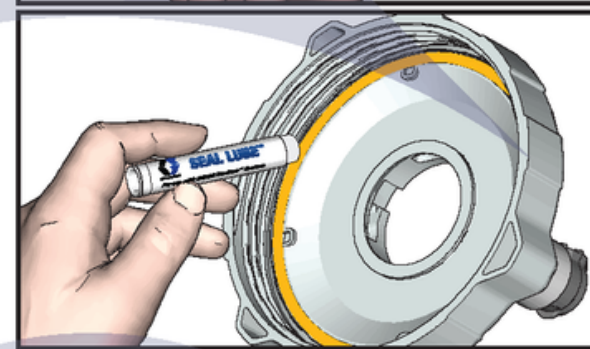


**2** Firmly tighten the Cup Lid onto the Cup Support to ensure an air tight seal.

**Note:** To ensure an airtight seal, the gasket inside the Cup Lid is lubricated by the factory. If lubrication has washed away, apply Seal Lube (included) to the gasket.

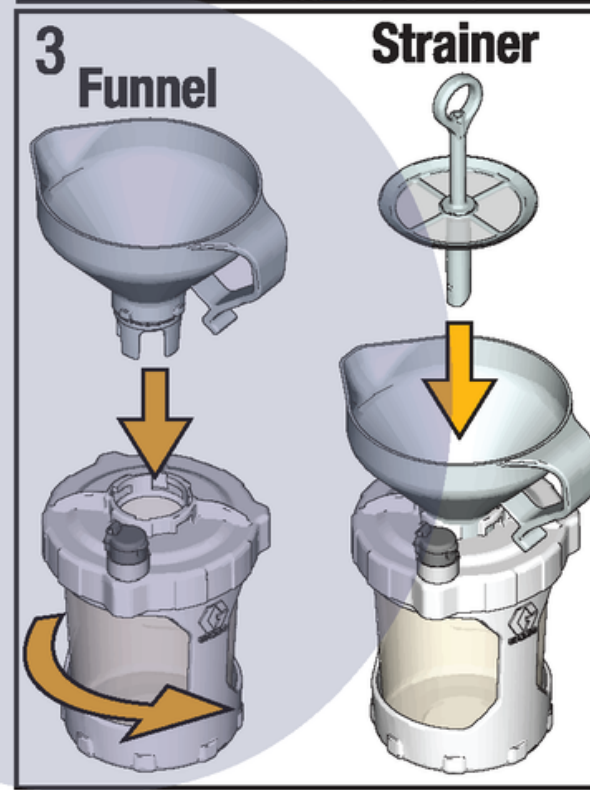


**3** Insert the Funnel into the Cup Lid, twist to lock. Snap the Strainer into the Funnel to strain your paint as you fill the cup.

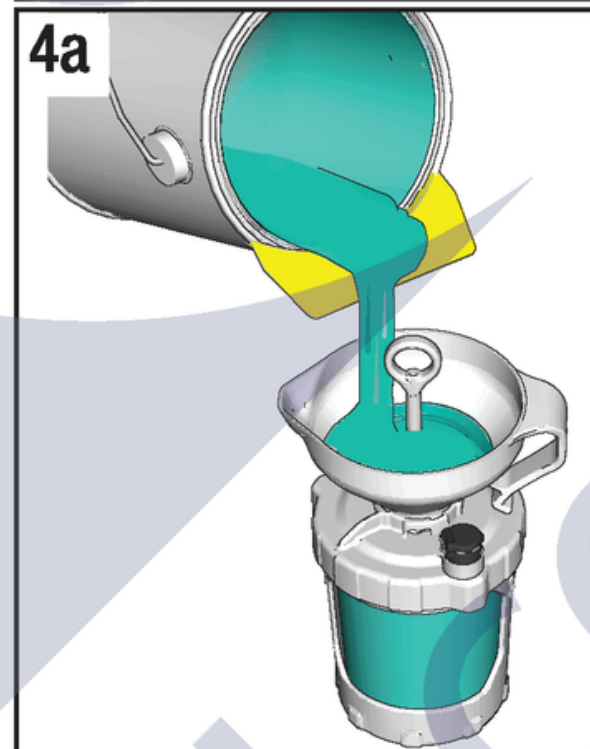


**4** The Strainer's Air Tube will prevent paint from overflowing the cup. Fill the cup as follows:  
4a. Watching the Funnel (not the cup) slowly pour paint into the Funnel. When the paint stops draining down, the cup is full.

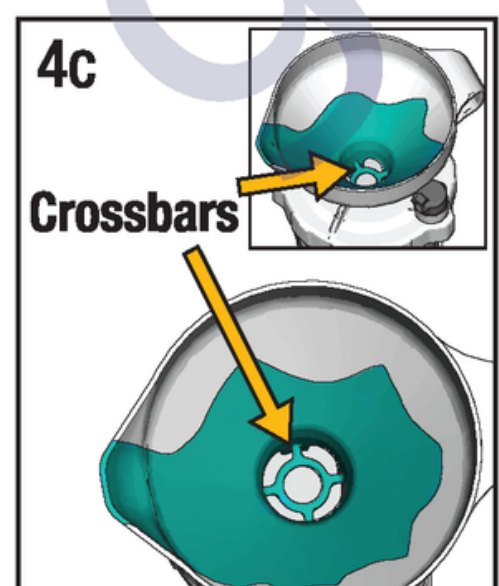
**Note:** If the paint stops draining but you can see the cup is not full, use a stir stick to scrape the captured debris on the top of the Strainer until the paint resumes draining.



4b. With Funnel and Strainer still attached to cup, pour excess paint from the Funnel back into paint can.



4c. Lift up the Strainer and look to verify you can see crossbars in the bottom of Funnel. If not, the cup is overfilled, pour excess paint from the Funnel back into paint can.



4d. Remove the Funnel/Strainer from the cup and hook on edge of paint can.



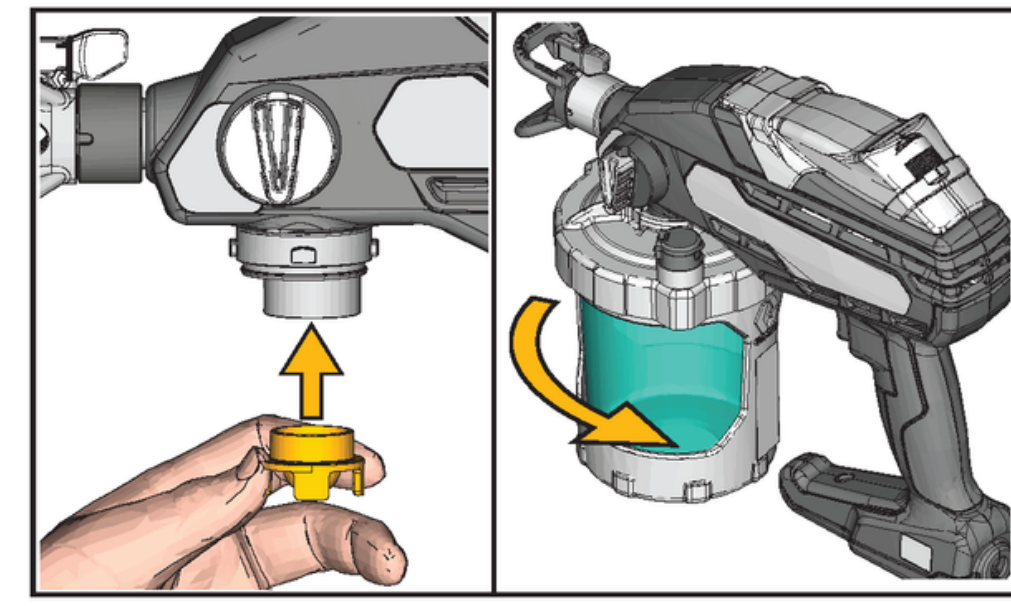
## STARTUP

SCAN TO WATCH STARTUP VIDEO



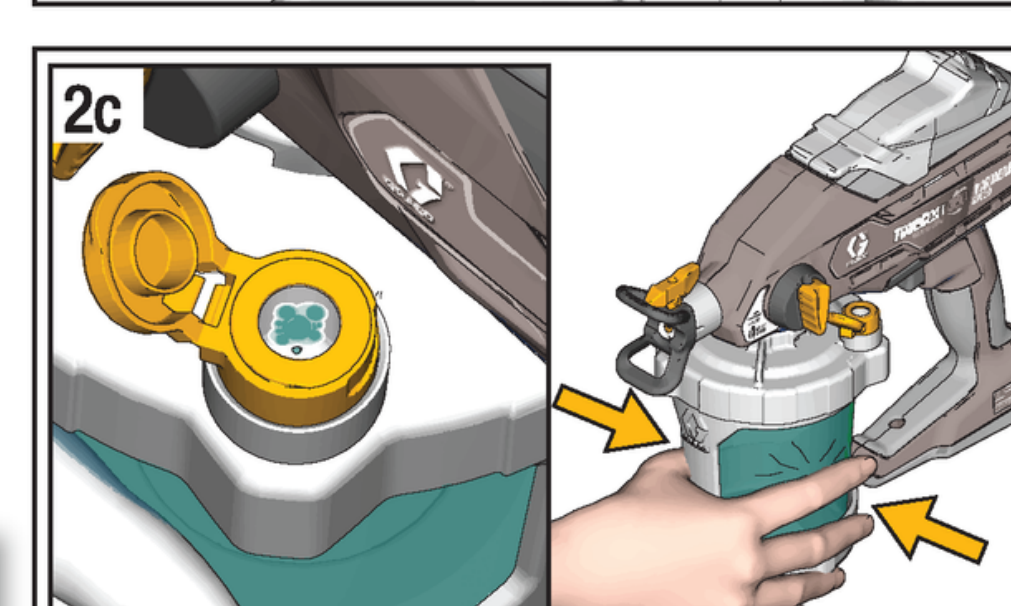
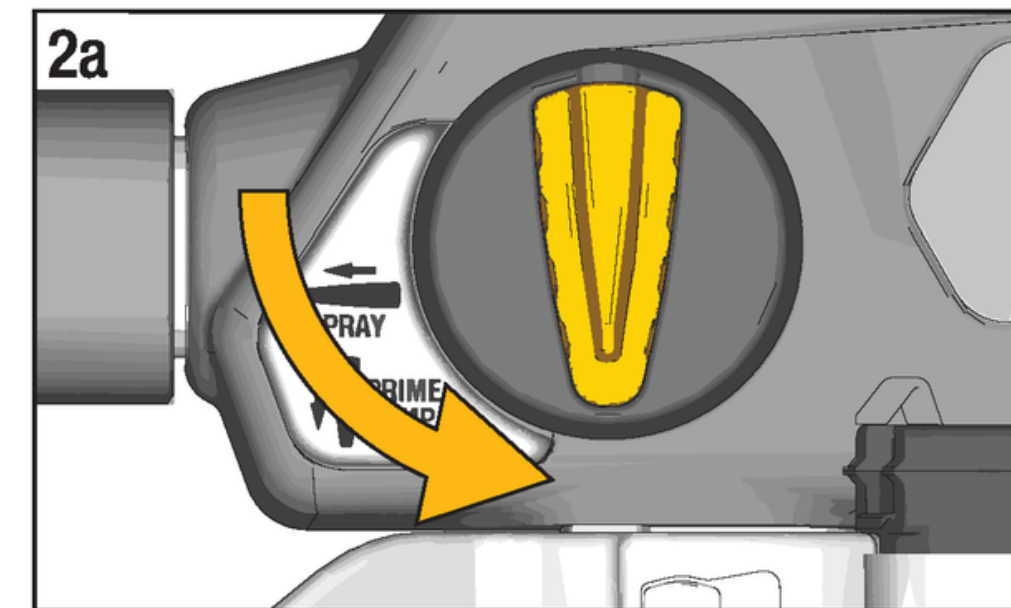
**1** Install the cup onto the sprayer as follows:

- 1a. Verify Pump Filter is installed and clean.
- 1b. Align VacuValve™ (on Cup Lid) with Prime Knob (on sprayer).
- 1c. Push cup assembly onto sprayer, twist to lock.



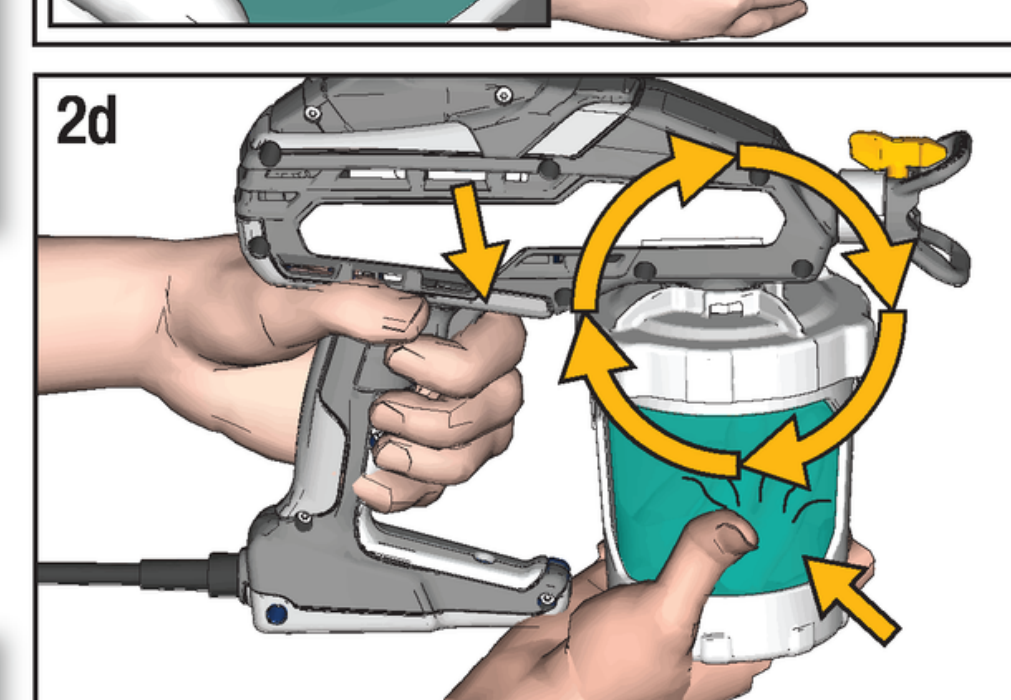
**2** Prime the pump as follows:

- 2a. Verify Prime Knob is pointed down to PRIME position.
- 2b. Plug the sprayer into a grounded power source.
- 2c. Open the VacuValve cap and gently squeeze the FlexLiner until no more air bubbles appear in the VacuValve.



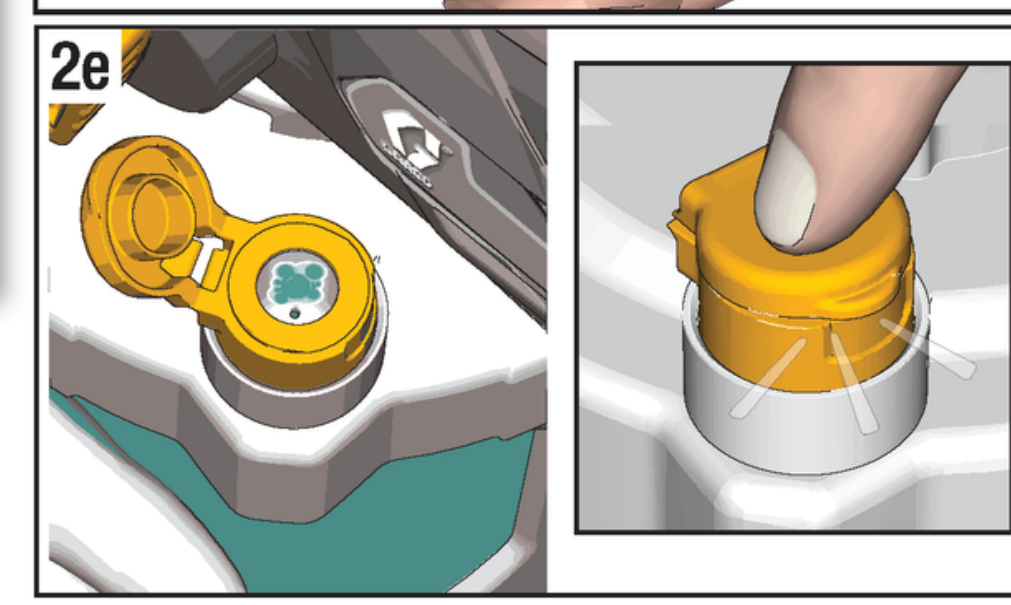
**Note:** Tilt the sprayer such that the VacuValve is the highest point so that all air in the FlexLiner can be fully evacuated.

- 2d. Continue to squeeze the FlexLiner while pulling the Trigger for 10 seconds.

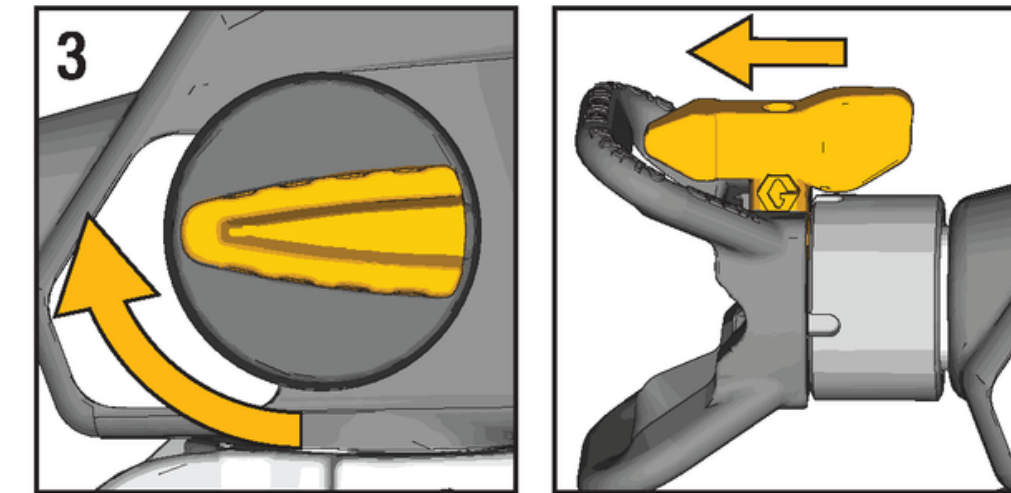


**Note:** This will purge all air from the pump and cup. Paint will not spray out, but will recirculate through the pump and back into the cup.

- 2e. When no more air bubbles appear in the VacuValve, release the Trigger and close the VacuValve cap.



**3** Turn Prime Knob forward to SPRAY position. Verify Spray Tip is forward in SPRAY position.



**4** Point the sprayer into a waste pail and pull the Trigger for 5 seconds to spray out storage fluid.

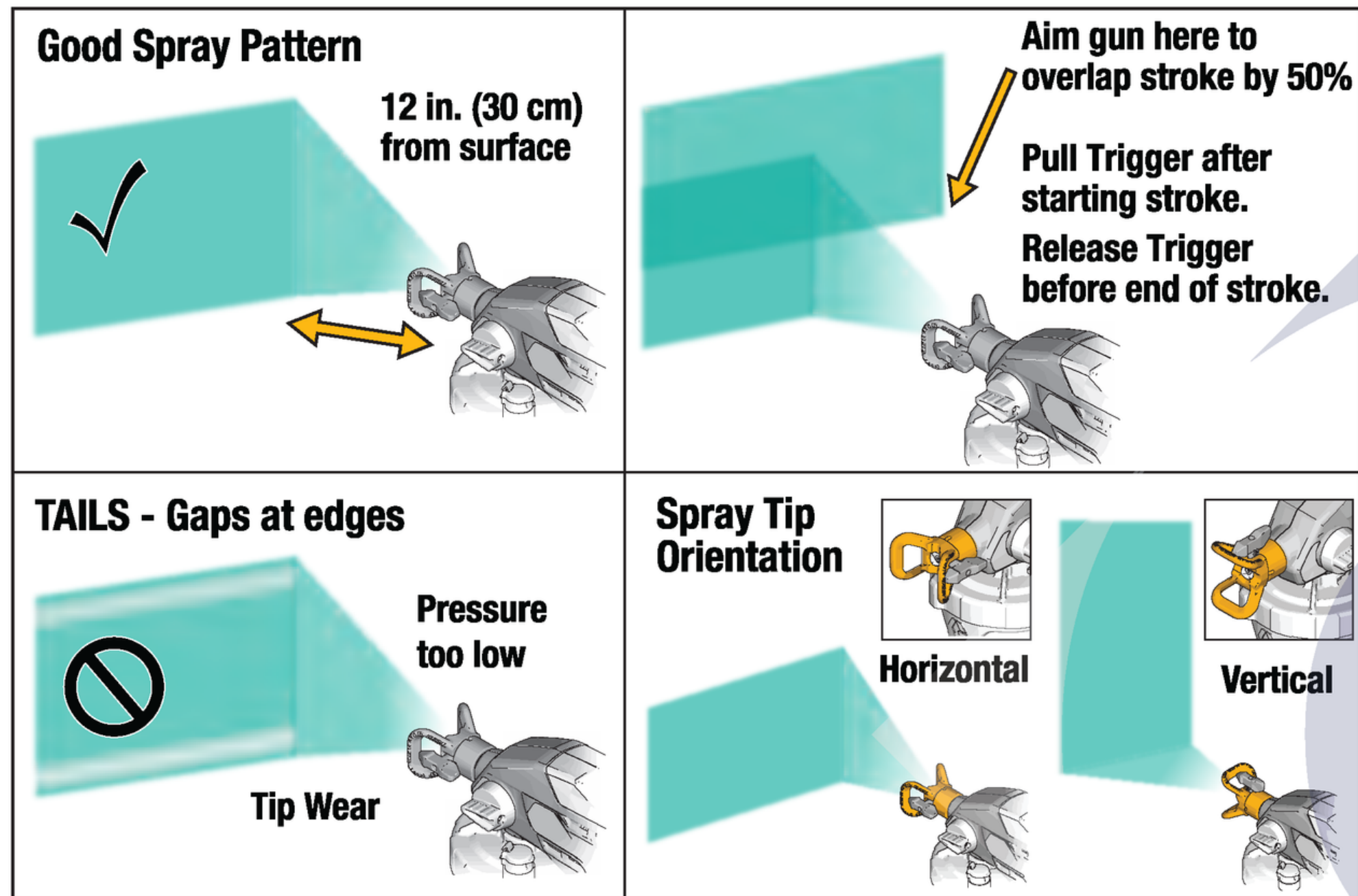
- To avoid pump damage, if the sprayer does not spray after 5 seconds STOP and repeat STARTUP.



# SPRAYING

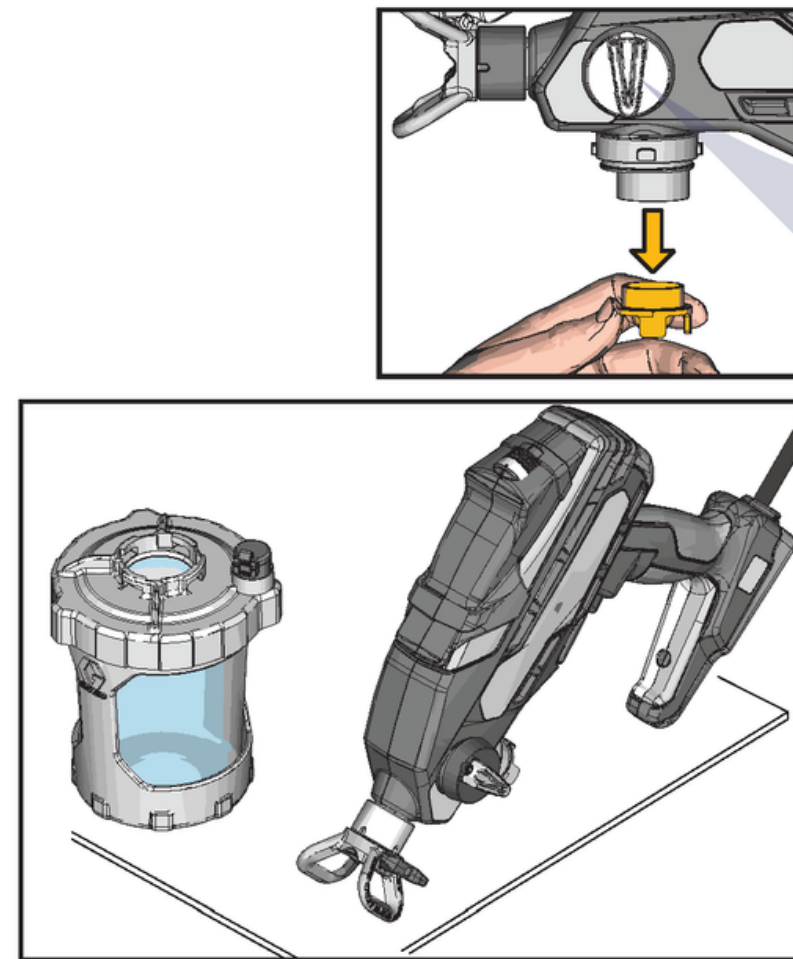


- 1 Set Speed Control to the lowest available setting.
- 2 Pointing at a piece of scrap cardboard, pull the Trigger to test the spray pattern. Adjust the following to achieve desired spray pattern:
  - Speed Control
  - Distance from surface
  - Hand Speed
  - Spray Tip Orientation



## CUP REFILLS

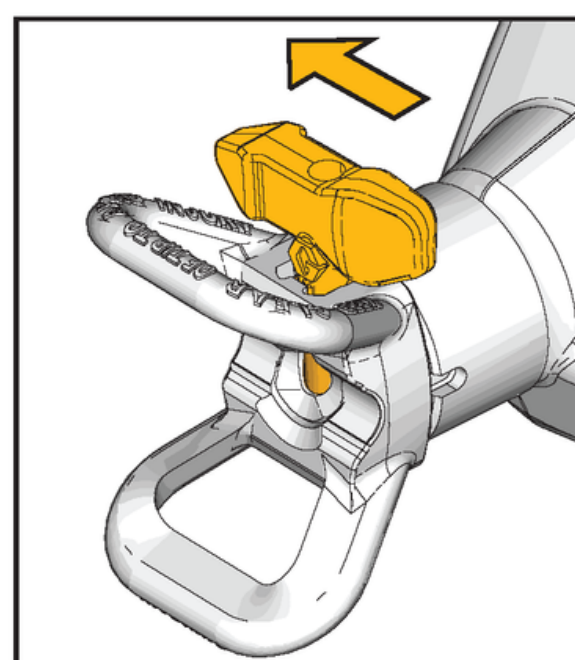
- 1 Turn Prime Knob down to PRIME position to relieve system pressure.
- 2 Remove the cup assembly from the sprayer. Remove the Pump Filter and clean debris from the filter screen.
- 3 Reinstall the Pump Filter into the pump. Set the sprayer on a rag.
- 4 Refill the cup following SETUP Steps 3 & 4. Then follow STARTUP instructions to proceed.



## PAUSE IN SPRAYING

Paint will dry quickly and cause clogs in the sprayer. Follow these steps whenever you pause spraying for 5 minutes to 2 hours.

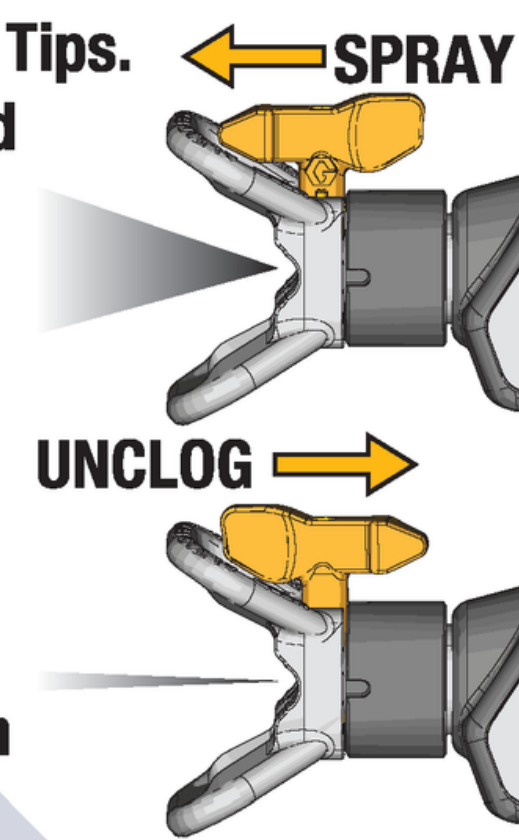
- 1 Turn Prime Knob down to PRIME position to relieve pressure, and unplug power cord.
- 2 Turn Spray Tip 90° to seal orifice from drying out.
- 3 Ensure sprayer is fully sealed. Ensure VacuValve is closed and cup is attached to sprayer with all air evacuated.



# REVERSIBLE SPRAY TIPS

Your sprayer is shipped with Wide and Narrow Spray Tips.

- Blue Spray Tips are for spraying Paint and should be used with the blue Pump Filter.
- Green Spray Tips are for spraying Stain and should be used with the green Pump Filter. (Green not included with all models)



If you encounter a Spray Tip clog, Reverse the Spray Tip and spray into a waste area to remove the clog. Return the Spray Tip to spray position to spray. See Owners Manual.

## CLEANUP & STORAGE



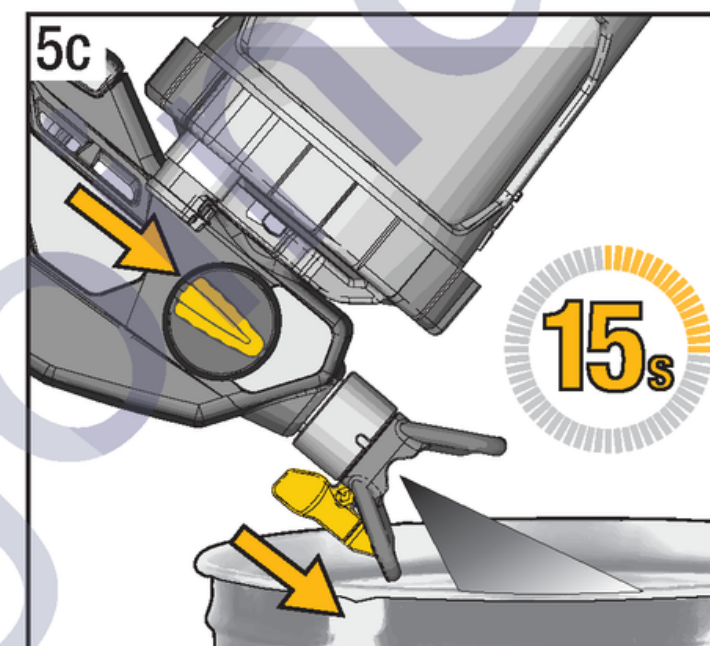
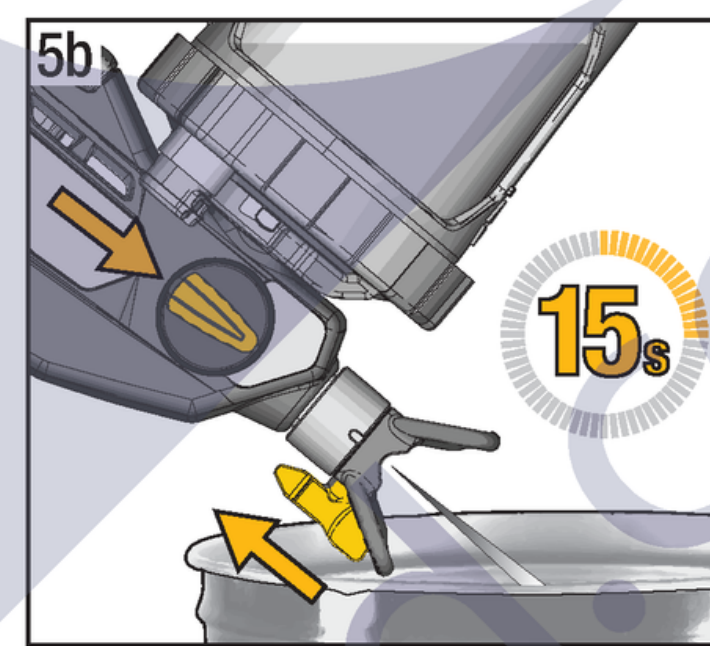
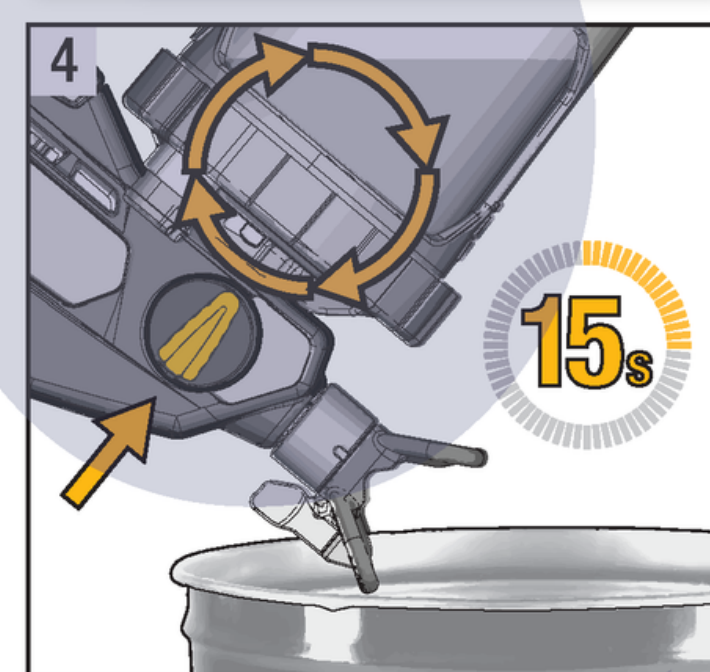
Cleanup instructions are for water-based paints only. See Owners Manual for oil-based cleanup and for complete cleaning and storage instructions.



### Cleanup and Storage

- 1 Turn Prime Knob down to PRIME position to relieve system pressure.
- 2 Remove the cup assembly and Pump Filter from the sprayer. Set sprayer on a rag.
- 3 Remove Cup Lid and pour extra paint back into paint can. Clean all parts with warm water.
- 4 Circulate Cleaning Fluid:
  - 4a. Fill clean cup assembly half-full of water and reattach to sprayer.
  - 4a. Verify the Prime Knob is pointed down to the PRIME position.
  - 4b. Set Speed Control to highest setting available.
  - 4c. Turn the sprayer upside down and trigger for 15 seconds.
- 5 Spray Cleaning Fluid:
  - 5a. Refill cup assembly half-full of clean water and reattach to sprayer.
  - 5a. Turn the Prime Knob forward to SPRAY position and Spray Tip to the UNCLOG position.
  - 5b. Turn the sprayer upside down and trigger into a waste pail for 15 seconds.
  - 5c. Turn the Spray Tip to the SPRAY position and trigger into a waste pail for 15 seconds.

Note: Be sure to clean inside the VacuValve!



Note: Store Sprayer filled with Pump Armor™ (included) storage fluid for trouble-free startup.

- 6 Repeat Cleaning steps as needed until sprayer is clean.
  - Turn Prime Knob down to PRIME position and unplug power cord.
  - Remove Spray Tip, Spray Tip Guard and Pump Filter with warm water and an old toothbrush. Reinstall Spray Tip and turn 90° for storage. Empty remaining fluid from cup. Wipe paint off outside of sprayer using a soft cloth moistened with warm water.

# TROUBLESHOOTING

To avoid pump damage, NEVER run the sprayer for more than 5 seconds without pumping fluid.

If the sprayer does not spray, try the steps below:

- Make certain the sprayer is plugged into a grounded and functional power source.
- Make certain the Spray Tip is not clogged. See Owners Manual for instructions on Unclogging Spray Tips.
- Repeat STARTUP Procedure to ensure all air is evacuated from the FlexLiner.
- Verify Cup Lid is tight. An under tightened Cup Lid will allow air to seep into the FlexLiner and cause a loss of prime.
  - Add Seal Lube (included) to the Cup Lid gasket to ensure an airtight seal.
- Remove the Pump Filter from the pump inlet. Clean both sides of the Pump Filter.
  - While the Pump Filter is removed, inspect and ensure no dried paint debris is collected inside the pump inlet.
- If the Sprayer sprays when upside down but not upright, there is likely still an air leak into the cup. Try replacing the FlexLiner and the VacuValve. (Extra of both included with sprayer)

**QUESTIONS?**  
888-541-9788  
[graco.com/HomeownerSupport](http://graco.com/HomeownerSupport)

