

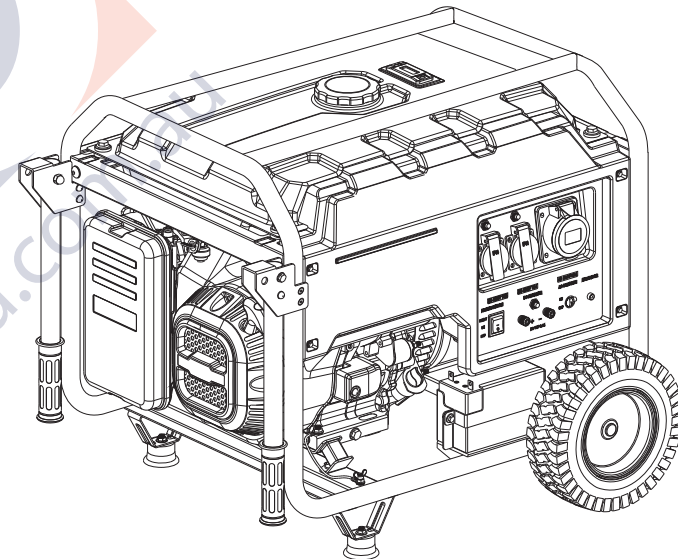
Atlas Copco

PORTABLE GASOLINE GENERATOR
Owner's Manual

P3000 P3000W

P6500 P6500T P6500W

P8000 P8000T P8000W



Tips—Before using this product, read the instructions carefully, be sure to understand local safety regulations, and follow all safety and environmental protection guidelines.

Save this operating manual and keep it with the generator for quick reference in case of emergency in the future. This manual constitutes a permanent component of the generator. It must be provided along with the generator set if the unit is ever loaned or resold.

Relevant information and technical specifications defined in this manual take effect when printing is approved, with the contents based on the equipment in production at time of publication. Manufacturer reserves the right to modify and improve any parts described in the text without prior notice.

Loncin Motor Co., Ltd.

No.99 Hualong Road, Jiulong Industrial Park, Jiulongpo District, Chongqing, P. R. China

Original instructions



Contents

1	Foreward	01
2	Safety Regulations	02-07
3	Glossary	08-09
4	Parameters	10-11
5	Description of Spare Parts	12-15
6	Operation Instructions	16-21
7	Transporting	22
8	Installation of Accessories	23-25
9	Power Ratings of Common Appliances	25-26
10	Maintenance	27-30
11	Troubleshooting	31-32
12	Electrical schematic diagram	33-39

Foreward

Thank you for purchasing this generator set. This air-cooled device, powered by a gasoline engine, is a household generator with a compact structure offering high performance. It is intended for use when there is no electricity or when the power supply is unexpectedly cut off.


We advise the operator to read this manual carefully before using the generator set, and fully comprehend all requirements and operating procedures. In case of any questions about this manual, please contact the authorized dealer for information about startup, operation, maintenance, etc. The technician will teach you how to use the generator properly and safely. The operator should also read the startup and operating procedures for this generator when purchasing the unit.




Safety precautions

This generator will work in a safe, effective and reliable way only when it is kept, operated and maintained properly. Before operation or maintenance of the generator, the operator should:

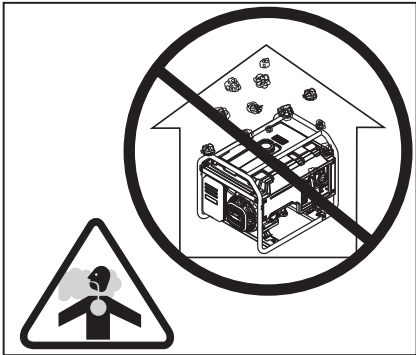
- Be familiar with and strictly observe all local laws and regulations.
- Read and obey all safety warnings in this manual and on the device.
- Have your family get familiar with all safety warnings in this manual.

It is impossible for manufacturers to predict all hazardous circumstances that may occur, for this reason, warnings in this manual and caution signs on the generator set may not cover all hazardous circumstances. If we do not give extra cautions for operating procedures, methods or techniques, operate the generator in such ways that helps guarantee personal safety, make sure no damage to generator set arises there from.

To ensure safe operation, carefully read the three vital safety warnings in this manual and on the generator, indicated by a safety alert symbol , such as:

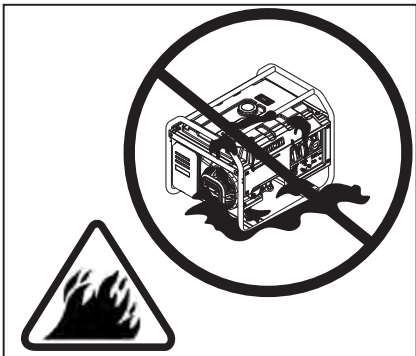
 DANGER	Failure to follow instructions could result in SERIOUS INJURY or DEATH .
 WARNING	Failure to follow instructions could result in SERIOUS INJURY or DEATH .
 CAUTION	Failure to follow instructions could result in SERIOUS INJURY .
NOTICE	Failure to follow instructions could result in damage to your equipment.

Safety Regulations



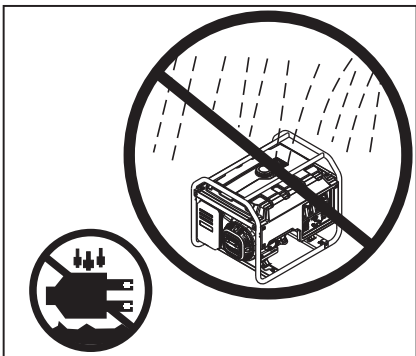
⚠ DANGER

Do not use the equipment indoors.



⚠ DANGER

Keep the unit clean and avoid spilling any combustibles such as gasoline on the equipment.



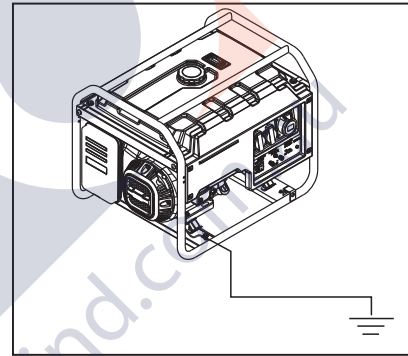
⚠ WARNING

Do not operate near water or moisture.



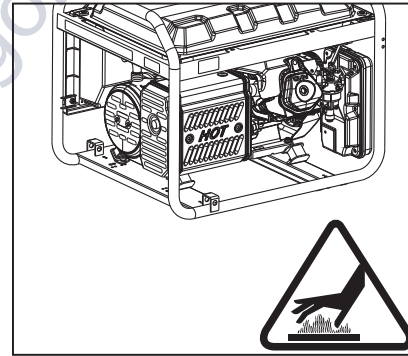
⚠ WARNING

Do not connect to a home power system.



⚠ WARNING

Unit must be safely grounded.



⚠ WARNING

The surface of the generator set becomes extremely hot. To avoid serious burns, pay attention to the warnings.

⚠ DANGER General safety information

- Operator should put on personal protective equipment during operation and maintenance.
- The installation and major repair work must be done only by specifically trained personnel.
- Do not use the generator underground.
- Do not use the generator in explosive condition.

⚠ DANGER The generator produces enough electric power to cause a serious shock or electrocution if misused.

- It is prohibited to use bare wire to connect power supply to the electric equipment directly, use the plug that fits local regulations.
- When the unit is operating, do not touch wire or live parts of the equipment. Never touch the machine with wet hands or electrical shock will occur.
- When the unit is operating, keep children at a safe distance from the generator.
- When the unit is operating, strictly prohibit the assembling and disassembling of any parts.
- It is recommended to make a tandem connection of a ground fault circuit interrupter (GFCI) when the power supply is out, in order to ensure safety.
- External electric accessory (including cable and plug interconnecting piece) shall have no faults. Electric shock protection depends on the circuit breaker, especially the matching between the breaker and generator set. When replacing the breaker, use only a replacement with the same rating and performance features. Contact a local dealer or the after-sales service center for support.
- In case of using length ening wire or mobile power distribution cabinet, overall length of the wire with a cross section of 1.5mm² shall be no longer than 60m, and 2.5mm² wire shall be no longer than 100m.
- Avoid connecting the generator in parallel with any other generator.

⚠ DANGER The generator fuel is flammable, generating high temperatures, and can easily cause fire.

- It is strictly prohibited to add fuel while the equipment is operating.
- In case of adding fuel, keep far away from fire sources, and do not allow smoking any where near the unit.
- When adding fuel, do not spill fuel on the equipment.
- In case of accidental spills, use cotton cloth to clean it. Start the equipment only after spilled fuel is completely evaporated.
- When operating, make sure there is no flammable substance within a 2-meter range, and no flammable substance should come near the equipment. Avoid placing any flammable materials near the exhaust outlet while operating.
- In case of long-term nonuse, drain the fuel from fuel tank and store it safely.
- If you swallow any fuel, inhale fuel vapor, or allow any to get in your eyes, see your doctor immediately. If any fuel spills on your skin or clothing, immediately wash with soap and water and change your clothes.
- When operating or transporting the machine, be sure it is kept upright. If it tilts, fuel may leak from the carburetor or fuel tank.
- Do not throw the residue fuel or used motor oil into the trash or pour it onto the ground. We suggest you take used oil in a sealed container to your local recycling center or service station for reclamation.

⚠ CAUTION This equipment contains high-speed revolving parts, which can cause bodily injury.

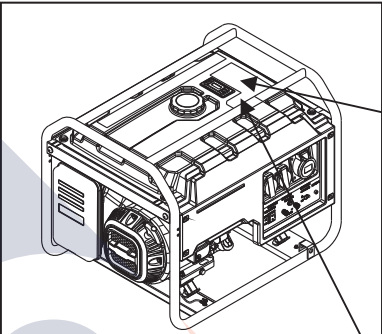
- When operating the equipment, do not approach the unit or touch any revolving parts.
- Do not lift or move the equipment while operating. Move it only after equipment has completely stopped.
- When operating the equipment, observe surroundings. Make sure no articles are introduced into the equipment.






NOTICE

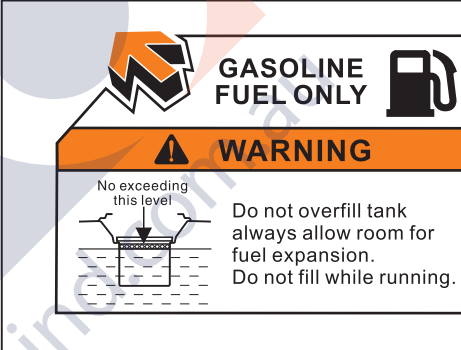
Operating requirements


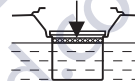


- Do not place heavy weight on the equipment.
- The wheel is for easy moving of the equipment. Do not use it for long distance transport, or it will be damaged.
- Do not exceed rated power of the equipment in operation; otherwise, its service life will be shortened. The power ratings of common household appliances are shown on Page 26,27 in details.
- Pls maintain the equipment according to the requirements to prolong its service life. See Page 28 for details.
- Prevent dust from entering into the equipment during operation or storage.

There is the warning label on the machine to remind you of the safety regulations.




⚠ WARNING		
 <p>Read owners manual carefully for important safety and health warnings and instructions.</p> <ul style="list-style-type: none"> ▪ Understand and follow warnings and cautions. ▪ Do not operate unless guards are in place. 	 <p>Generators produce electricity that can cause serious injury or death. Operate only in dry areas away from moisture, rain, snow or standing water.</p>	
 <p>Generator exhaust contains hazardous CO. Do not operate indoors and try to operate in well ventilated area.</p>	 <p>Due to high voltage of Generator</p> <ul style="list-style-type: none"> ▪ Do not connect to any building electrical system. ▪ Do not overload generator. ▪ Non-qualified person (including under-aged children) is not allowed to operate. 	
 <p>Gasoline and its vapor are flammable and explosive. Keep gasoline away from heat, sparks, and flame sources.</p>		






GASOLINE FUEL ONLY 		⚠ DANGER
<p>No exceeding this level</p>  <p>Do not overfill tank always allow room for fuel expansion. Do not fill while running.</p>		<p>Using a generator indoors CAN KILL YOU IN MINUTES. Generator exhaust contains carbon monoxide. This is a poison you cannot see or smell.</p>
 <p>NEVER use inside a home or garage. EVEN IF doors and windows are open.</p>	 <p>Only use OUTSIDE and far away from windows, doors, and vents.</p>	













⚠ WARNING	
 <p>A hot exhaust system can cause serious burns.</p> <ul style="list-style-type: none"> ▪ Avoid contact if the engine has been running. 	

Glossary

The following symbols appear on the machine or in this manual. Please make sure you understand their meaning for easier and safer operating.

Symbol	Name	Meaning
V	Volt	Voltage
A	Ampere	Current
Hz	Hertz	Frequency (1Hz=60 r/min)
W	Watt	Power
RPM	Revolutions per Minute	Engine Speed
PF	Power factor	Load transfer efficiency
G1	Performance rating	Generator output power performance rating meets ISO8528G1
	Read instructions	Please read instructions carefully before use
	Safety warning	Not following instructions may result in injury.
	Electric risk	Indication of electrified body. Pay attention to safety.

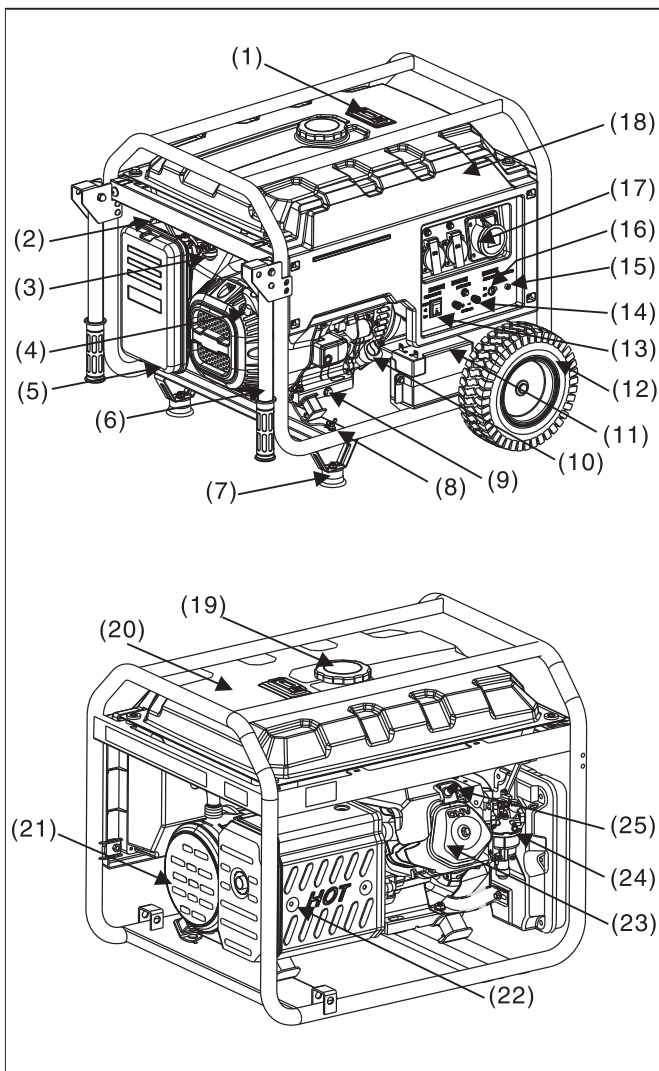
Symbol	Name	Meaning
	Toxic gas	Exhaust from the equipment contains CO, which is invisible and inodorous. Excessive inhalation of CO can lead to unconsciousness or even death in serious cases.
	Electric shock	This is an electrical device. Failure to follow instructions could result in electric shock.
	Electrical device:do not touch	This is an electrical device. Do not touch while operating.
	Fire	Fuel and high temperature generated during operation may cause fire. Operate with caution.
	Explosion	Fuel tank may explode when encountering high temperature and open fire. Operate with caution.
	Scalding	Some parts of equipment will become extremely hot when operating and can cause serious burns.
	Grounding symbol	safely ground the equipment before using
	No water	Do not use the plug or electric device in the rain or allow it to get wet.
	Engine oil	Symbol of adding the engine oil and the specification is indicated on Page 16
	Fuel	Symbol for adding the fuel, which must be gasoline.

Parameters

Model	P3000	P3000W	P6500	P6500T	P6500W	P8000	P8000T	P8000W	
AC output									
Frequency	50 Hz	60Hz	50 Hz	50 Hz	60Hz	50 Hz	50 Hz	60Hz	
Voltage	230V	120/ 240V	230V	400/ 240V	120/ 240V	230V	400/ 240V	120/ 240V	
power Rating(kW/kVA)	2.3/2.3	2.5/2.5	5.0/5.0	5.0/6.25	5.0/5.0	6.0/6.0	6.0/7.5	6.5/6.5	
Max. power(kW)	2.5	2.8	5.5	5.5	5.5	6.5	6.5	7.0	
Engine									
Specification	Single cylinder, forced air cooling, 4 strokes								
Rpm	3000	3600	3000	3000	3600	3000	3000	3600	
Fuel	Gasoline								
Engine oil capacity	0.6 L		1.1 L						
Spark plug type	F7RTC (RN9YC)								
Spark plug clearance	0.7 mm								
Valve clearance (inlet/outlet)	0.10– 0.15 / 0.15– 0.20mm								
Igniting Mode	T.C.I.								
Starting System	Recoil		Recoil / E - start						
Displacement	196cc		389cc			420cc			
Weight (only for reference)									
Net weight	46kg		79kg	81kg	79kg	83kg	85kg	83kg	
Overall dimensions (excluding packing box)									
L x W x H (mm)	590x430x467		681x546x550						
Capacity of fuel tank	15L		25L						

Noise emission(according to European Directive 2000/14/EC with amendment 2005/88/EC)								
Model	P3000	P3000W	P6500	P6500T	P6500W	P8000	P8000T	P8000W
Measured Sound Pressure Level	74 dB(A)		75 dB(A)					
Measured Sound Power Level	94 dB(A)		95 dB(A)					
Uncertainty	2 dB(A)		2 dB(A)					
Guaranteed Sound Power Level	95 dB(A)		97 dB(A)					

Description of Spare Parts

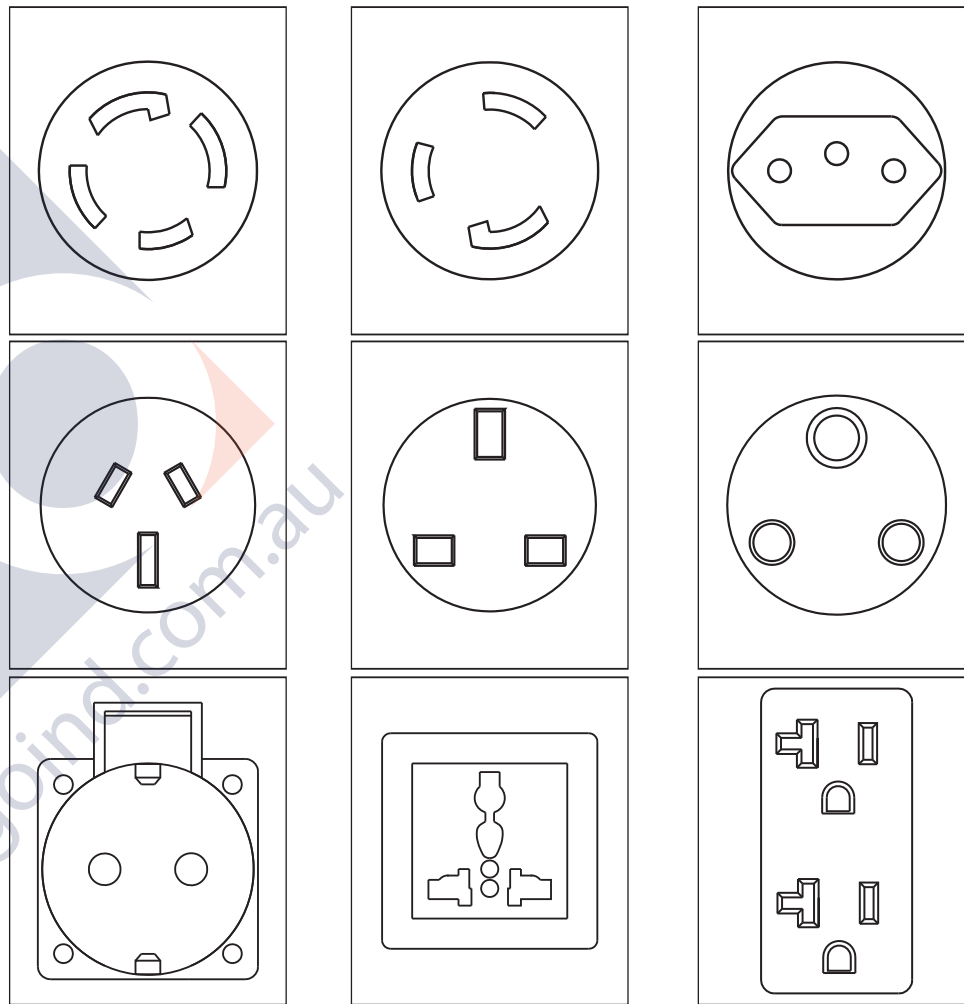


- (1) Fuel gauge
- (2) Chock valve
- (3) Fuel valve lever
- (4) Starter Grip
- (5) Air cleaner
- (6) Handle
- (7) Foot
- (8) Ground terminal
- (9) Oil drain bolt
- (10) Oil filler cap
- (11) Battery (optional)
- (12) Wheel
- (13) Engine switch
- (14) DC output
- (15) Output indicator
- (16) AC circuit breaker
- (17) AC output
- (18) Panel seat
- (19) Fuel tank cap
- (20) Fuel tank
- (21) Cover, Generator End
- (22) Muffler
- (23) Cylinder head
- (24) Carburetor
- (25) Spark plug

Fuel tank	use to hold fuel—gasoline only.
Fuel tank cap	Screw the fuel injection port in use and do not open while operating the equipment.
Fuel gauge	Indicate fuel level in the fuel tank.
AC output	AC output socket provides the power supply. Pls refer to model's parameter table for its power rating load of each socket cannot exceed its rated current, and total power of electric device cannot surpass rated power of the generator. Do not start up multiple electrical devices simultaneously. Turn on one device until it reaches stable operation, then turn on the next one.
AC circuit breaker	The circuit breaker will activate to protect the electrical device when current becomes too high.
Output indicator	Indicates status of power supply. The gauge will light up when the equipment is operating.
DC output	The DC output is 12V with a maximum of 8.3A. It is only use automatic charging of batteries rated 12V. Make sure to connect the positive and negative electrode correctly.
Engine switch	Used for start up (applicable to electrical starting only) and switch off the engine. Turn to the off position when not in use.
Wheel (optional)	Used for quickly moving the generator.
Battery (optional)	Used for starting up the generator set, The unit must be charged if it is not used for a period of three months or longer.

Oil filler cap	Used to gauge engine's oil level. Make sure level is between MIN and MAX on the oil filler cap dipstick before use. Oil can be added after removing the oil filler cap.
Oil drain bolt	Unscrew this bolt when changing the engine oil. Drain out the old engine oil and dispose of it properly according to local laws, avoiding any harm to the environment.
Foot	Provides support the generator.
Grounding terminal	Used to safely ground the generator set. For instructions on grounding, see Page 16. Make sure to properly ground the unit before use.
Handle pipe	After it is raised, the handle, which includes a self-locking structure, can be used to move the generator.
Starter Grip	Using for starting up the engine. For instructions, see Page 19.
Air cleaner	Used to filter air and remove impurities in the air entering through the cylinder. For maintenance instructions, see Page 29.
Fuel switch	Used to control fuel entering the engine through the fuel tank. Turn the switch to off position when generator is not in use.
Choke valve	Used to control air flow into the cylinder when starting up the engine. For operating instructions, see Page 19.
Muffler	Used to eliminate noise while equipment is operating and discharge hot exhaust from engine combustion. To avoid serious burns, do not touch.

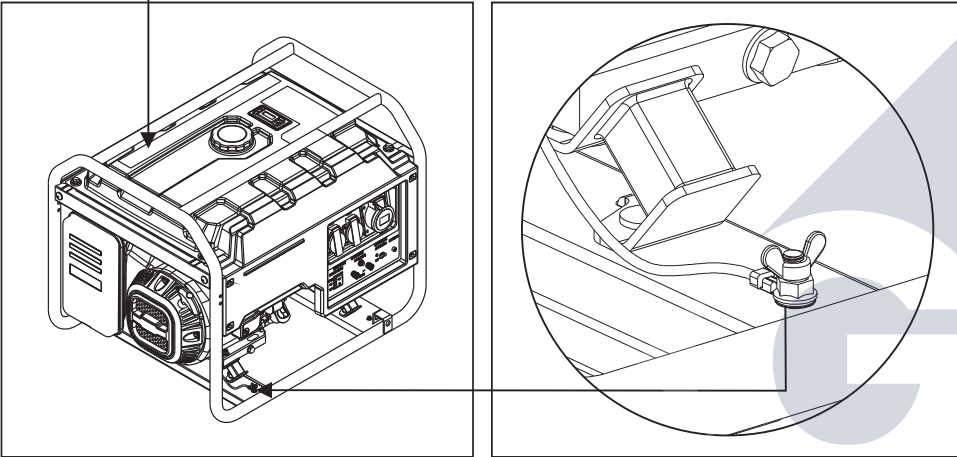
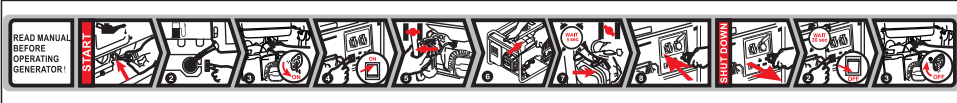
Sockets may follow patterns according to applicable regulations in various areas:



⚠ WARNING

When the rated current from one socket output more than the socket's nominal rated current, simultaneously use two or more sockets for power output.

Operation Instructions

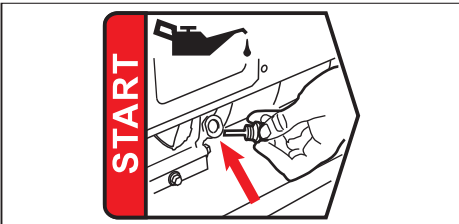


● Grounding the unit

Place the unit outdoors, use wire of no less than 2.5mm² to connect the unit and grounding terminal to the ground. One end of the wire is pressed below the butterfly nut of the unit, screwed up tightly, and the other end is connected to the metal rod-shaped piece (such as the iron nail and the opener), and inserted into soil.

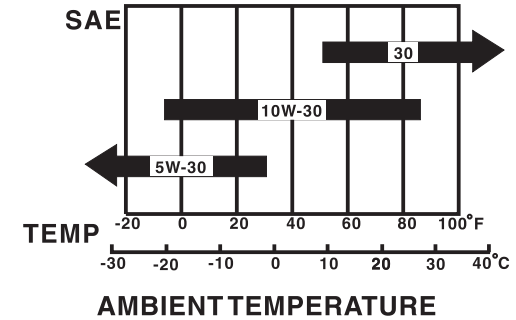
● Starting the generator set

Filling oil

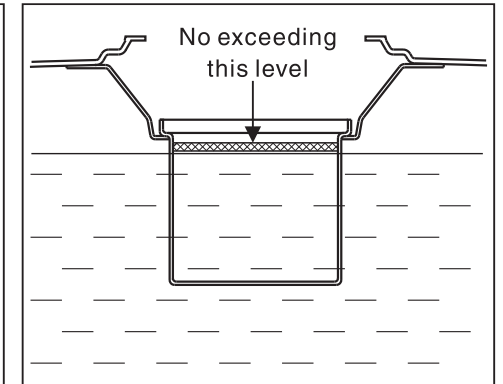
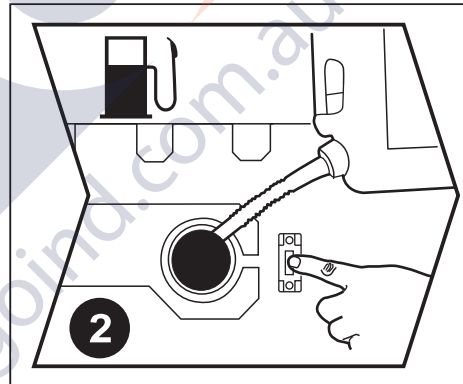


Remove the oil filler cap, fill with the proper type of oil. For filling instructions, see Page 10. Use the funnel for filling. If any spills occur, clean the ground thoroughly to avoid slipping.

Oil specification chart

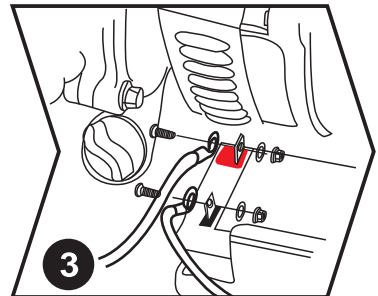


Refueling



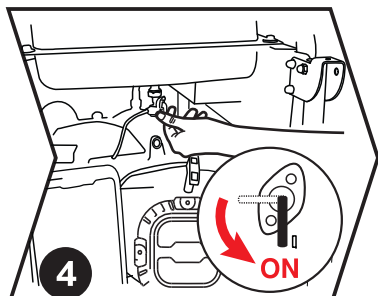
Open the fuel tank cap and fill tank with gasoline. The fuel gauge will display the level of gas in the fuel tank. Caution: the maximum fuel level must not exceed the inner strainer of the tank when filling

⚠ WARNING Keep away from the source of fire and heat when filling. Do not fill fuel tank while unit is operating.



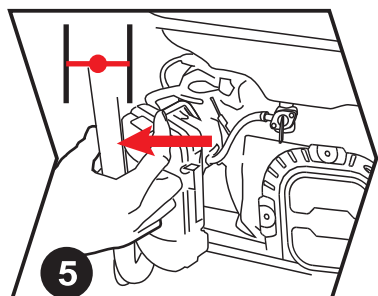
Connect electric battery (electric start only)

Connect the storage battery wire to the storage battery, red for the positive electrode and green for the negative electrode, and be sure to tighten the nut. Do not allow contact between the positive electrode and negative electrode or short circuiting may occur. After connecting, the metal parts of two pieces of wire should be kept at least 15mm apart for safety, and protected by rubber cover.



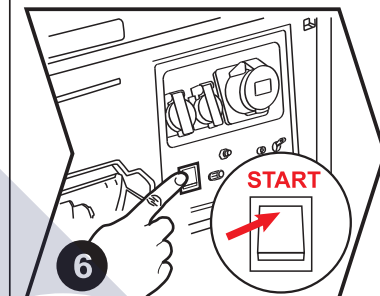
Turn on the fuel valve lever

Turn the fuel valve lever to ON and let the fuel flow into the carburetor.



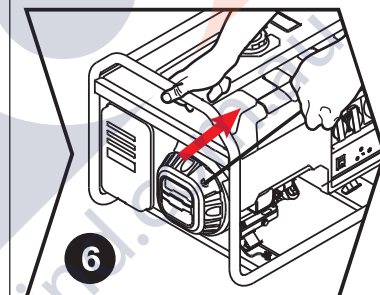
Close the choke valve

When the unit is in a cold state, move the choke valve to the fully closed position, and half-closed position in thermal state. If the generator unit fails to start twice in a row, move the choke valve to the open position and then use the switch or hand-pull starter.



Start the generator

Turn the engine switch on the control panel to ON. Or turn it to START if it's in the electric start position, then generator unit can be started. To extend the service life of the storage battery, do not press the switch for more than 3 seconds and wait at least 10 seconds after pressing the switch before trying again.

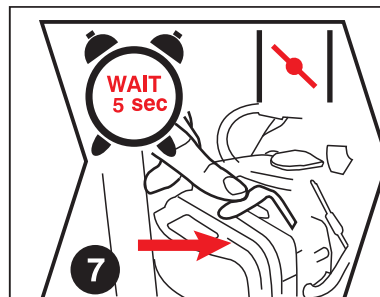


Start the generator recoil start

Start via the pull cord: Pull the cord gently to connect the disc to the starting bowl inside the unit. Pull the cord out in an instant action and the generator unit will be started after doing this twice. If it is not started, please conduct the above operation with the choke valve.

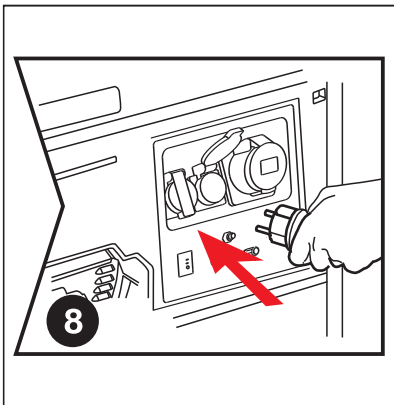
⚠ WARNING

It may be causing the dangers of injury by the sudden change of rotation direction of the engine during operating the recoil starter.



Open the choke valve

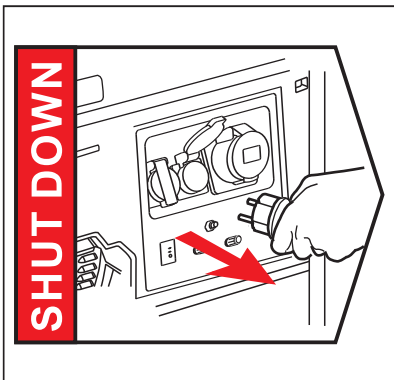
After starting, let the unit run at zero load for 5 seconds and then turn on the choke valve switch.



Connect to load

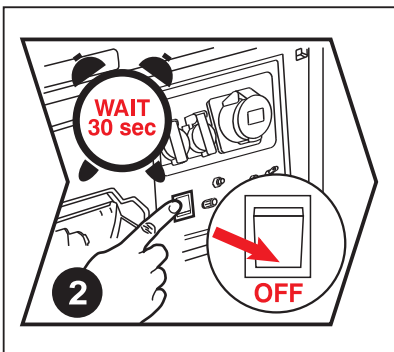
Access electrical equipment and turn the circuit breaker to ON. Please note that when several loads are used at the same time, do not access the next one unless the first one is running normally. The total power of the loads should not exceed the rated power of the unit.

● **Shut down the engine**



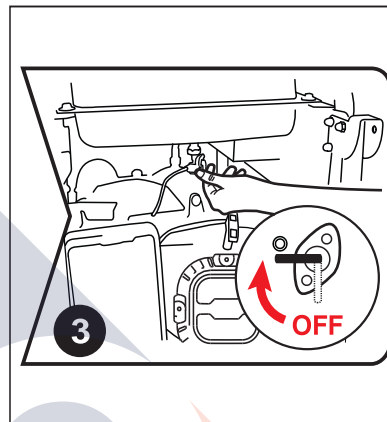
Disconnect load

Disconnect the electric equipment from the generator control panel.



Turn off the engine switch

After 30 seconds of no-load running, turn off the engine switch and the generator unit will be shut down immediately.



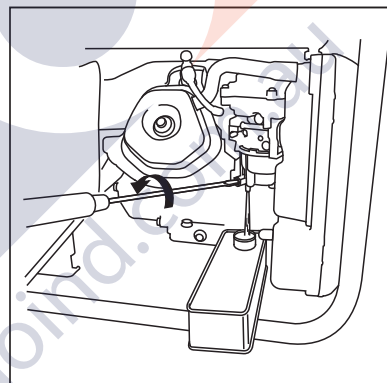
Close the fuel valve lever

Turn off the fuel valve lever after the shutdown of the unit.

⚠ WARNING

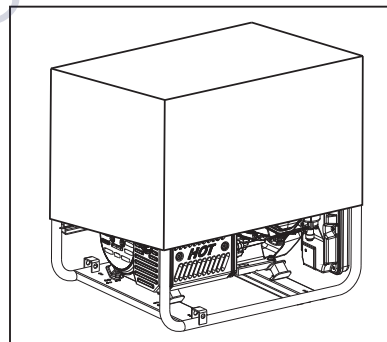
The surface temperature of the generator unit is still high after shut down. Do not attempt to move or operate the unit until it cools down or serious burns may occur.

● **Storage**



Drain the fuel

Remove the oil-draining bolt on the carburetor and drain the fuel from the fuel tank and carburetor. Then tighten the oil draining bolt again (if the fuel is not drained, the fuel will evaporate and flow into the air, and the residues may block the carburetor).



Protective treatment

The unit should be stored in a clean and dry place and should be protected from rain and high temperature. Shield the unit with cardboard or plastic to keep dust from entering the unit.

Transporting

To prevent fuel spillage when transporting or during temporary storage, the generator should be secured upright in its normal operating position, with the engine switch OFF.

The fuel valve lever should be turned OFF.

⚠ WARNING

When transporting the generator:

- Do not overfill the tank.
- Do not operate the generator while it is on a vehicle. Take the generator off the vehicle and use it in a well ventilated place.
- Avoid a place exposed to direct sunlight when placing the generator on a vehicle. If the unit is left in an enclosed vehicle for many hours, high temperature inside the vehicle could cause fuel to vaporize and cause an explosion.
- Do not drive on a bumpy road for an extended period of time with the generator on board. If you must transport the generator on a bumpy road, drain the fuel from the generator beforehand.

NOTE:

To transport the generator, use the lifting bars (shaded areas in the figure 1).

Caution: Do not drop or bump the generator when transporting.

Do not place heavy objects on the generator.

When transporting the generator by loading it onto a vehicle, secure vehicle to the generator frame as shown (See figure 2).

LIFTING BARS

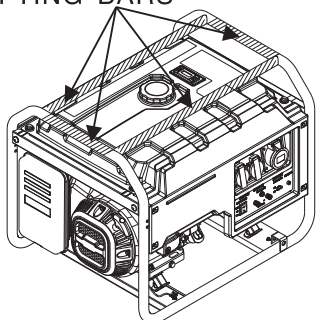


Figure 1

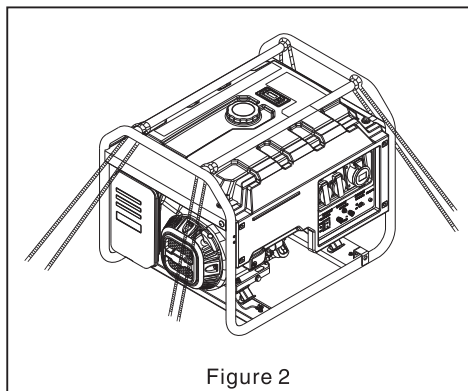
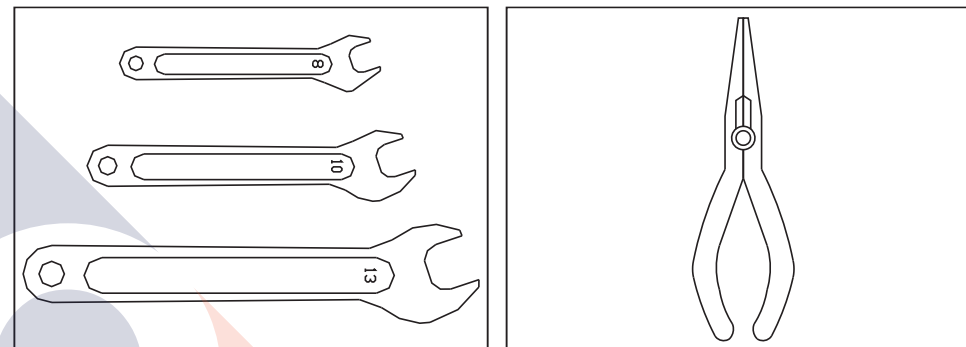


Figure 2

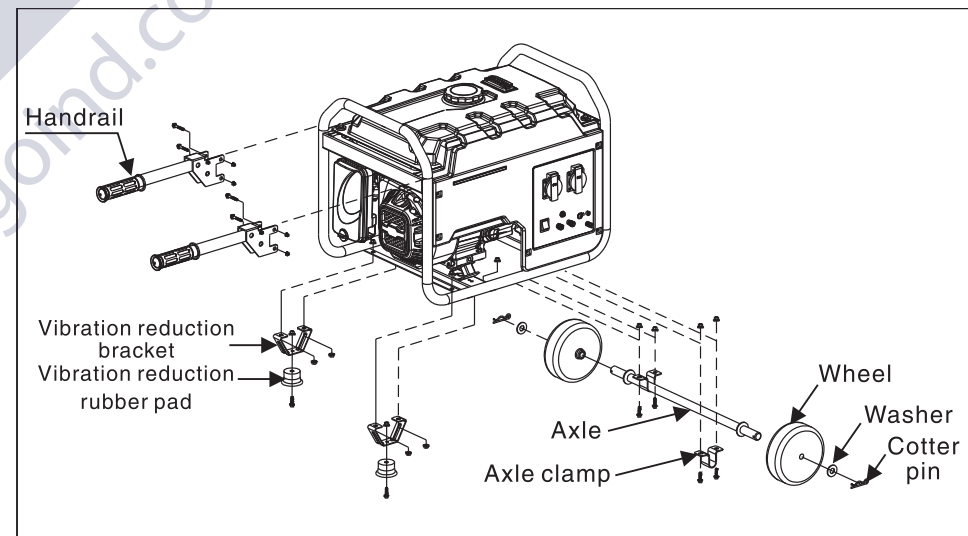
Installation of Accessories

You can install the wheel assemblies to conveniently move the unit. You may need to prepare the following equipment prior to installation.

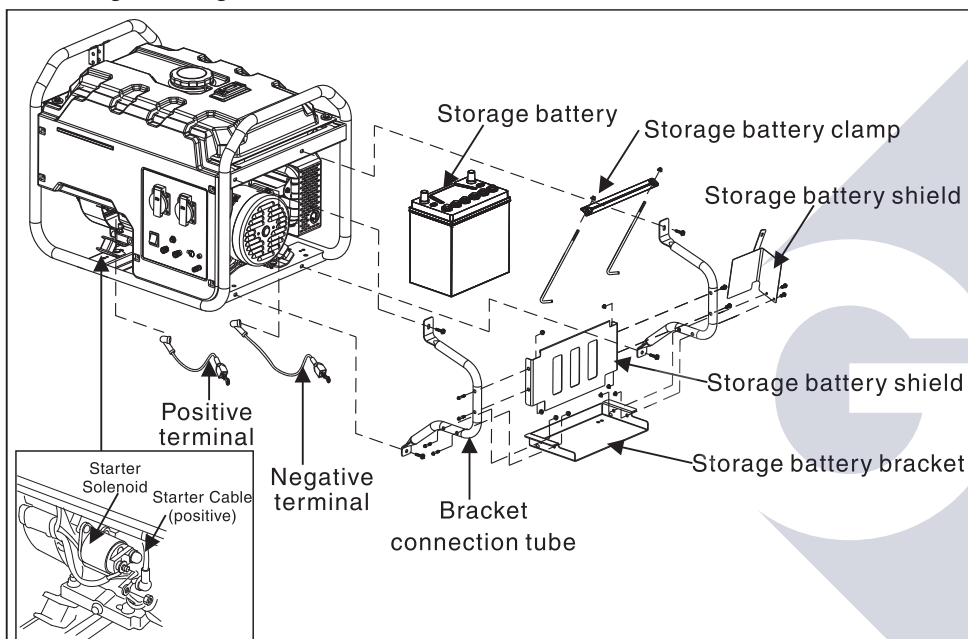


According to the different model configurations, there are several kinds of wheels kits. Please install the handle, vibration reduction bracket and wheel on the base plate and tighten the bolt as shown in the following picture.

- **Two-wheel long axle (applicable to generator units of P6500 / P6500T / P6500W / P8000 / P8000T / P8000W series)**



Some of the units, which are electric start generators, must be equipped with an external storage battery bracket. Please install according to the following drawing.



Operating steps and installation instructions:

- 1 Install the positive terminal and negative terminal onto the generator set as specified in the drawing.
- 2 Install the storage battery bracket onto the bracket connection tube.
- 3 Install the storage battery shield onto the bracket connection tube.
- 4 Install the assembled bracket onto the unit.
- 5 Insert the storage battery into the bracket.
- 6 Hook the hook bolt to the hole of the bracket, and install it onto the storage battery clamp.
- 7 Tighten the bolt and install the storage battery on the bracket.
- 8 Connect the storage battery wires and connect the negative one first. The connected terminals may be different as the models of the storage batteries are different. Take material object as standard.
- 9 Some storage batteries must be filled with electrolyte before installation. Please carefully read the specification of the storage battery.

Power Ratings of Common Appliances

Electric equipment		Rated power(W)	Starting power(W)
Flat panel television 27"		120	120
Energy saving lamp		5~50	5~50
Electric cooker		1000	1000
Computer		400	400
DVD		100	100
Refrigerator		50	300

Electric equipment		Rated power(W)	Starting power(W)
Household Appliances	Washing machine 	250	500
	Electric fan 	50	100
	Air-conditioner 2HP 	1600	3200
Tools	Electric welder 	2500	5000
	Electric hammer 	1000	1500
	Water pump 	800	1200

The starting power ratings of the appliances are far higher than the operating levels. Please read the labels on the electrical equipment for reference. The total power of the loads should not exceed the rated power of the generator.

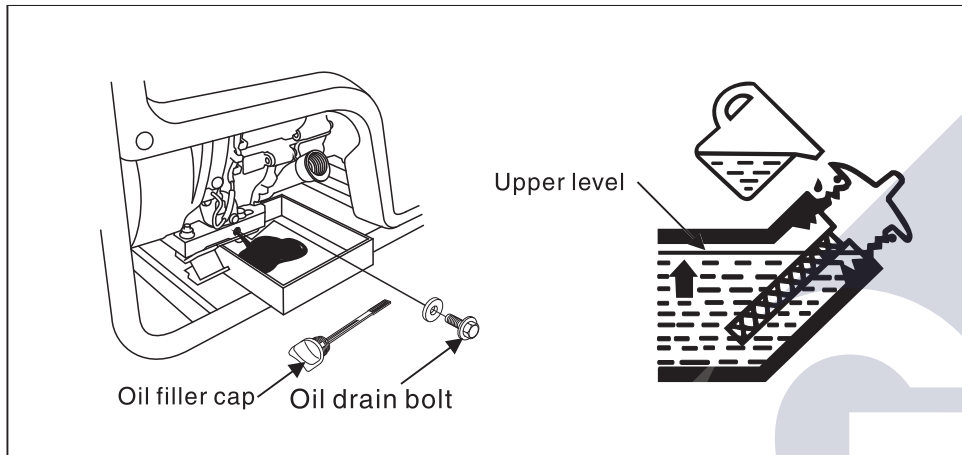
Maintenance

Proper maintenance is the best way to ensure safe, economical and trouble-free operation. It also contributes to environmental protection. Maintenance schedule is as follows:

Schedule for regular maintenance		Per use	Every 50 hours or every 3 months (3)	Every 100 hours or every 6 months (3)	Every 300 hours or every year (3)
Engine oil	Inspect the oil level	○			
	Replace		○	○	
Air cleaner	Inspect	○			
	Clean		○ (1)		
Fuel switch sediment cup	Clean			○	
Spark plug	Clean			○	Replace
Valve clearance	Readjust				○ (2)
Cylinder head	Wash	Every 300 hours (2)			
Fuel tank and strainer	Wash	Every 2 years (2)			
Fuel tube	Replace	Every 2 years (2)			

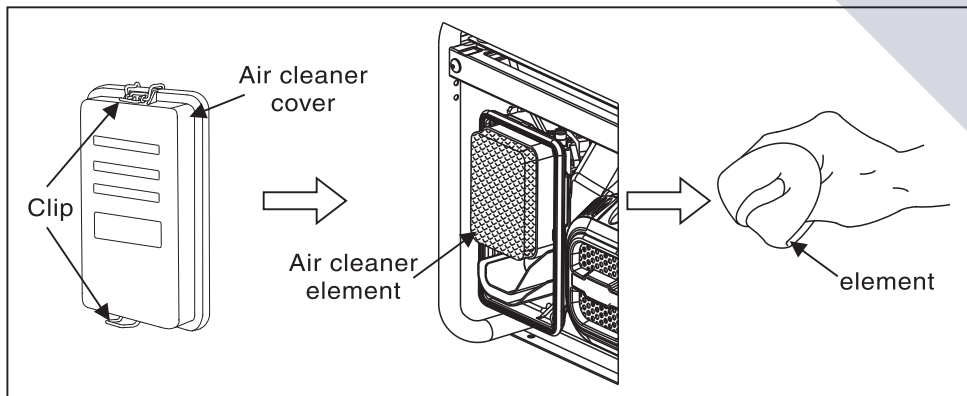
- (1) Maintenance should be done frequently if the unit is used in dusty places.
- (2) Maintenance should be done by the franchised dealer.
- (3) When the unit is used frequently, please do the maintenance according to the above mentioned intervals to ensure a long life span for the generator.

● Replace the engine oil



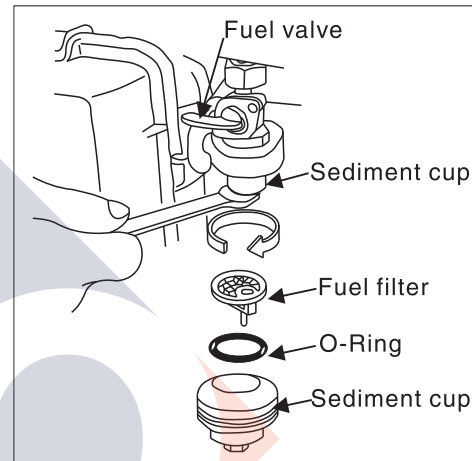
Remove the oil draining bolt and drain the old oil. Tighten the oil draining bolt and twist off the oil dipstick. Add the necessary amount of oil using the oil dipstick and keep the oil level between MIN and MAX.

● Clean the air cleaner



- 1 Unhook the clamps on the air cleaner cover and remove it.
- 2 Inspect the air cleaner element and ensure that it is clean and intact.
- 3 If the foam cleaner element is dirty, spray some household cleaning agent onto the cleaner element. Scrub it for several minutes and rinse with warm water. If the cleaner element is damaged, replace with a new one.

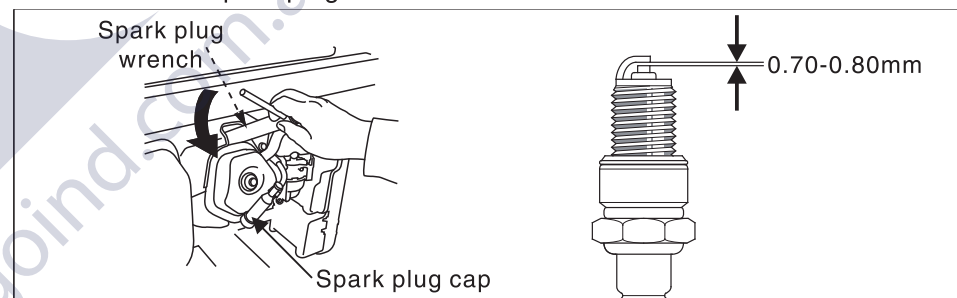
● Clean the fuel valve lever sediment cup



1. Close the fuel valve and remove the sediment bowl. Take out the O-type seal ring and strainer.
2. Clean the sediment bowl, O-type seal ring and strainer with incombustible or high-flash solvent.
3. Reinstall the O-type seal ring and strainer, and tighten the sediment bowl.
4. Open the fuel valve and inspect for leakage.

● Clean the spark plug

Recommended spark plug models: F7RTC and F7TC



- 1 Remove the spark plug cap.
- 2 Clean the spark plug base.
- 3 Remove the spark plug with the spark plug socket wrench.
- 4 Inspect the spark plug insulator for damage. If it is damaged, replace a new one.
- 5 Measure the spark plug gap with a gap gauge. Twist the side electrode to adjust the gap. The gap should be kept between 0.70 and 0.80 mm.
- 6 Make sure the washer on the spark plug is in good condition.
- 7 Reinstall the spark plug and tighten it with the spark plug socket wrench. Press down the washer of the spark plug and put the spark plug cap back on.

● **Valve clearance**

(should be done by a qualified professional)

Figure 1 applicable to P3000 / P3000W / P6500 / P6500T / P6500W.

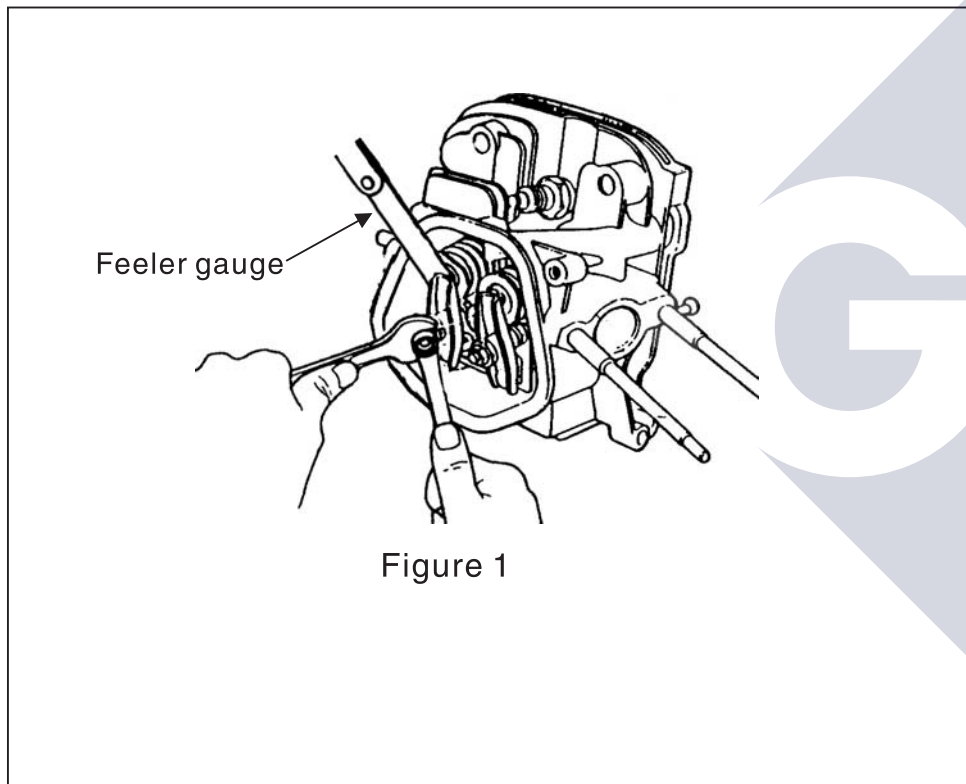


Figure 1

Remove the cylinder head cover and measure the valve clearance with the feeler gauge. The clearances are 0.1mm for the inlet valve and 0.15mm for the outlet valve.

Troubleshooting

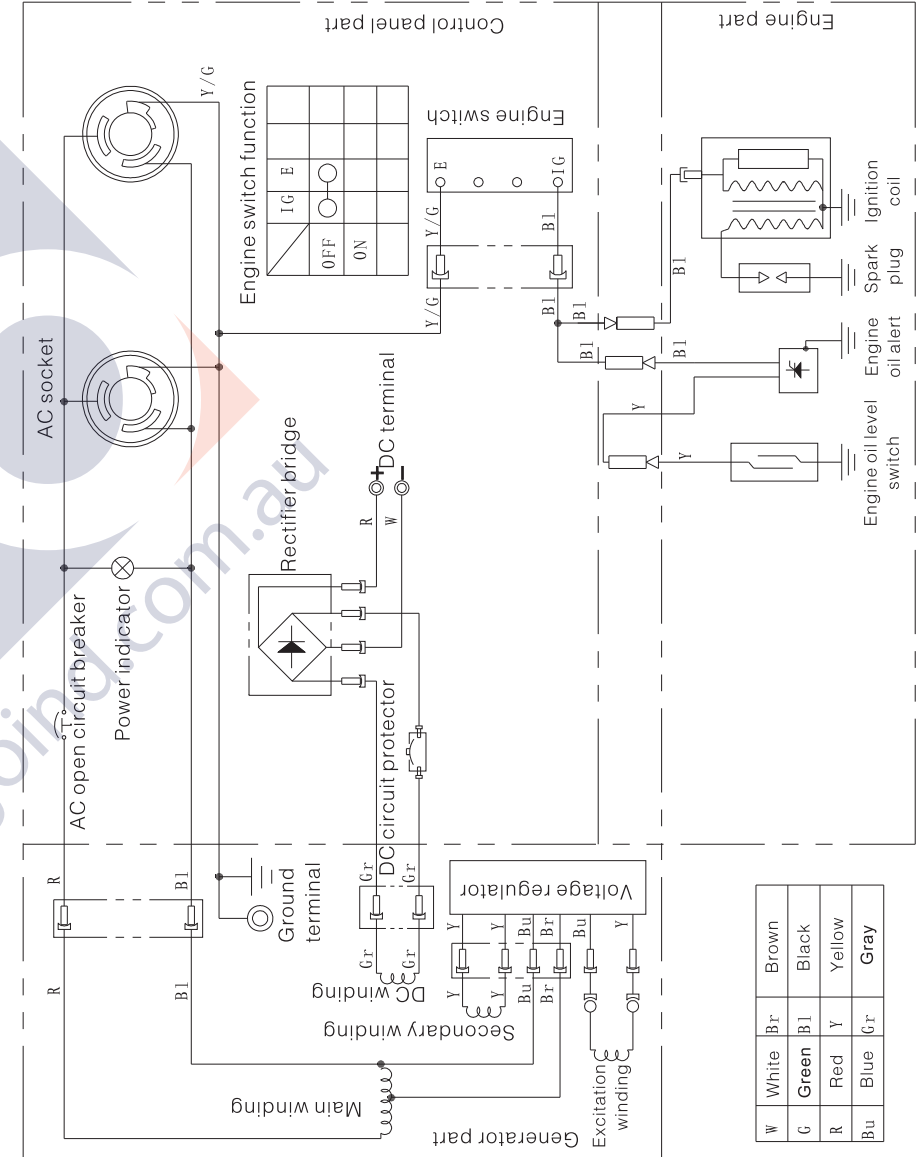
Problem	Problem	Solution
generator does not start	No fuel	Fill the oil tank with gasoline
	The oil switch is not turned on	Turn the oil switch to ON
	The oil switch is blocked	Clean the oil cup (see page 30)
	No engine oil or the engine oil level is low	Add oil
	The shutdown switch is turned off	Turn the switch to the "on" position
	The spark plug fails	Clean or replace the spark plug (see page 30)
no power output	The circuit breaker is not connected	Turn the circuit breaker to the "on" position
	The plug is poorly contacted	Replace a socket
Vibration while operating	The choke position is incorrect	Move the choke to the "on" position during operation
Vibration while operating	The temperature of the engine is too low	Let the engine run at empty load for more than 10 minutes
	The fuel oil is contaminated	Replace with clean oil
Generator emits black smoke	The air filter is dirty	Clean the filter element of the air filter
	The load is too high	Reduce load to the rated limit
The generator emits blue smoke	The engine oil is too high	Drain out some oil
	The engine oil type is incorrect	Choose appropriate engine oil type(see page 17)
Drop in power	The spark plug fails	Clean or replace the spark plug (see page 30)
	The valve clearance is beyond its limits	Adjust the valve clearance (see page 31)

- The environmental requirements of the generator:
- Suitable temperature: -15°C-40°C (59°F-104 °F).
- Suitable humidity: below 95%.

- Suitable altitude: under 1,000 meters[or 3,280 feet] (it should be used with lower power in districts above 1,000 meters in altitude.).
- The generator set can only be loaded to the rated power under the specified environment conditions. If the environment conditions do not meet the above standards, or if the cooling conditions of the engine and generator set are defective; for example, when operating in small spaces, it is necessary to reduce the power. It is also necessary to reduce the power when the temperature, altitude and relative humidity exceed the standards.
- If the problem is not listed above, please contact your nearest dealer or after-sales service center.

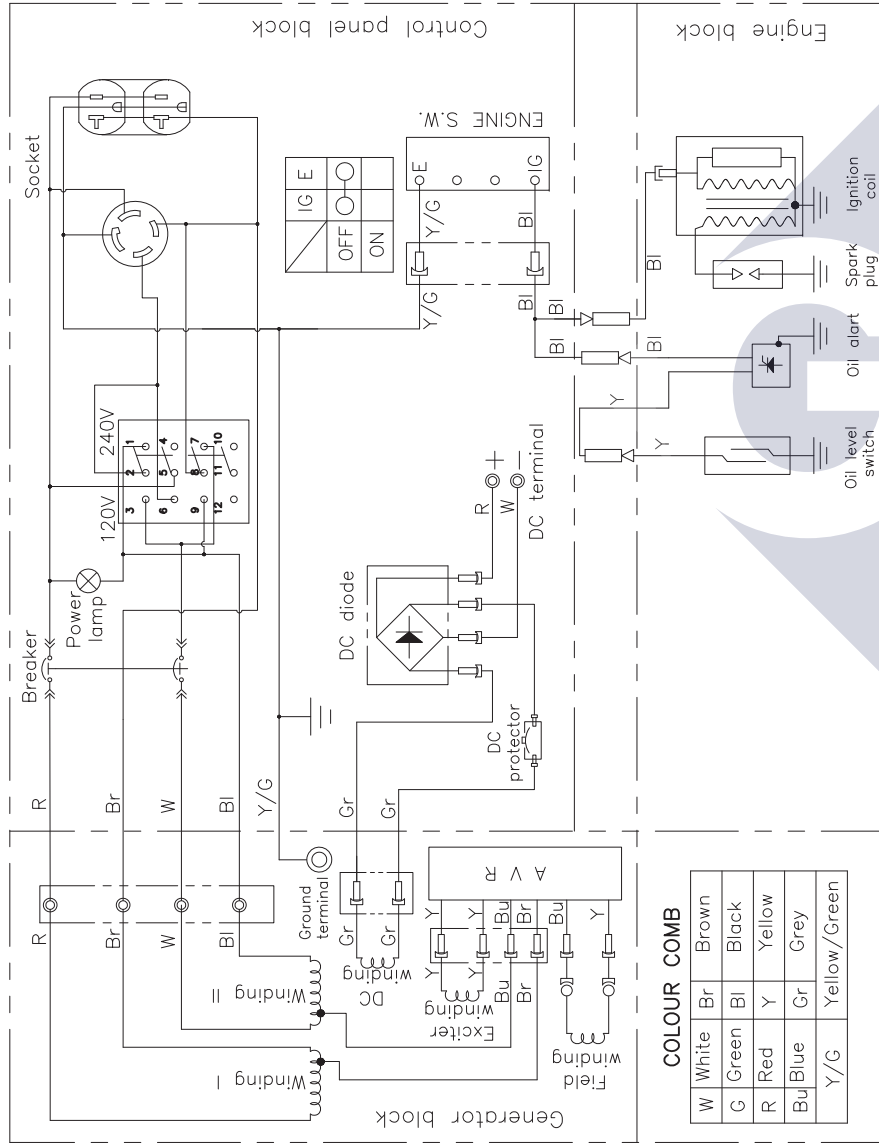
Electrical schematic diagram

- **Electrical schematic diagram 1**
(applicable to P3000)



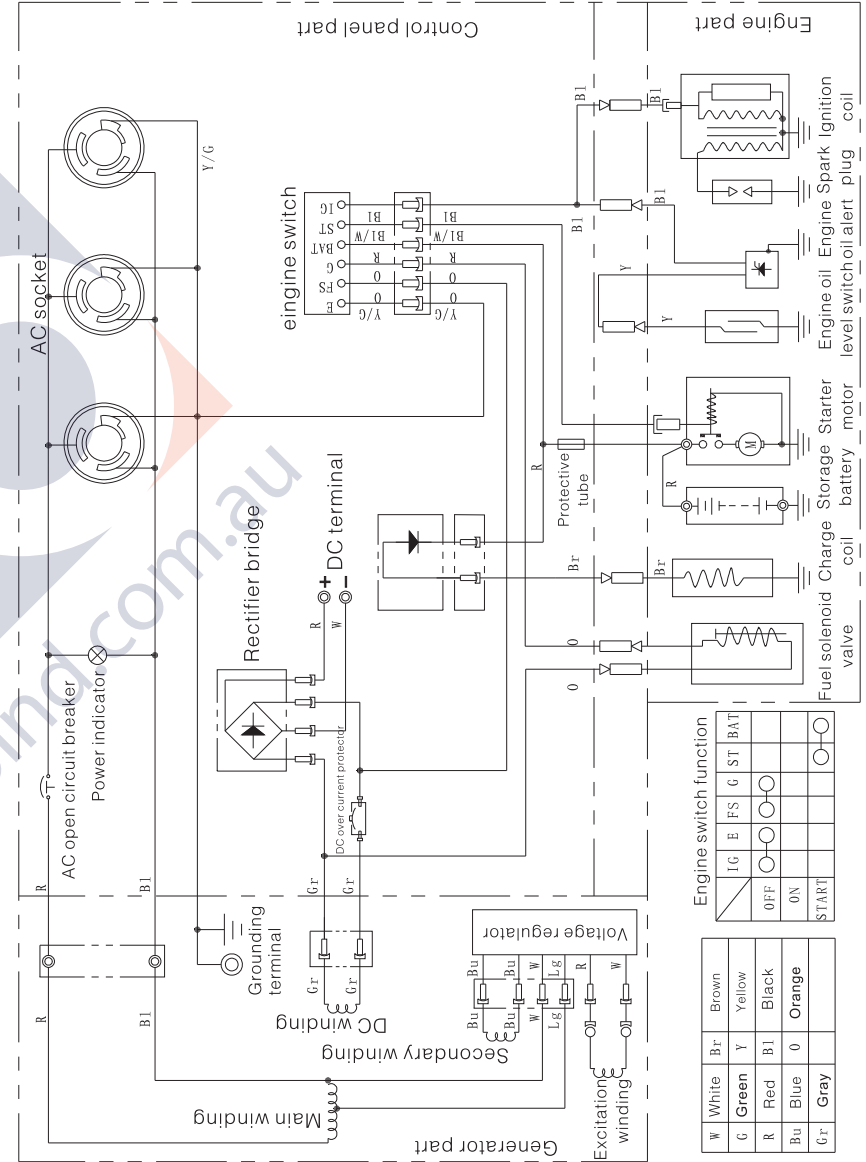
● Electrical schematic diagram 2

applicable to P3000W

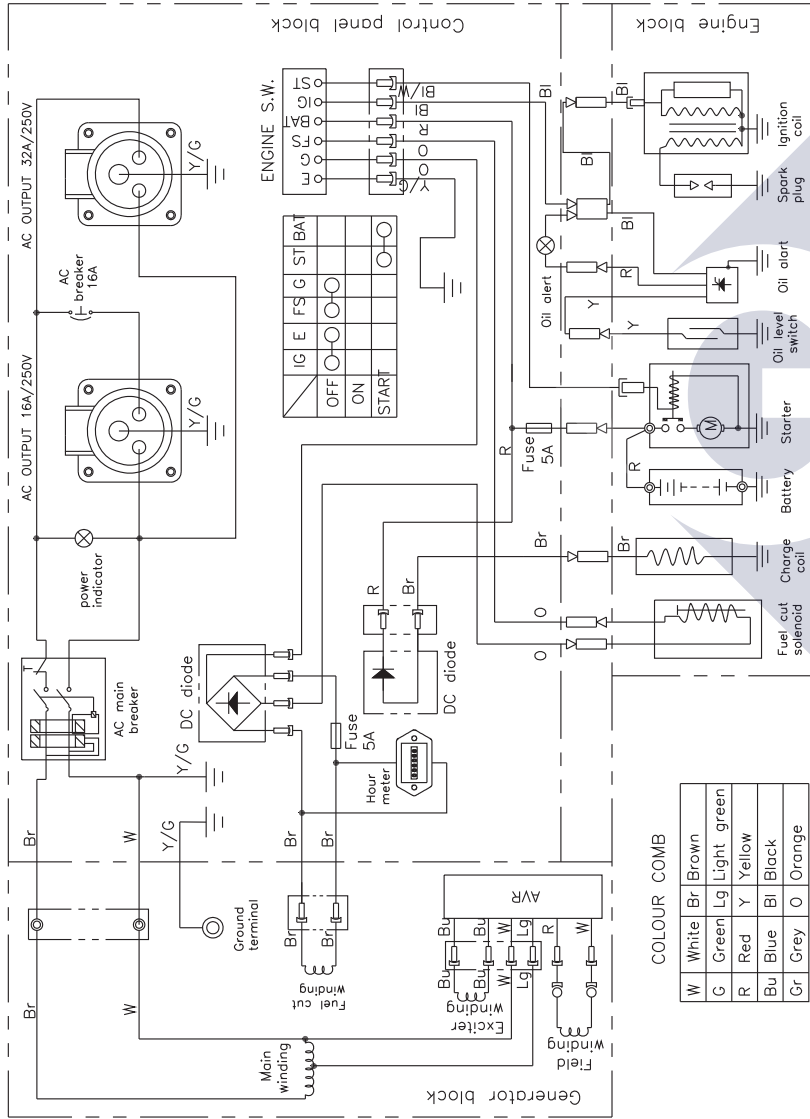


● Electrical schematic diagram 3

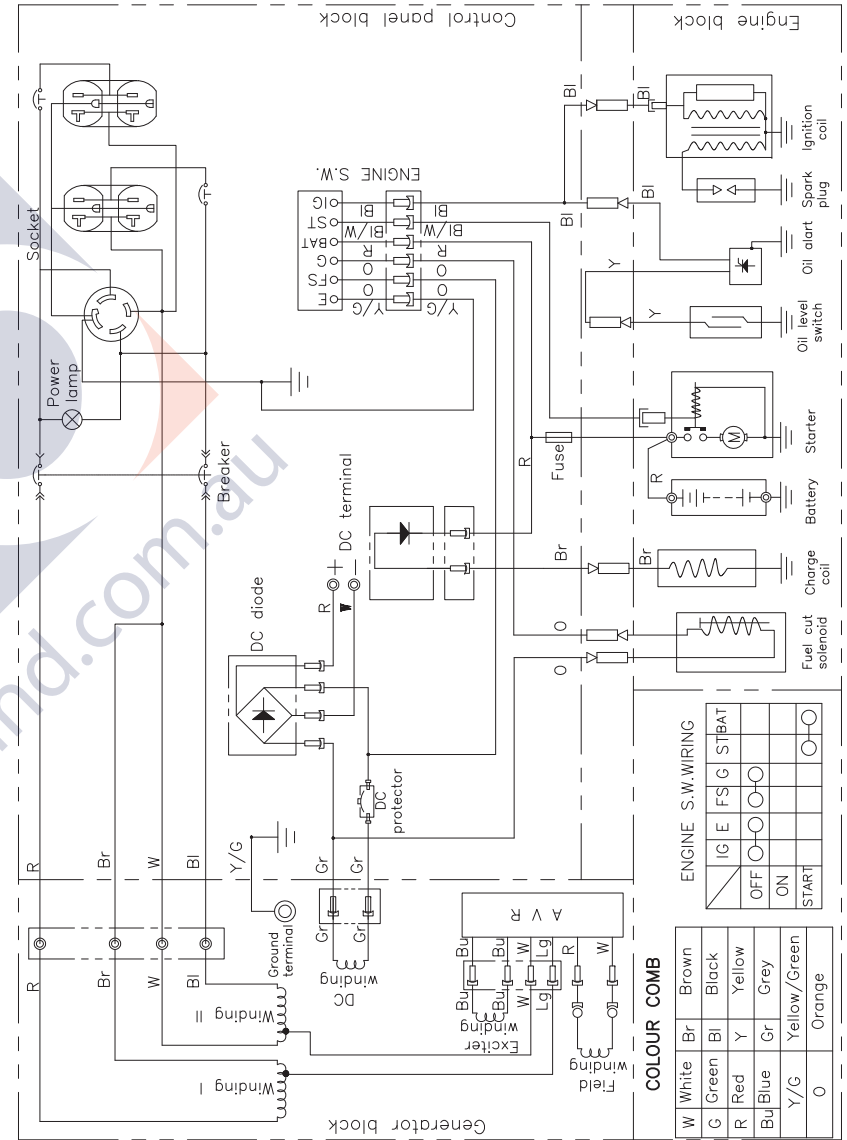
applicable to P6500 / P8000



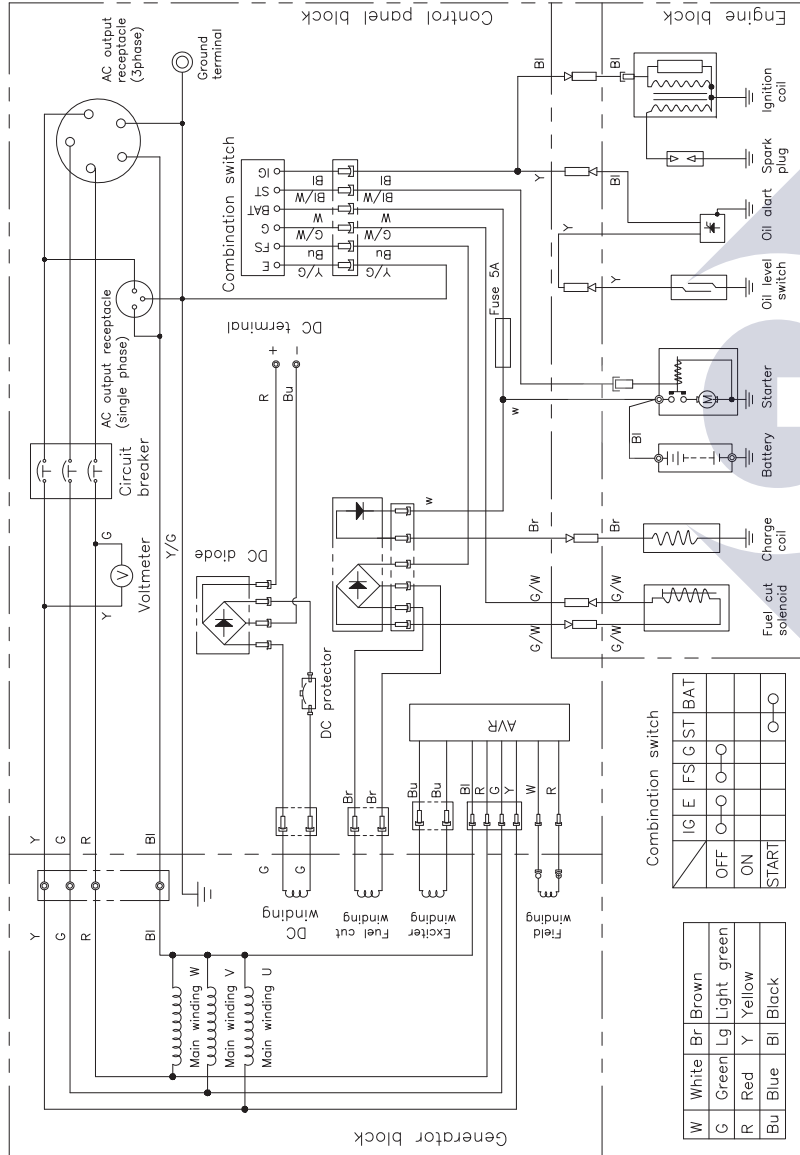
● Electrical schematic diagram 4
applicable to P6500 / P8000 (IP67)



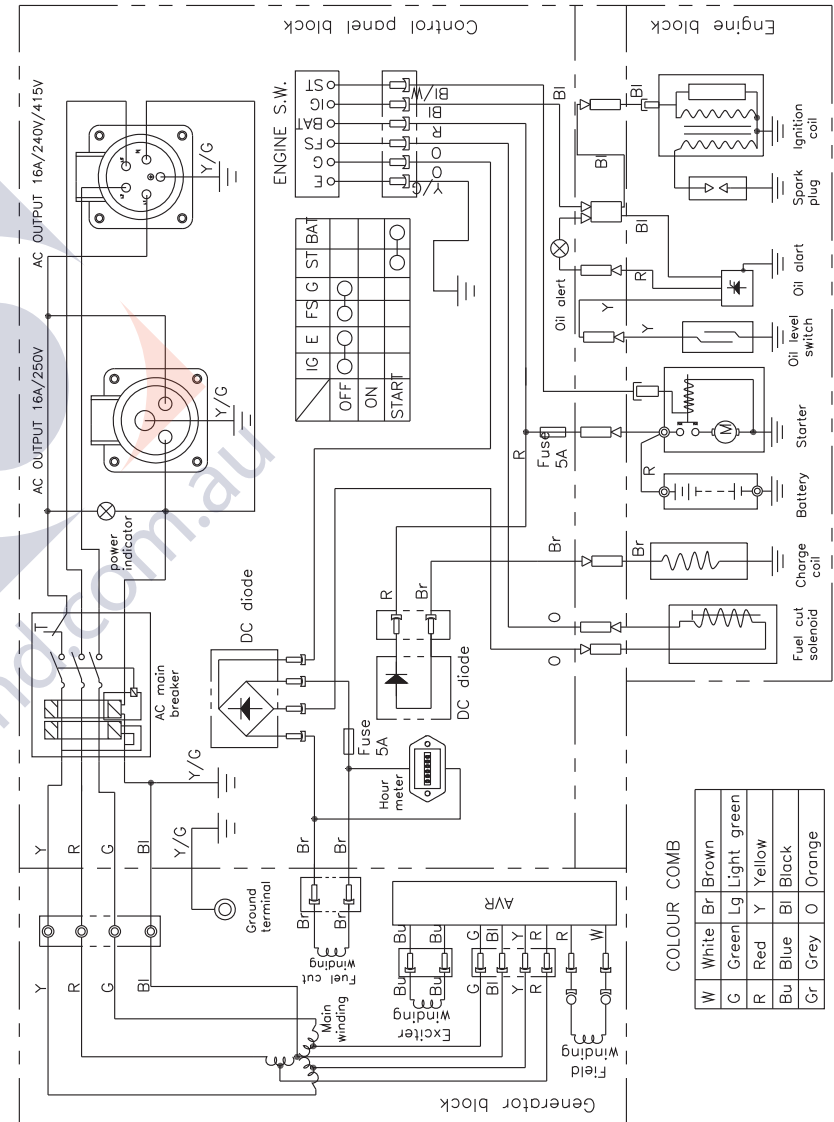
● Electrical schematic diagram 5
applicable to P6500W / P8000W



● Electrical schematic diagram 6
applicable to P6500T / P8000T



● Electrical schematic diagram 7
applicable to P6500T / P8000T (IP67)



EC Declaration of conformity Declaración CE de Conformidad

Business name and address of the manufacturer:
Nombre y dirección del fabricante:

Loncin Motor Co., Ltd.
No.99 Hualong Road, Jiulong Industrial Park, Jiulongpo District, Chongqing, P. R. China

Name and address of the person able to compile the technical file:
Nombre y dirección de la persona facultada para para compilar el Expediente Técnico:

Grupos Electrógenos Europa, S.A.
Polígono Pítarco II
Parcela Nº 20
50.450 MUEL (Zaragoza) SPAIN

We declare that the following machine:
Nosotros declaramos que la máquina:

- Model/ Modelo: P3000, P6500, P6500T

Meets all the relevant provisions of the following directives:
Cumple todas las disposiciones aplicables de las siguientes directivas:

2006/42/EC	Machine Security Seguridad de las máquinas
2006/95/EC	Voltage Limits Baja Tensión
2004/108/EC	Electromagnetic Compatibility Compatibilidad electromagnética
2000/14/EC	Noise emission by equipment for outdoor use Emisiones sonoras en el entorno debido a máquinas de uso al aire libre

And that given that this machine is not referred to in Annex IV of the directive 2006/42/CE, this declaration is self-certified having established the relevant Technical File.
Y además la máquina no se encuentra entre las recogidas en el anexo IV de la Directiva de máquinas 2006/42/CE por lo que autocertifico esta declaración, habiéndose constituido el el correspondiente Expediente Técnico.

Chongqing,



Long Yu
Product Engineering



Han Fangyong
Manufacturing

Model	P3000	P6500 P6500T
Measured sound power level LWA Nivel de Potencia acústica medida LWA	95.5 dBA	96.96 dBA
Guaranteed sound power level LWA Nivel de potencia acústica garantizada LWA	96 dBA	97 dBA

Evaluation procedure of Total Quality assurance as per annex VI, 2000/14/EC (NB: SCNH- Luxembourg # 0499)
Procedimiento de evaluación de garantía total , según anexo VI 2000/14/CE (NB: SCNH- Luxemburgo# 0499)

EC Declaration of conformity Declaración CE de Conformidad

Business name and address of the manufacturer:
Nombre y dirección del fabricante:

Loncin Motor Co., Ltd.
No.99 Hualong Road, Jiulong Industrial Park, Jiulongpo District, Chongqing, P. R. China

Name and address of the person able to compile the technical file:
Nombre y dirección de la persona facultada para para compilar el Expediente Técnico:

Grupos Electrógenos Europa, S.A.
Polígono Pítarco II
Parcela Nº 20
50.450 MUEL (Zaragoza) SPAIN

We declare that the following machine:
Nosotros declaramos que la máquina:

- Model/ Modelo: P8000, P8000T

Meets all the relevant provisions of the following directives:
Cumple todas las disposiciones aplicables de las siguientes directivas:

2006/42/EC	Machine Security Seguridad de las máquinas
2006/95/EC	Voltage Limits Baja Tensión
2004/108/EC	Electromagnetic Compatibility Compatibilidad electromagnética

And that given that this machine is not referred to in Annex IV of the directive 2006/42/CE, this declaration is self-certified having established the relevant Technical File.
Y además la máquina no se encuentra entre las recogidas en el anexo IV de la Directiva de máquinas 2006/42/CE por lo que autocertifico esta declaración, habiéndose constituido el el correspondiente Expediente Técnico.

Chongqing,



Long Yu
Product Engineering



Han Fangyong
Manufacturing