

DO NOT SCALE FROM DRAWING. IF IN DOUBT: ASK

UNLESS OTHERWISE SPECIFIED, ALL DIMENSIONS ARE IN MILLIMETRES

BEWARE OF 100mm MEASURING ERROR

Tank

TANK CONTENTS	
DESIGNED TO	AS1940 / AS1692
BUILT TO	AS1657 / AS1554.1
PLATE THICKNESS, Material	4/4 mm, Q235B
Pressue Test	35KPA
External size	2496x2294x1270mm
Internal size	2388x2186x1058mm
GROSS VOLUME	5500L
SAFE FILL LEVEL	5000L
N. D. T.	Require By Client
TOTAL MASS	1529.24KG

2"-1/2"socket
1/2"suction pipe/foot valve

2"-1"socket
1"suction pipe/1"foot valve

VI

The hole's edge covered by U-style seal(sides & bottom)

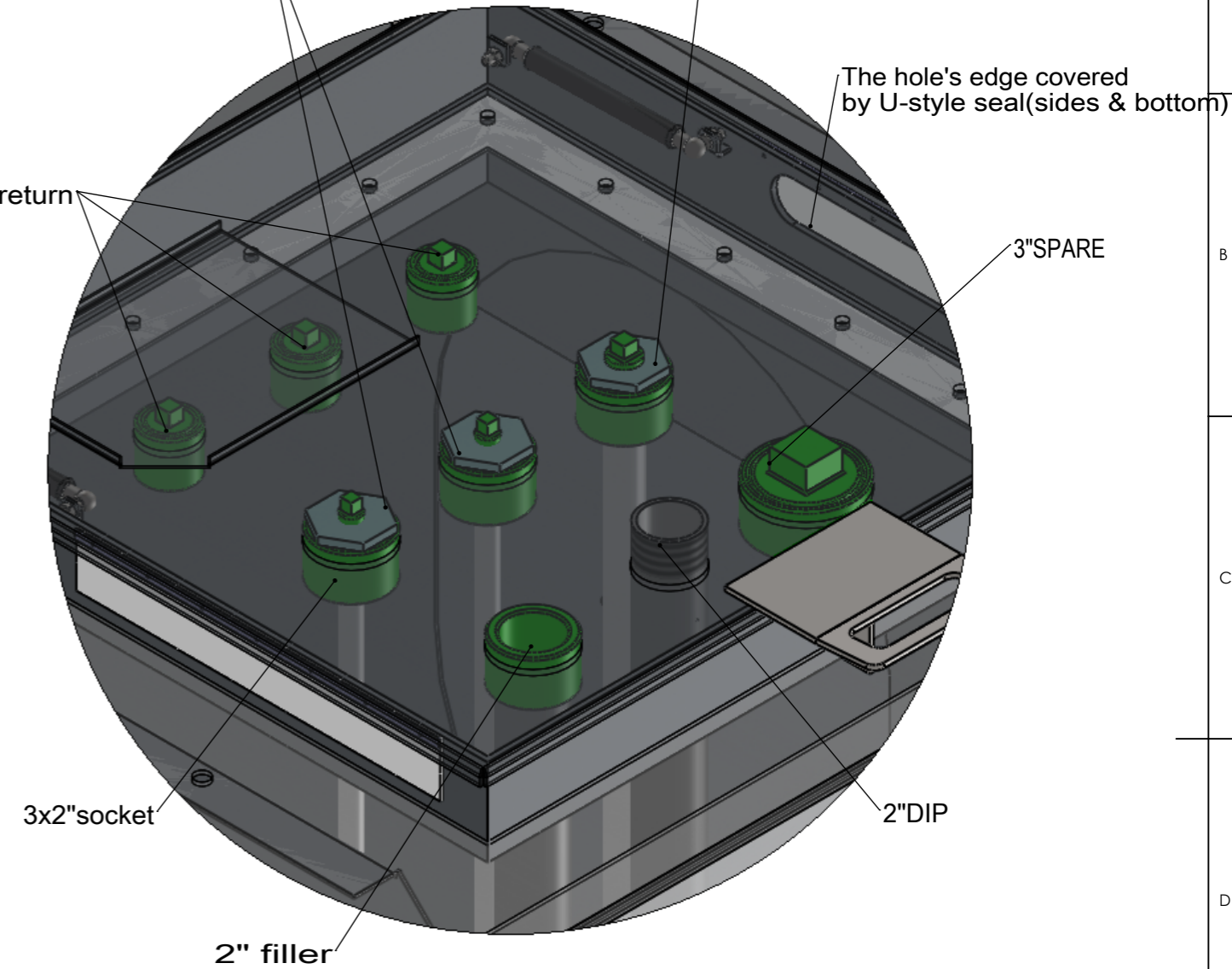
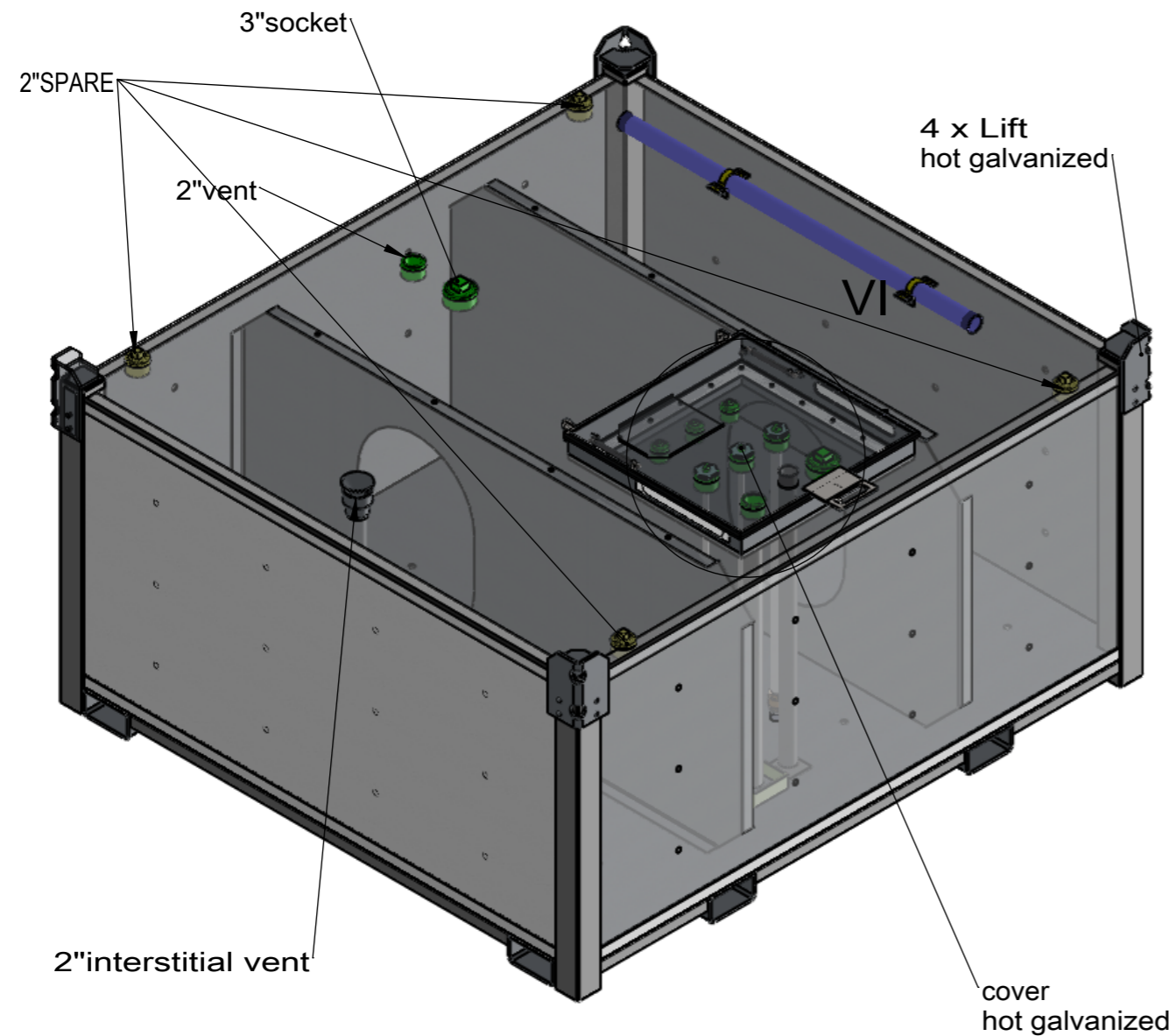
3x1.5"return


3"SPARE

3x2"socket

2"DIP

2" filler

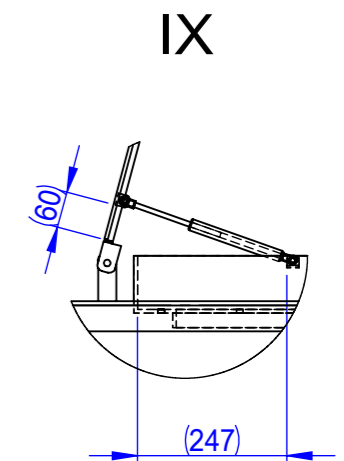
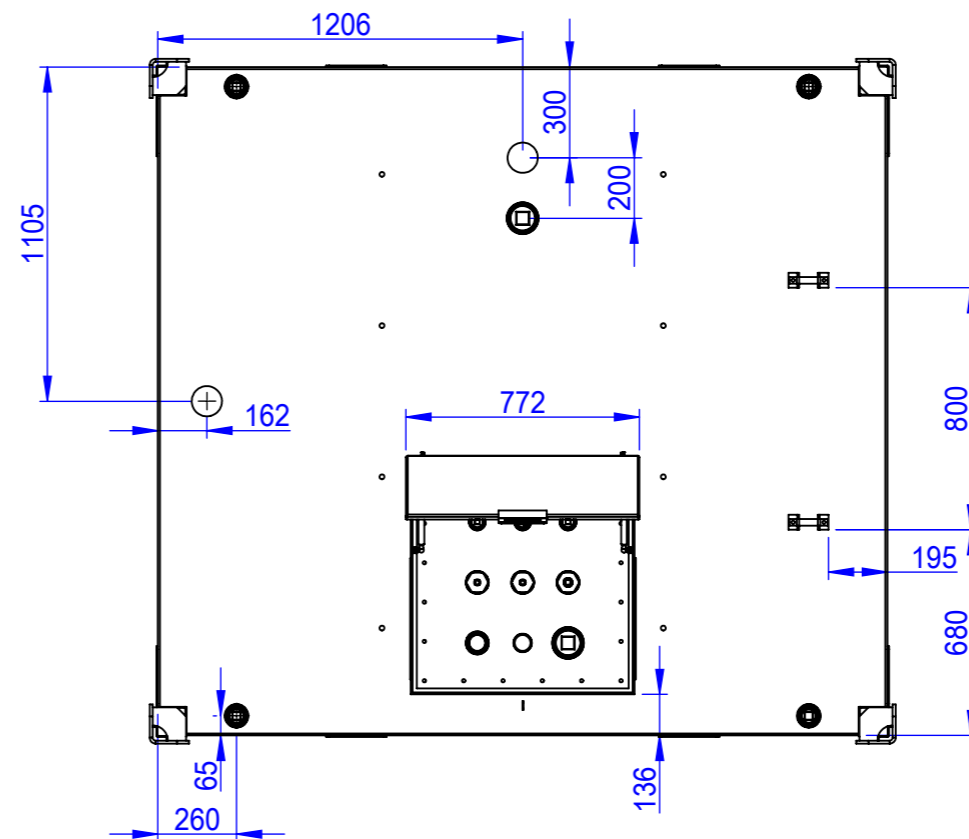
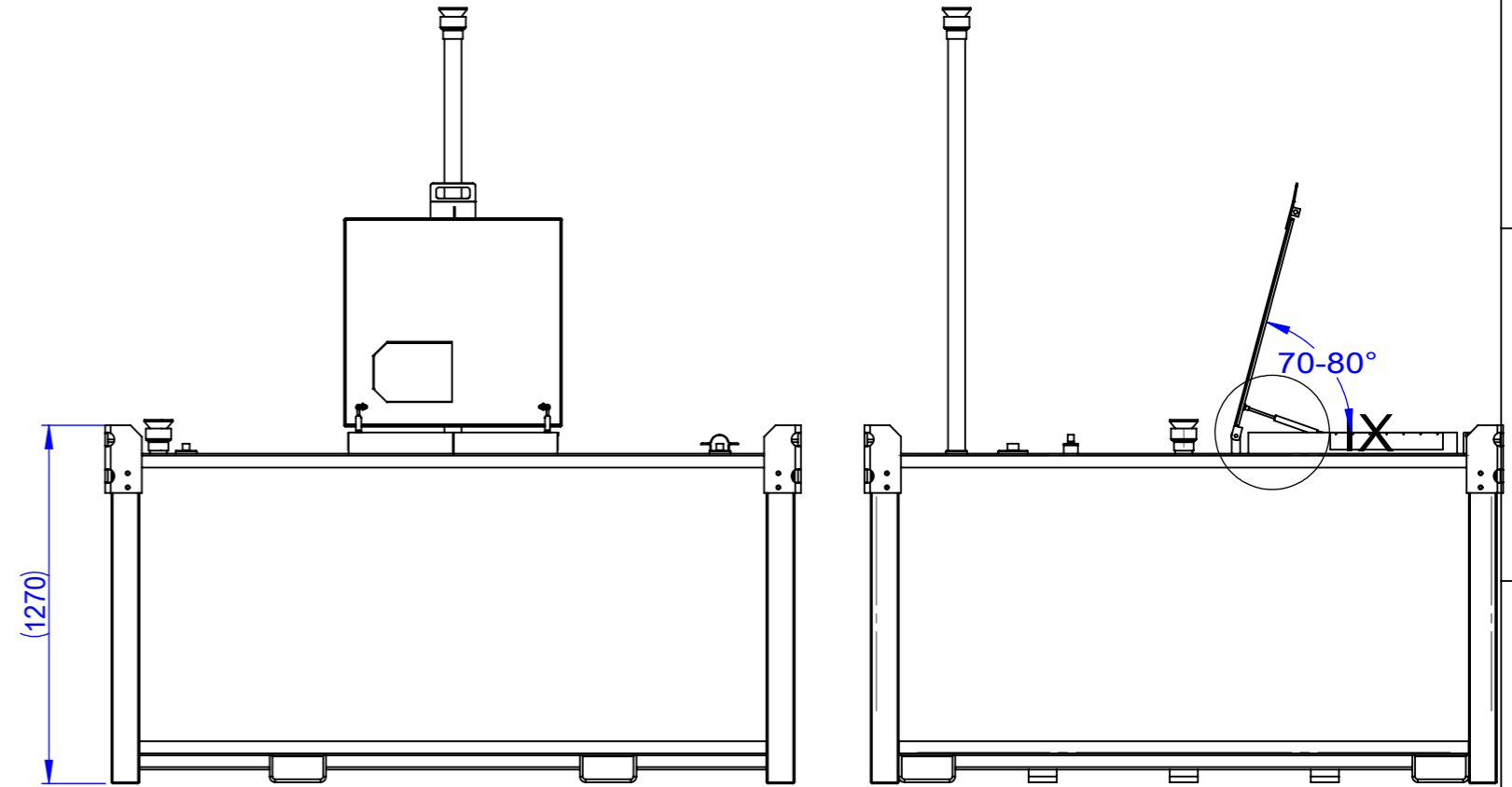
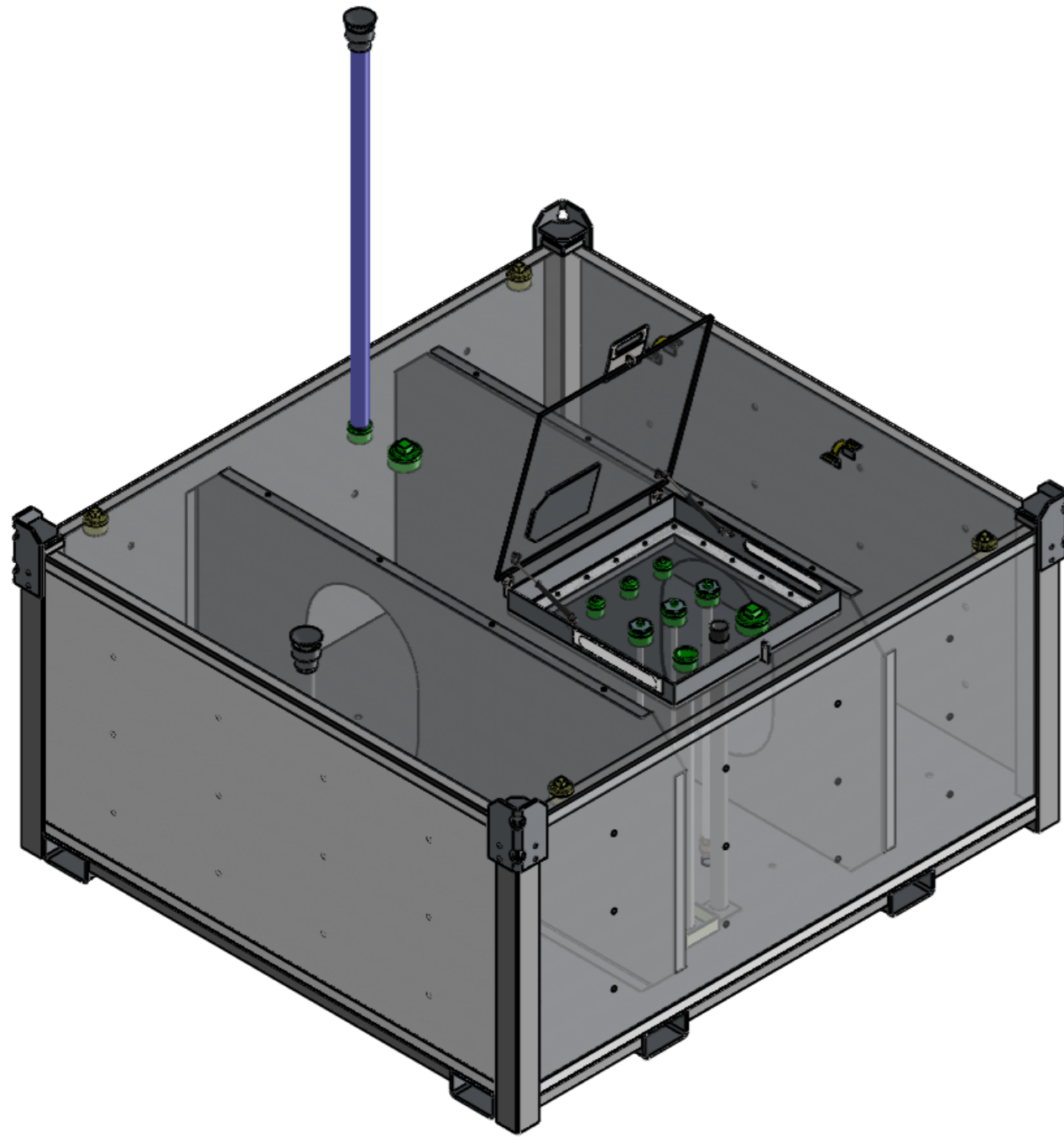


THIRD ANGLE PROJECTION		 goind.com.au	DWG NO. / PART NO.	JOB NO.
			CLIENT: BOX 5500L Self Bunded Tank	
		TITLE:		SHEET SIZE A3
NAME	DATE			REVISION
DRAWN	2021/12/1	TOLERANCE U.N.O.		
CHK'D		0 = -1.0		
APPV'D		0.0 = -0.4		
		0.00 = -0.1		
		MATERIAL:		
		WEIGHT: 1529.24 Kg	SCALE: N.T.S.	SHEET 1 OF 4

DO NOT SCALE FROM DRAWING. IF IN DOUBT: ASK

UNLESS OTHERWISE SPECIFIED, ALL DIMENSIONS ARE IN MILLIMETRES

BEWARE OF 100mm MEASURING ERROR



THIRD ANGLE PROJECTION

NAME	DATE
DRAWN	2021/12/1
CHK'D	
APPV'D	



TOLERANCE U.N.O.
 0 = -1.0
 0.0 = -0.4
 0.00 = -0.1

MATERIAL:
 WEIGHT: 1529.24 Kg

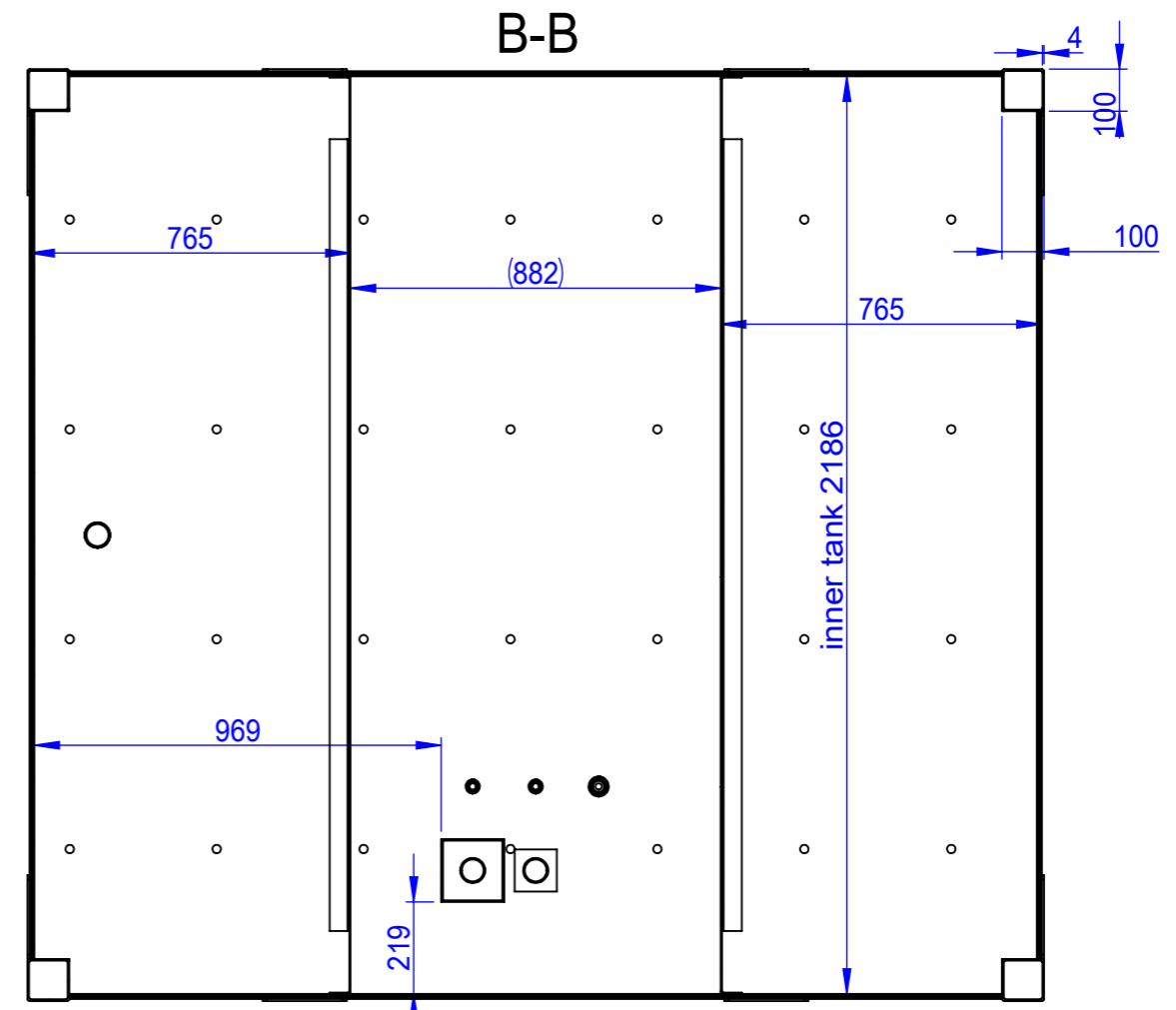
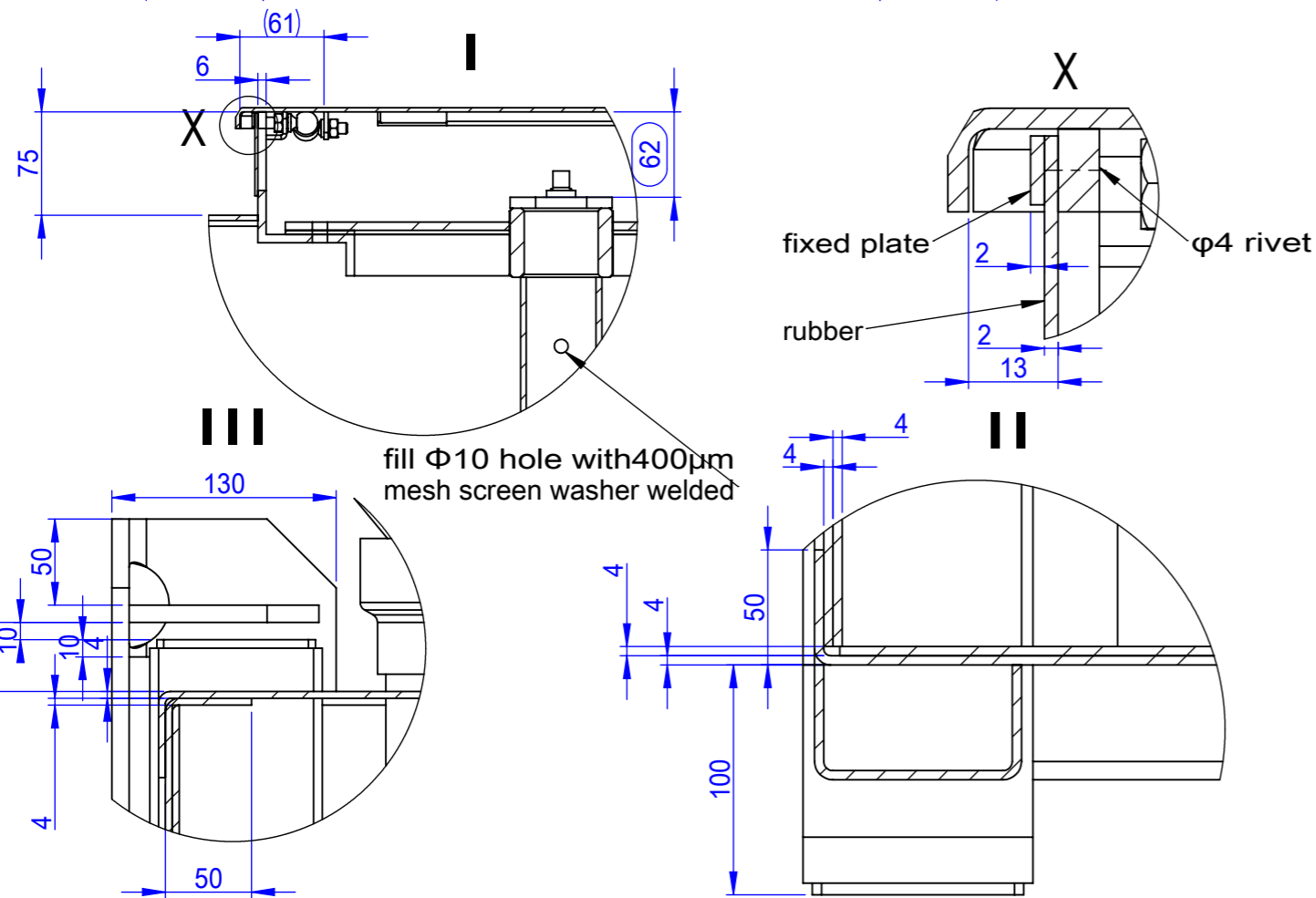
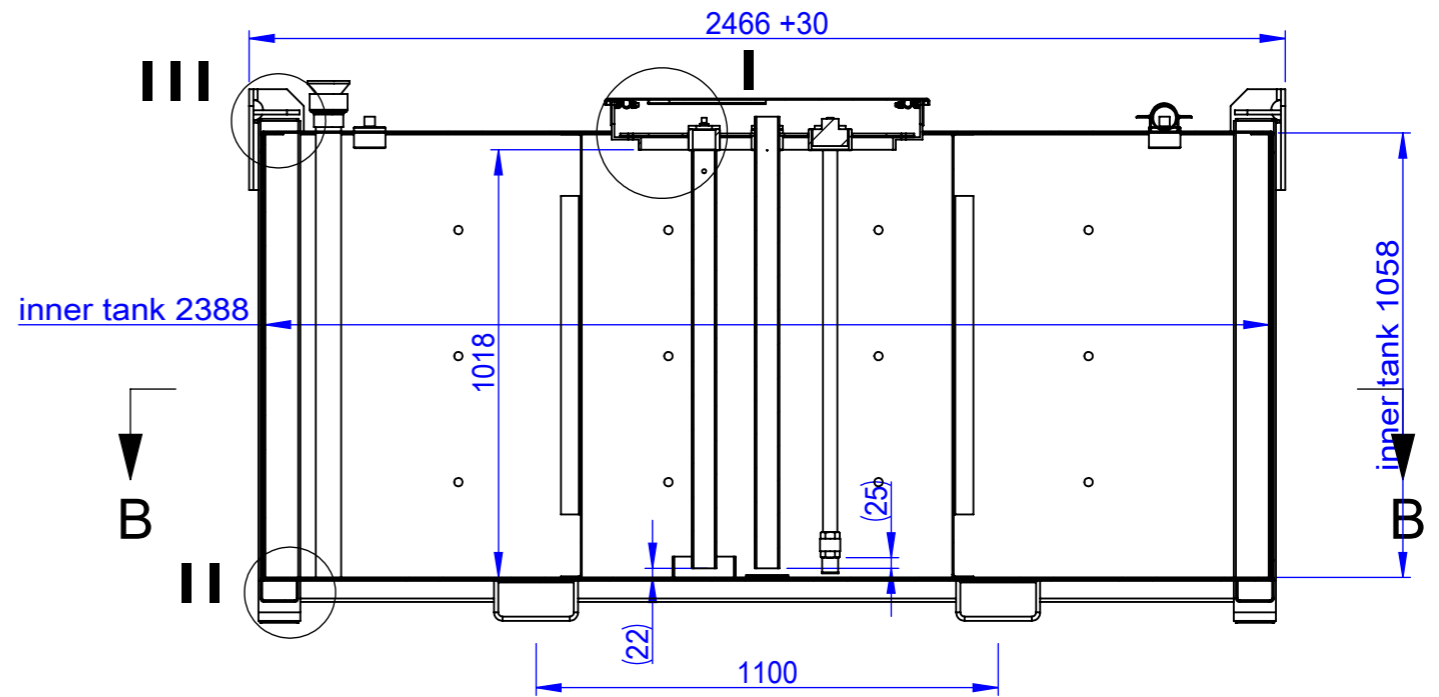
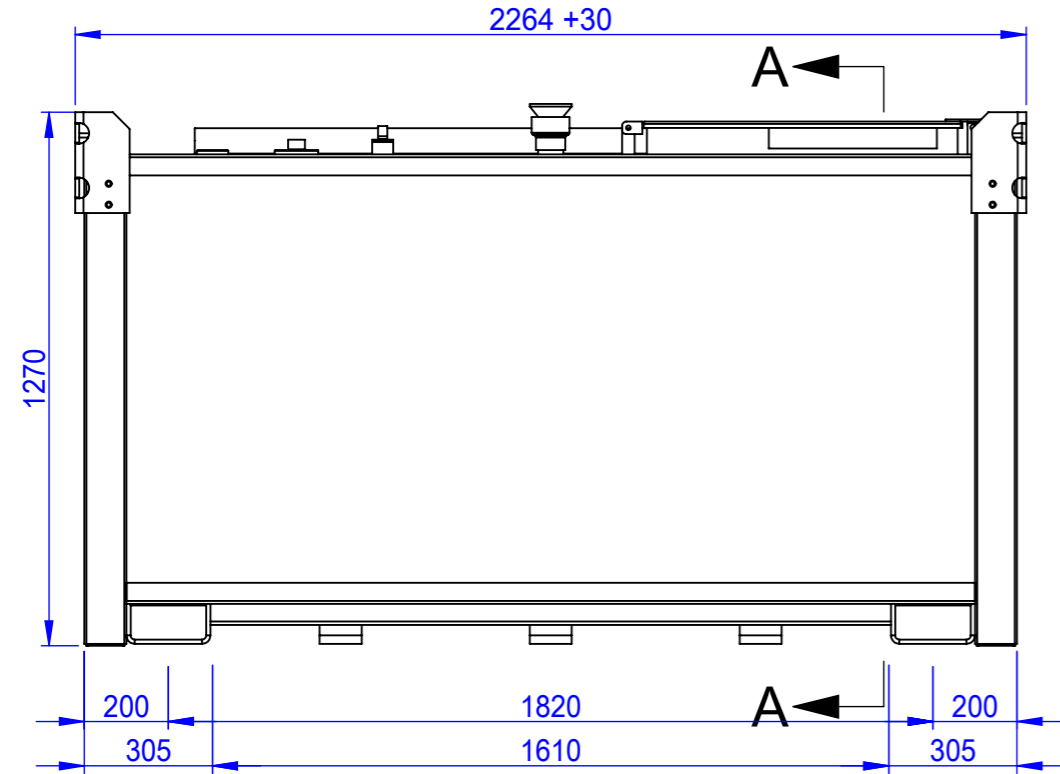
DWG NO. / PART NO.		JOB NO.	
CLIENT: BOX 5500L Self Bunded Tank			
TITLE:			SHEET SIZE A3
SCALE: N.T.S.			REVISION 01
SHEET 2 OF 4			

DO NOT SCALE FROM DRAWING. IF IN DOUBT: ASK

UNLESS OTHERWISE SPECIFIED, ALL DIMENSIONS ARE IN MILLIMETRES

A-A

BEWARE OF 100mm MEASURING ERROR



THIRD ANGLE PROJECTION		DWG NO. / PART NO.		JOB NO.	
		CLIENT: BOX 5500L Self Bunded Tank			
		TITLE:			
		SCALE: N.T.S.		SHEET 3 OF 4	
DRAWN: 2021/12/1		TOLERANCE U.N.O.		SHEET SIZE: A3	
CHK'D:		0 = -1.0		REVISION: 01	
APPV'D:		0.0 = -0.4			
		0.00 = -0.1			
		MATERIAL:			
		WEIGHT: 1529.24 Kg			