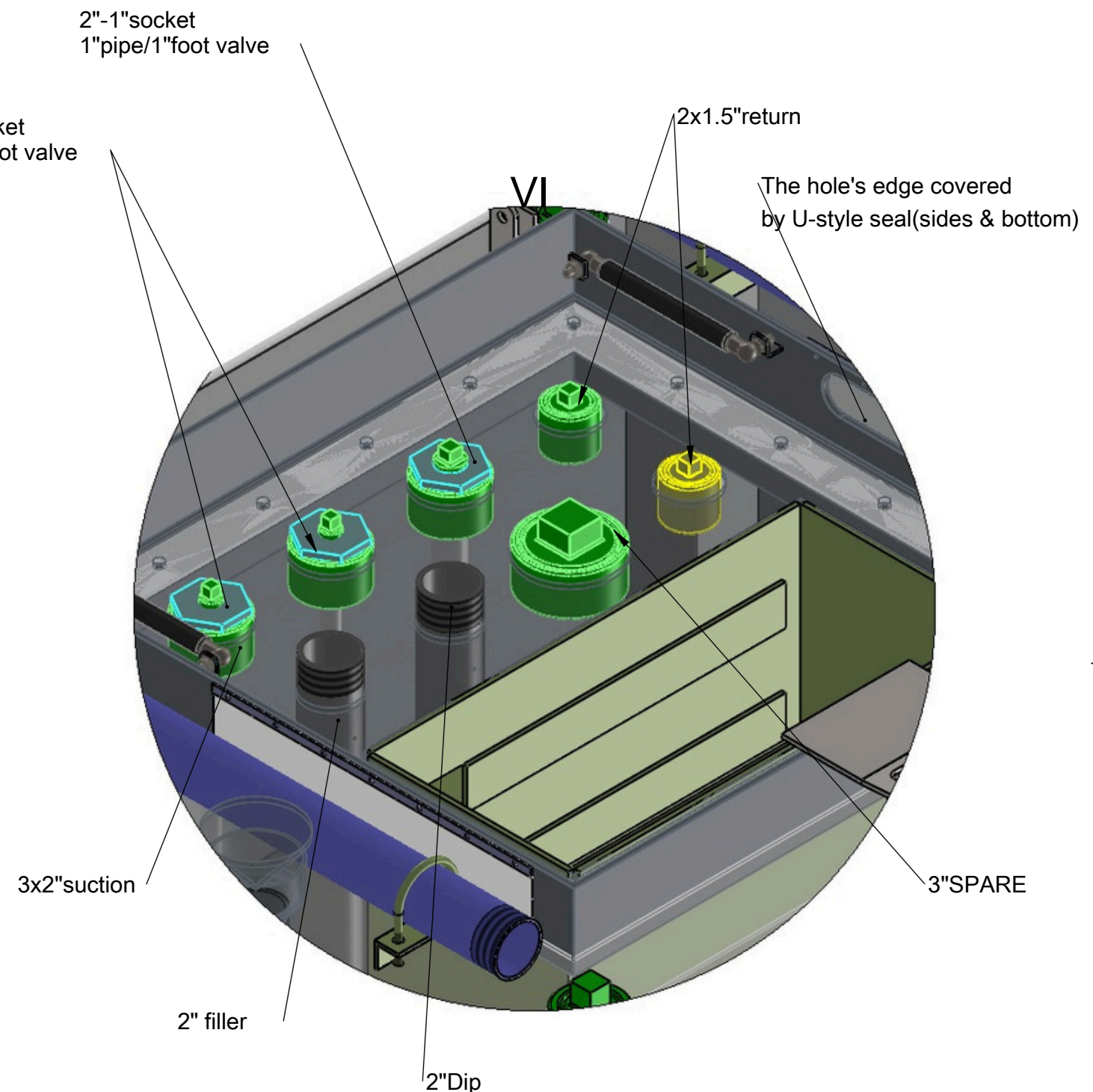
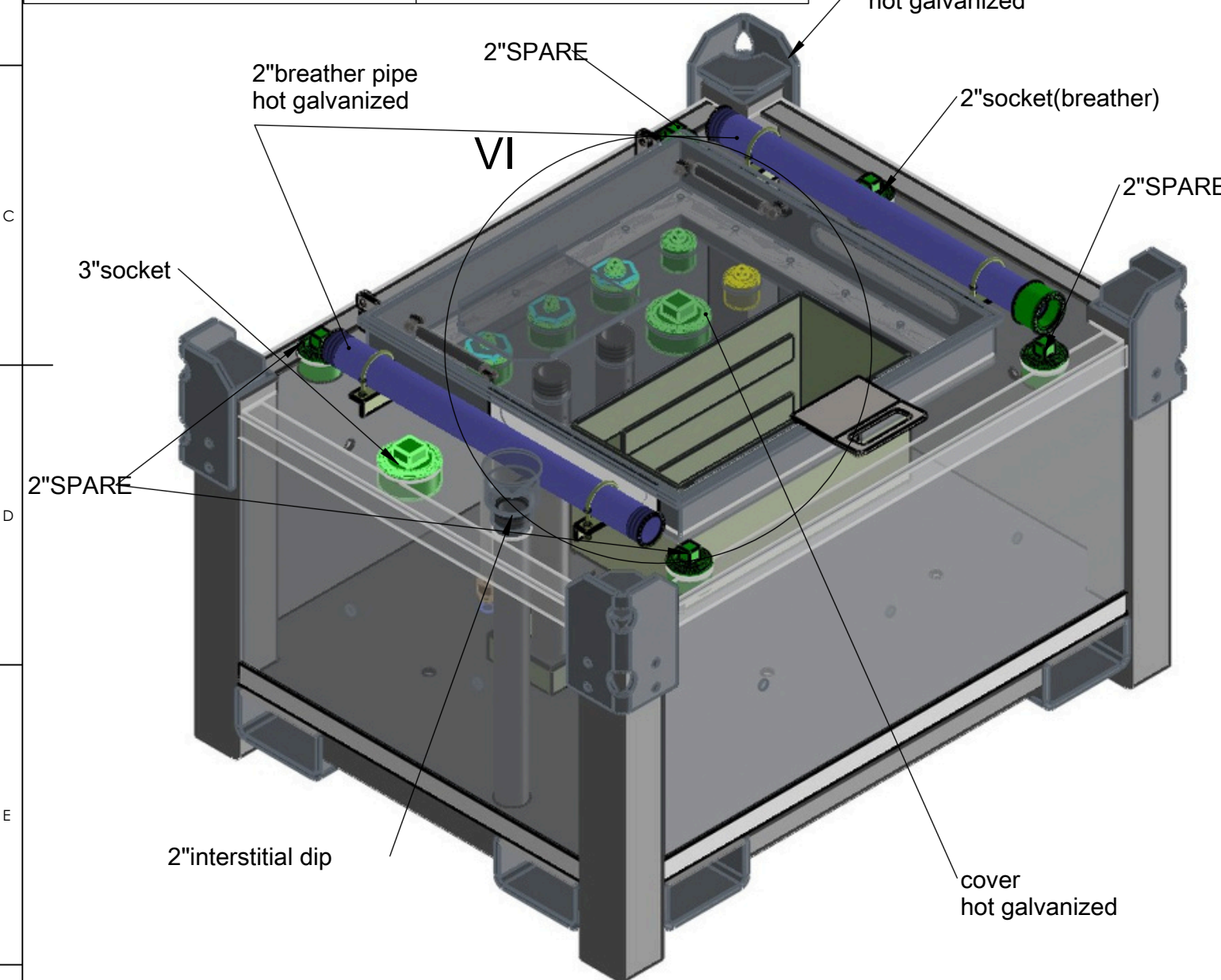


DO NOT SCALE FROM DRAWING. IF IN DOUBT: ASK

UNLESS OTHERWISE SPECIFIED, ALL DIMENSIONS ARE IN MILLIMETRES

BEWARE OF 100mm MEASURING ERROR

Tank	
TANK CONTENTS	
DESIGNED TO	AS1940 / AS1692
BUILT TO	AS1657 / AS1554.1
PLATE THICKNESS,Material	4/4 mm,Q235B
Pressue Test	21KPA
External size	1374x1086x810mm
Internal size	1266x978x548mm
GROSS VOLUME	660L
SAFE FILL LEVEL	600L
N.D.T.	Require By Client
TOTAL MASS	488.19KG



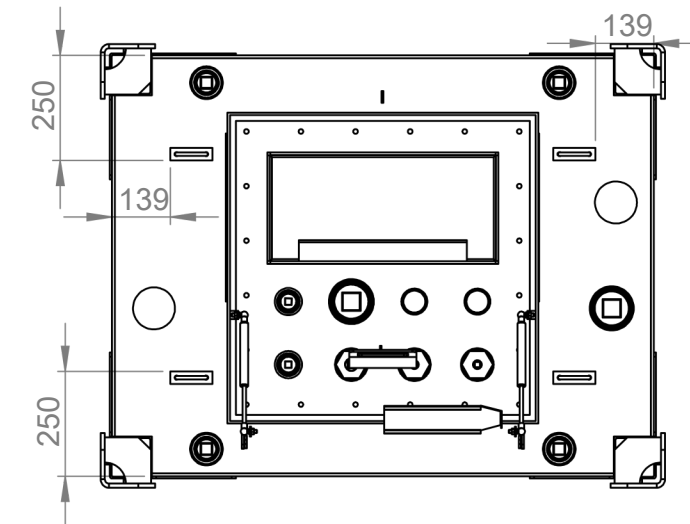
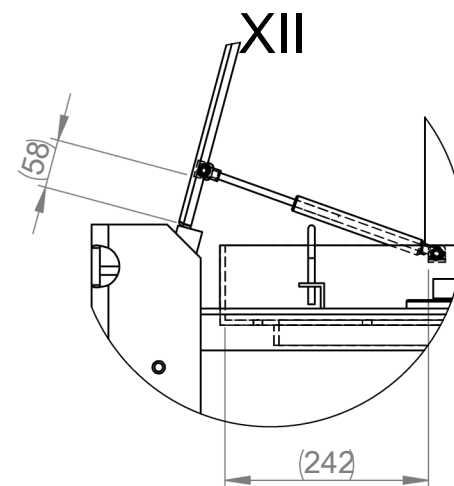
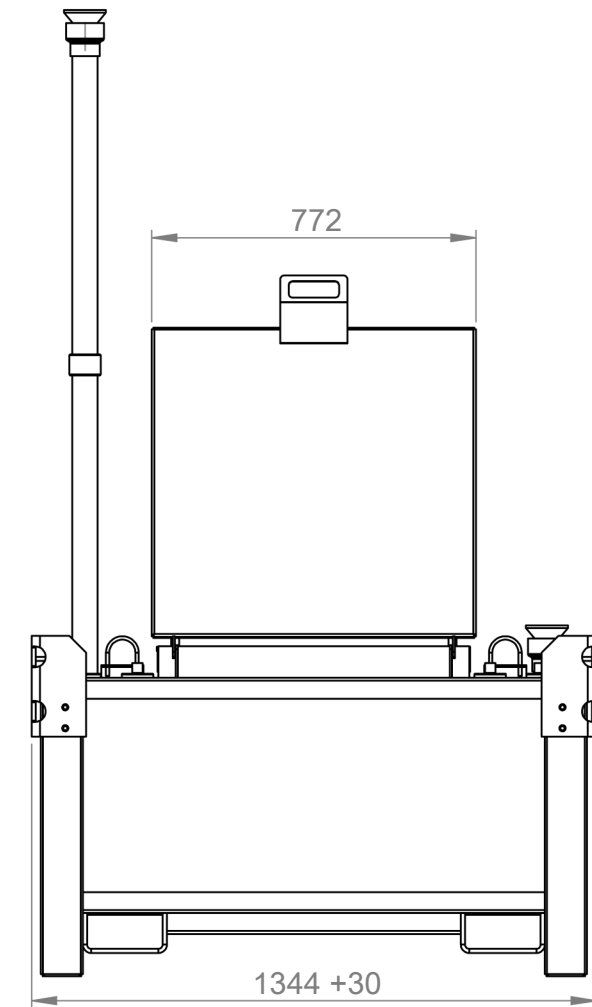
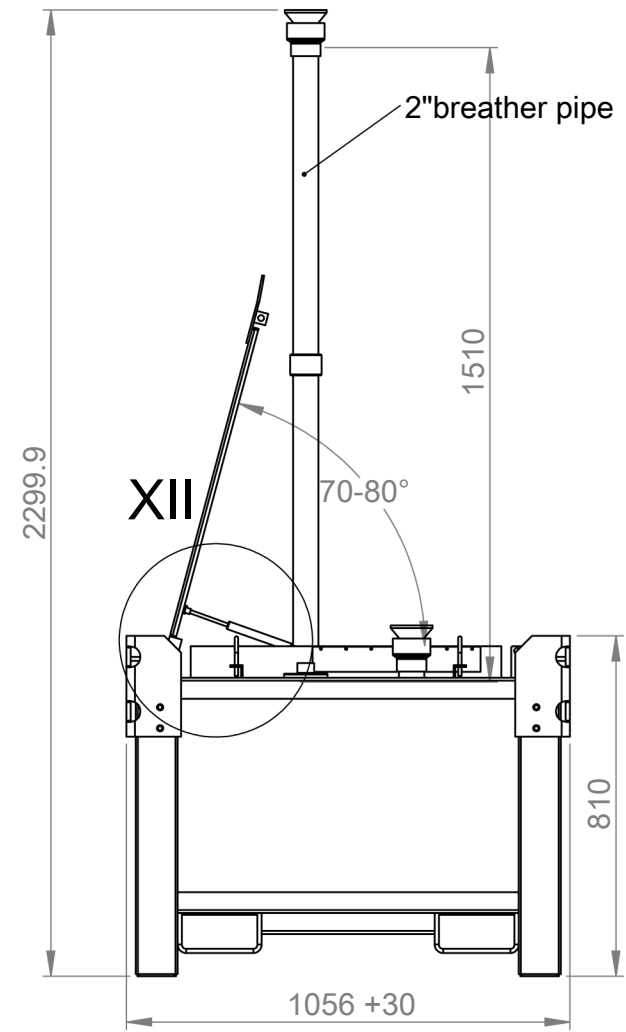
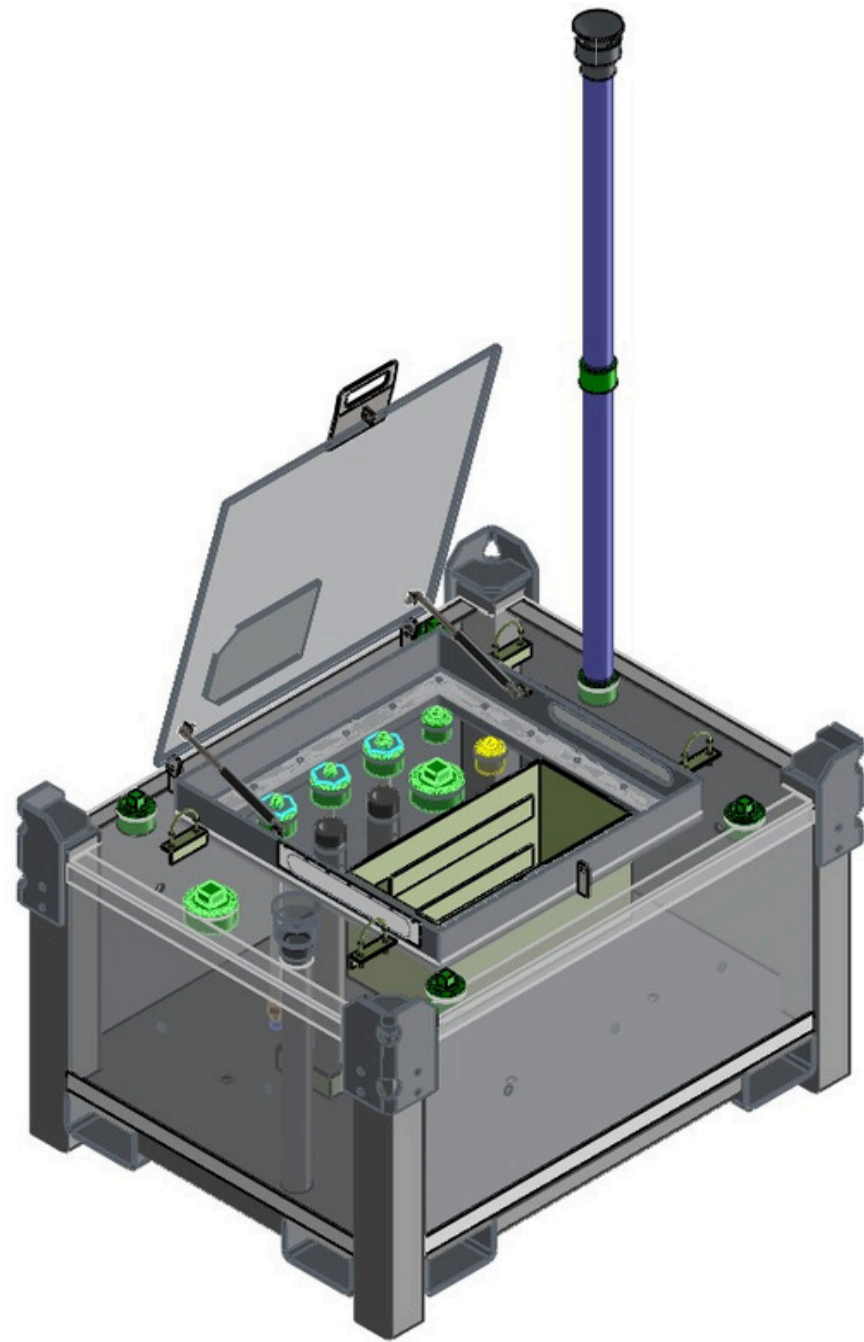
THIRD ANGLE PROJECTION			DWG NO. / PART NO.	JOB NO.
			CLIENT: 660L BOX Self Bunded Tank	
		TITLE:		SHEET SIZE A3
		SCALE: N.T.S.		REVISION 01
		SHEET 1 OF 4		

NAME	DATE	TOLERANCE U.N.O.MATERIAL:	WEIGHT: 488.19 Kg
DRAWN	2022/8/12	±1.0	
CHK'D		0.0 = -0.4	
APPVD		0.00 = -0.1	

DO NOT SCALE FROM DRAWING. IF IN DOUBT: ASK

UNLESS OTHERWISE SPECIFIED, ALL DIMENSIONS ARE IN MILLIMETRES

BEWARE OF 100mm MEASURING ERROR



THIRD ANGLE PROJECTION		
NAME	DATE	
DRAWN	2022/8/12	
CHK'D		
APPVD		TOLERANCE U.N.O.MATERIAL: Ø -1.0 0.0 = -0.4 0.00 = -0.1

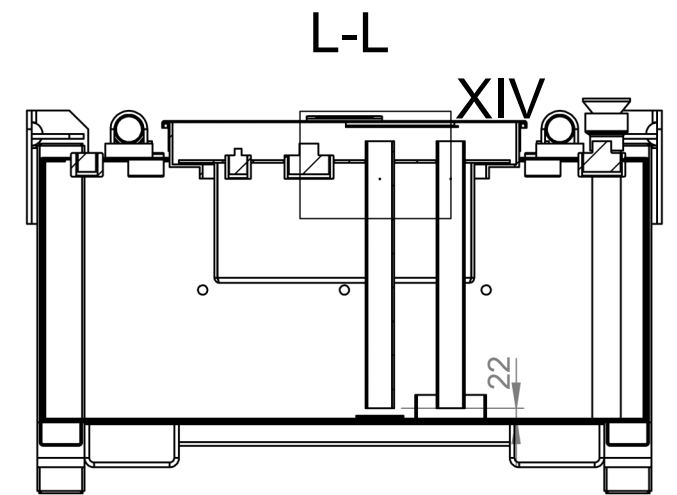
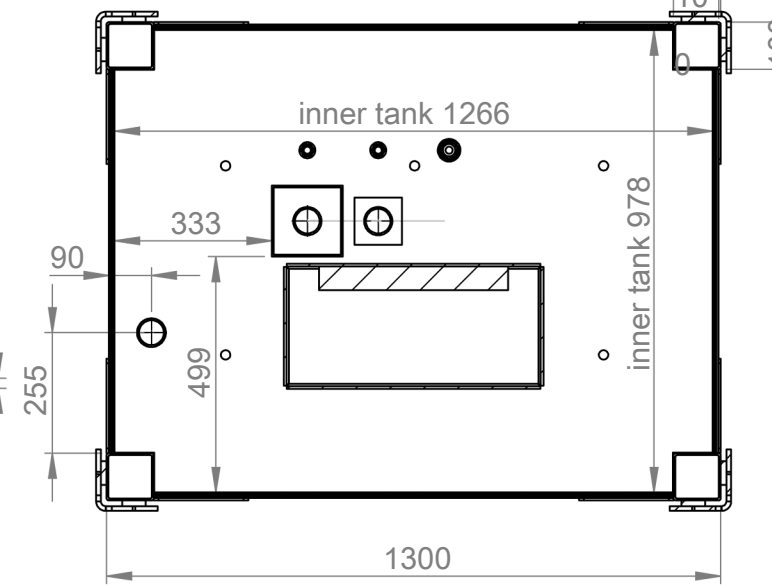
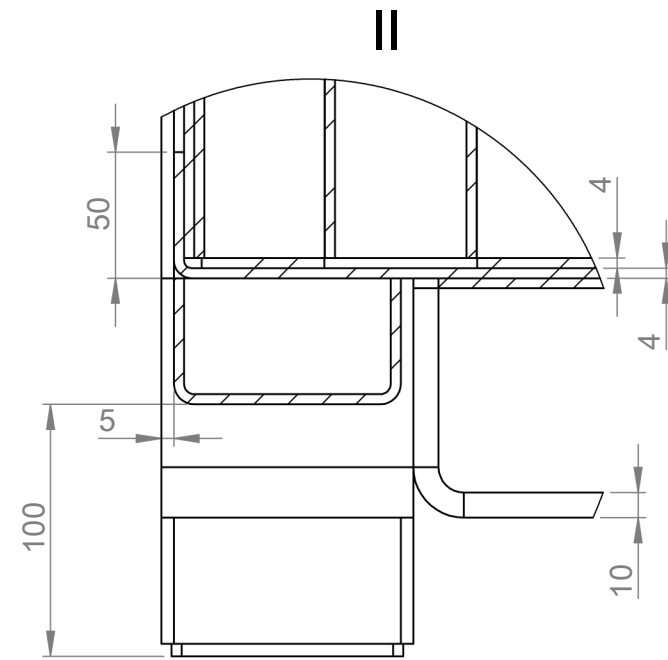
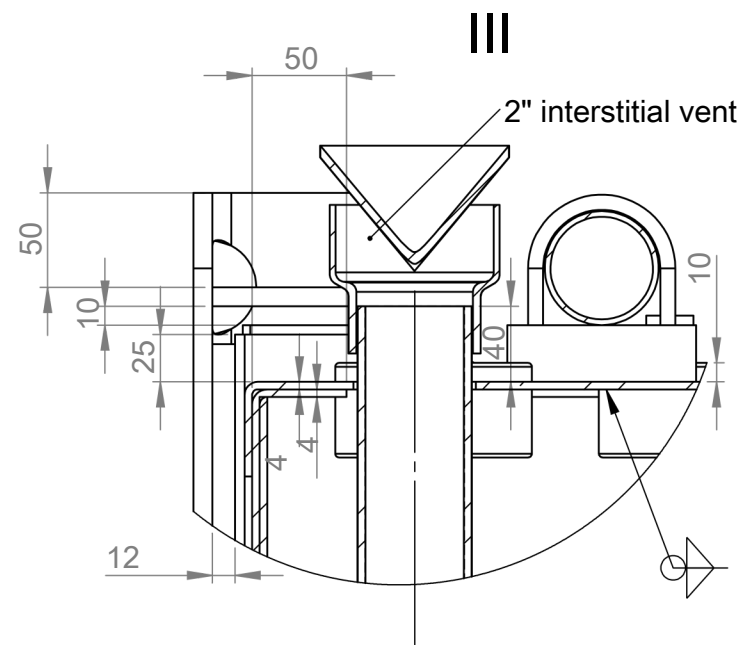
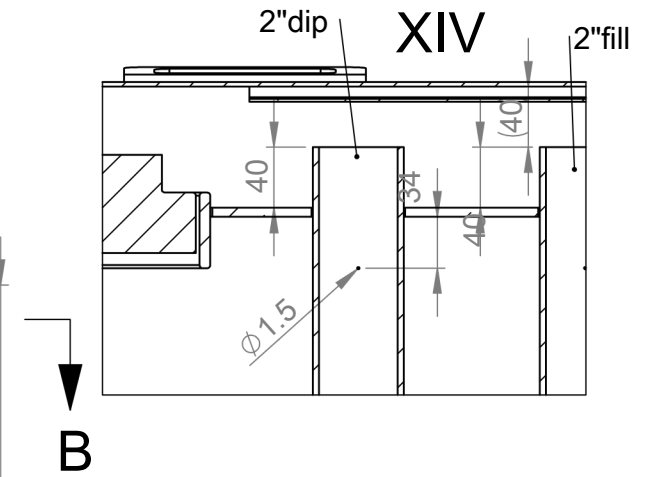
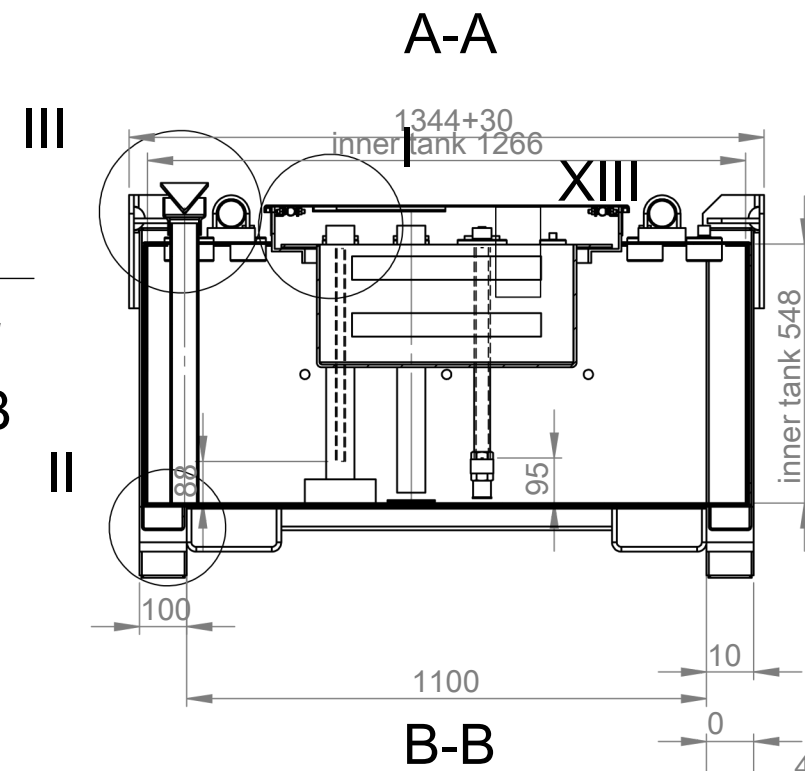
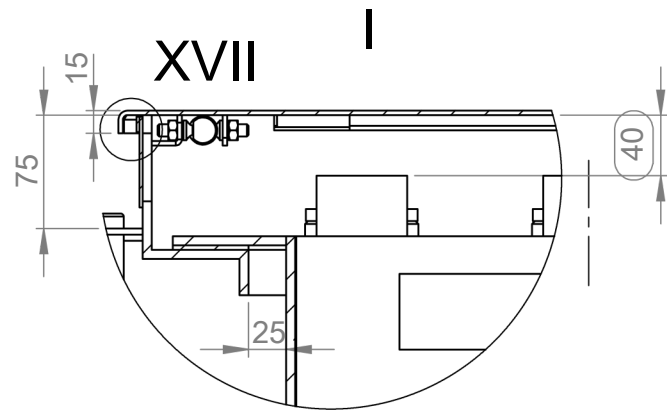
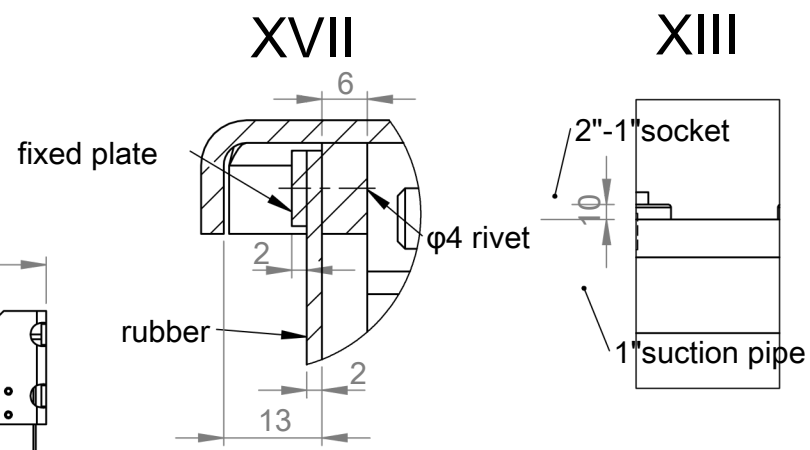
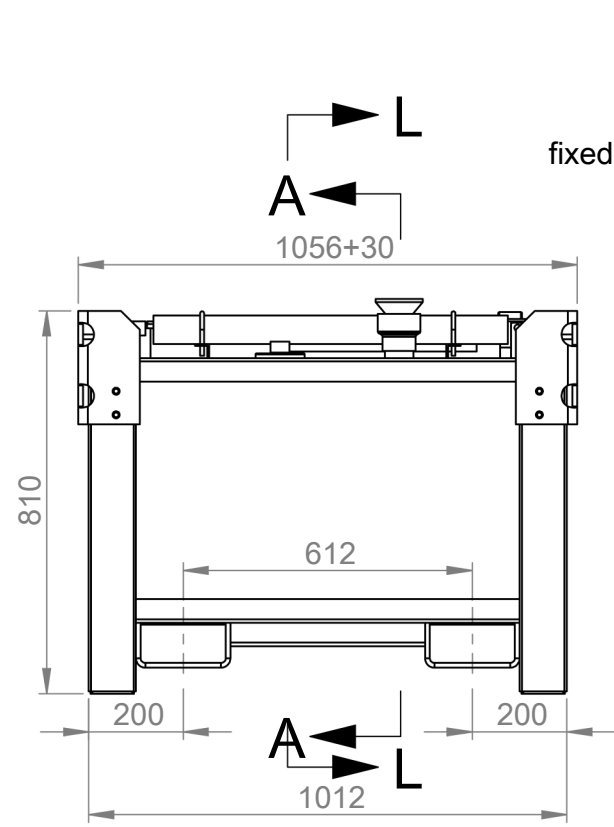
WEIGHT: 488.19 Kg

DWG NO. / PART NO.		JOB NO.	
CLIENT:			
660L BOX Self Bunded Tank			
TITLE:		SHEET SIZE	
SCALE: N.T.S.		A3	
SHEET 2 OF 4		REVISION	
		01	

DO NOT SCALE FROM DRAWING. IF IN DOUBT: ASK

UNLESS OTHERWISE SPECIFIED, ALL DIMENSIONS ARE IN MILLIMETRES

BEWARE OF 100mm MEASURING ERROR



THIRD ANGLE PROJECTION		
NAME	DATE	
DRAWN	2022/8/12	
CHK'D		
APPVD		TOLERANCE U.N.O. MATERIAL: $\pm 1.0$ $0.0 = -0.4$ $0.00 = -0.1$ WEIGHT: 488.19 Kg

DWG NO. / PART NO.	JOB NO.
CLIENT:	
660L BOX Self Bunded Tank	
TITLE:	SHEET SIZE
	A3
	REVISION
	01
SCALE: N.T.S.	SHEET 3 OF 4



THIRD ANGLE PROJECTION		
NAME	DATE	
DRAWN	2022/8/12	
CHK'D		
APPVD		TOLERANCE U.N.O.MATERIAL: Ø -1.0 0.0 -0.4 0.00 -0.1
		WEIGHT: 1464.575 Kg

DWG NO. / PART NO.		JOB NO.
CLIENT:		
660L BOX Self Bunded Tank		
TITLE:		SHEET SIZE
		A3
		REVISION
SCALE: N.T.S.	SHEET 4 OF 4	