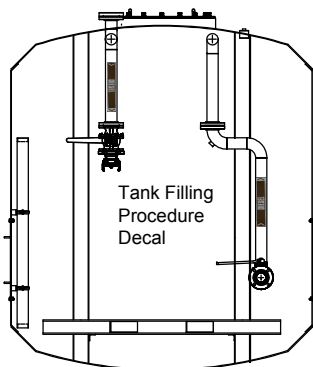
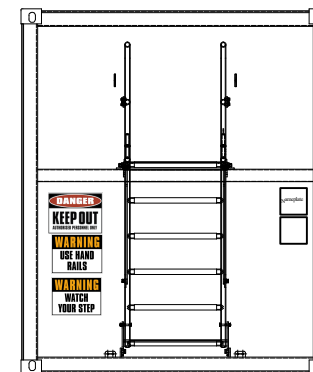
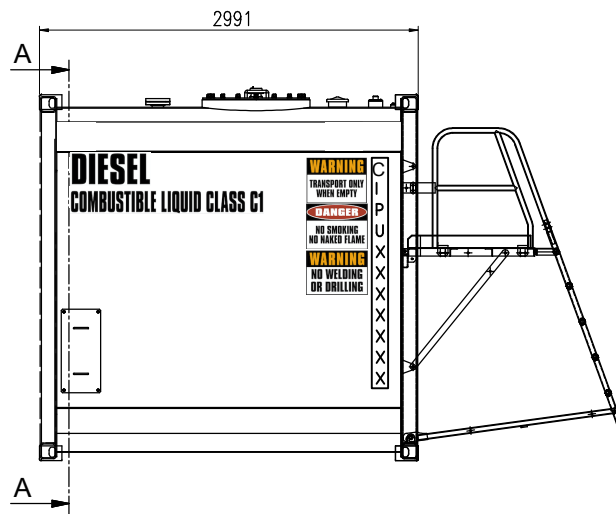
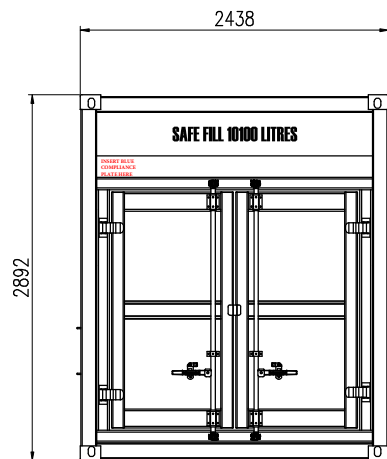
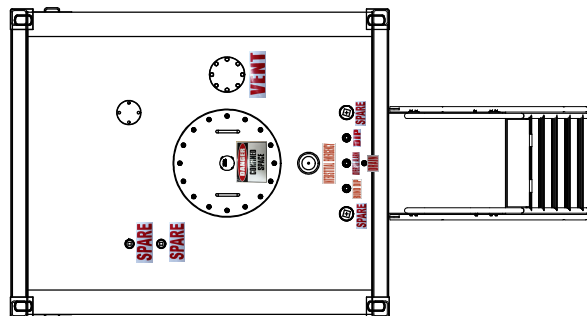


DO NOT SCALE




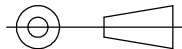
SECTION: A-A



PART	FINISH
MATERIAL	ALL WELDS TO BE 10 mm.(MIN) FILLET OR BUTT WELDS UNLESS STRATED OTHEWISE ALL WELDS TO BE :A.S. 1554

TOLERANCES: ALL DIMENSIONS IN MM

DRAWN	DATE 07/17/2018
DESIGN/CHECKED	DATE
APPROVED	DATE
CONFIGURED	DATE

DRAWING NO PT12PB-01-0001
SCALE:

TITLE Containerised Tank Decal Layout
APPR MASS:
SHEET 2 OF 3
REV: 01