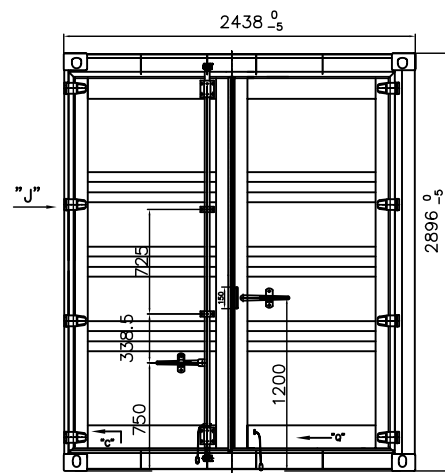
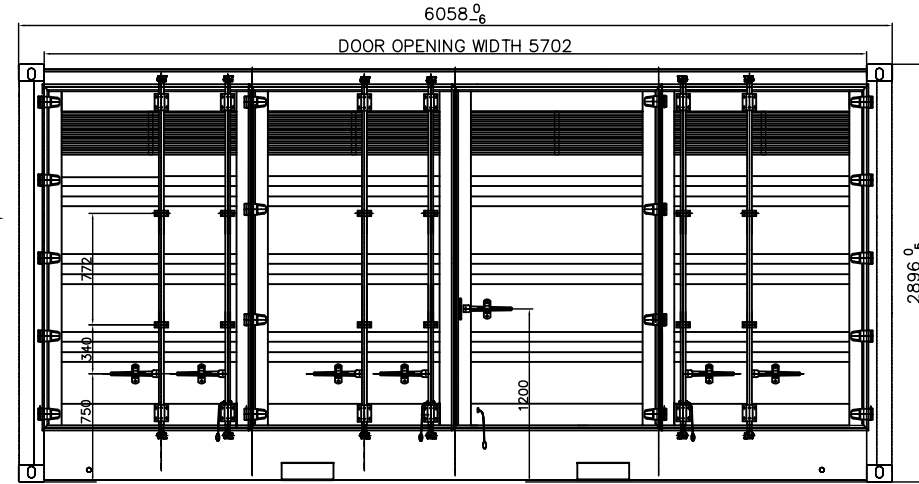


VIEW "J"

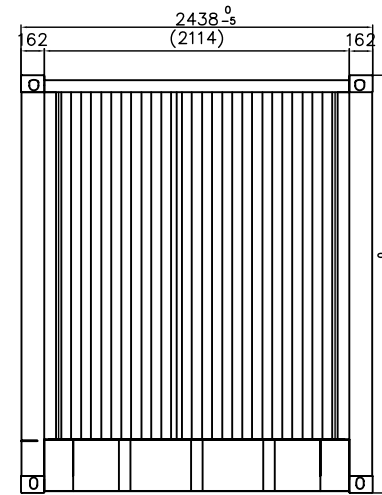
PRINCIPAL PARTICULAR				
MAX. GROSS WEIGHT		KG		LBS
TARE WEIGHT(±2%)		KG		LBS
MAX. CARGO WEIGHT		KG		LBS
CUBIC CAPACITY	33.7	M ³	1190	FT ³
STACKING CAPACITY/POST		KG		LBS
RACKING TEST LOAD		KG		LBS
FLOOR TEST LOAD		KG		LBS
EXTERNAL	HEIGHT	2896 ⁰ ₋₅ MM	9'-6"	⁰ _{-3/16} "
	WIDTH	2438 ⁰ ₋₅ MM	8'	⁰ _{-3/16} "
	LENGTH	6058 ⁰ ₋₆ MM	20'	⁰ _{-15/64} "
INTERNAL	HEIGHT	2492 ⁰ ₋₅ MM	8'-2 7/64"	⁰ _{-3/16} "
	WIDTH	2287 ⁰ ₋₅ MM	7'-6 3/8"	⁰ _{-3/16} "
	LENGTH	5907 ⁰ ₋₆ MM	19'-4 9/16"	⁰ _{-15/64} "
REAR DOOR OPENING	HEIGHT	2606 ⁰ ₋₅ MM	8'-6 19/32"	⁰ _{-3/16} "
	WIDTH	2226 ⁰ ₋₅ MM	7'-3 41/64"	⁰ _{-3/16} "
SIDE DOOR OPENING	HEIGHT	2367 ⁰ ₋₅ MM	7'-9 3/16"	⁰ _{-3/16} "
	WIDTH	5702 ⁰ ₋₅ MM	18'-8 31/64"	⁰ _{-3/16} "



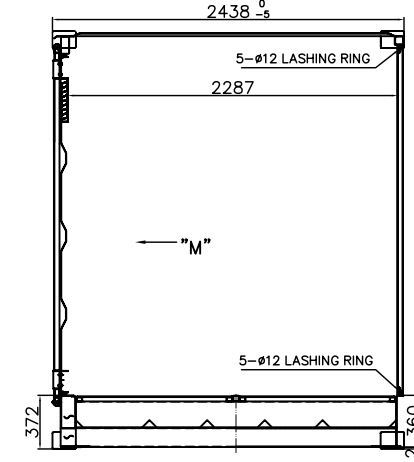
VIEW "I"



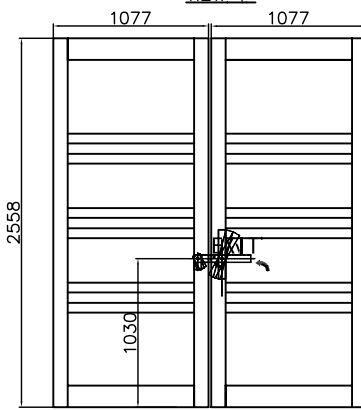
VIEW "H"



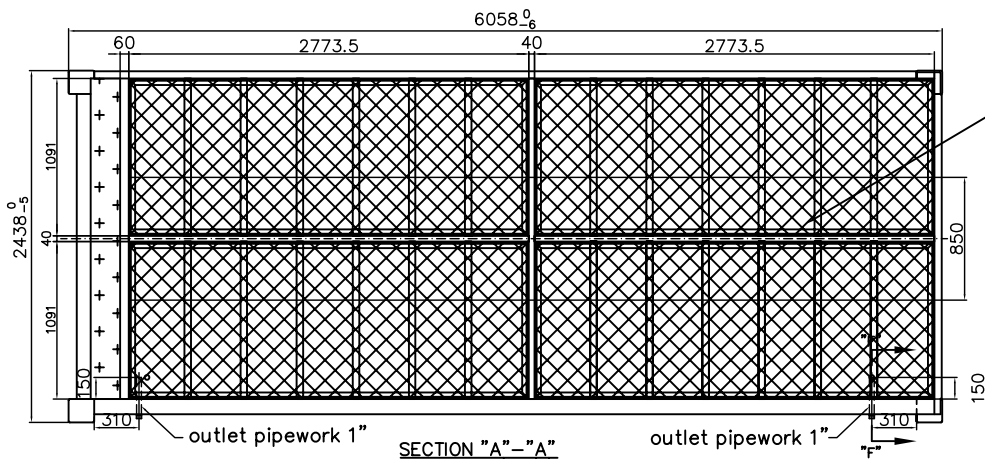
VIEW "H"



SECTION "B"- "B"

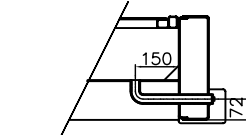


VIEW "C"

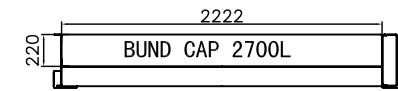


SECTION "A"- "A"

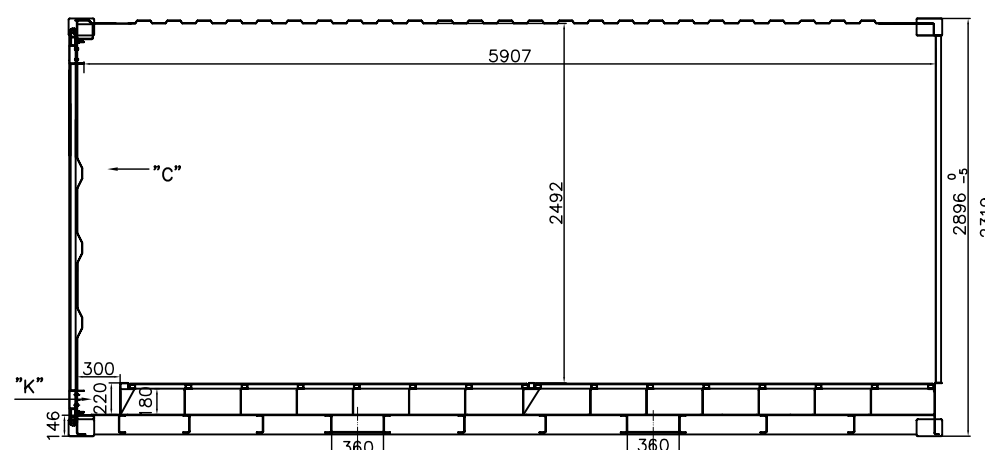
yellow painting



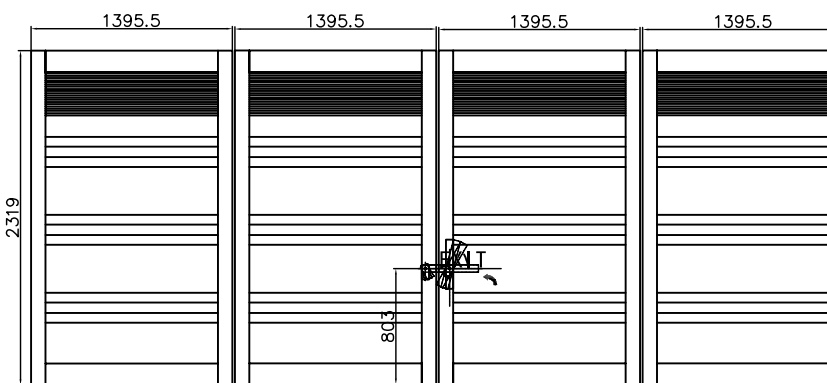
SECTION "F"- "F" 1:2



VIEW "K"



SECTION "E"- "E"

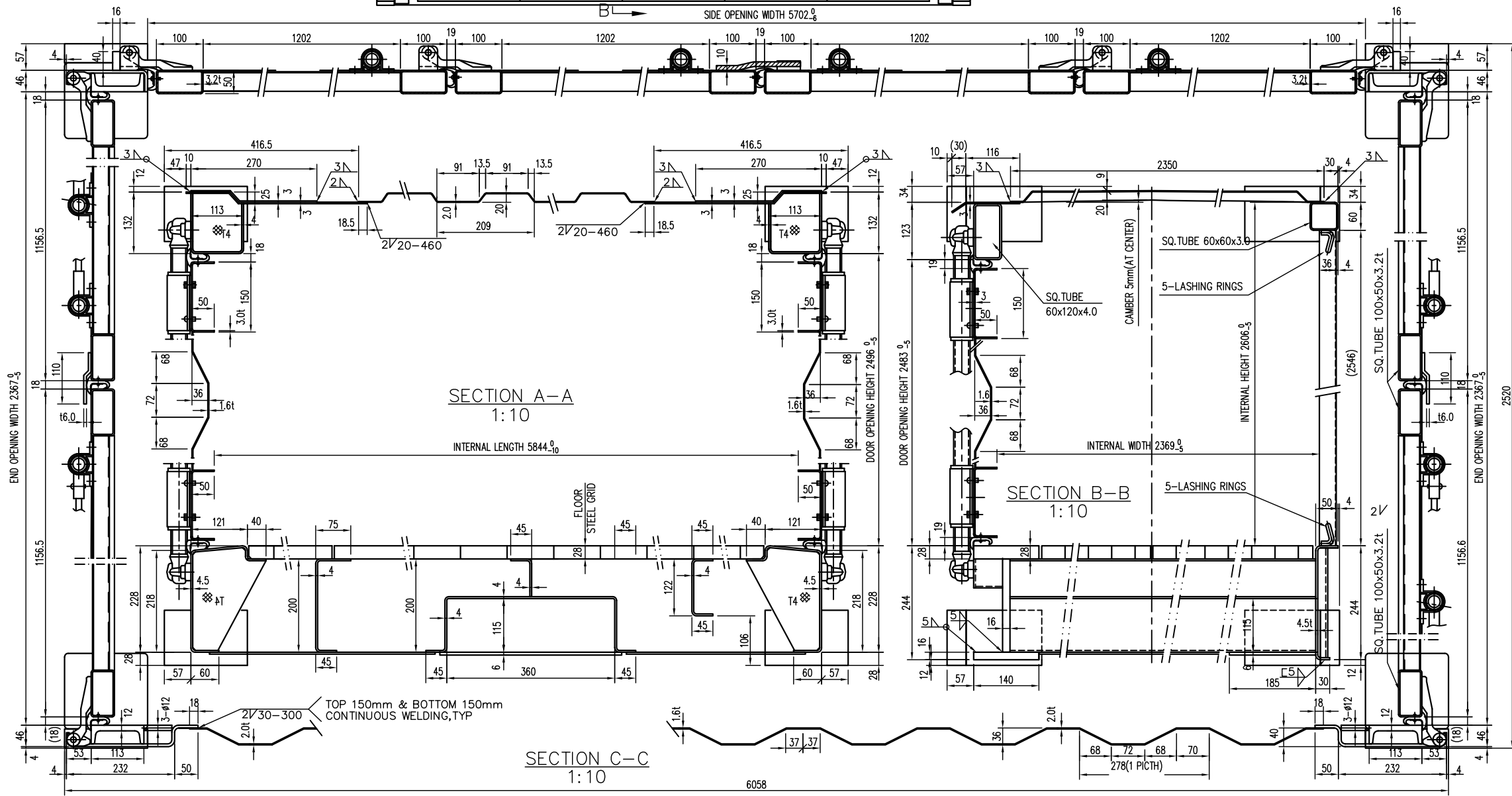
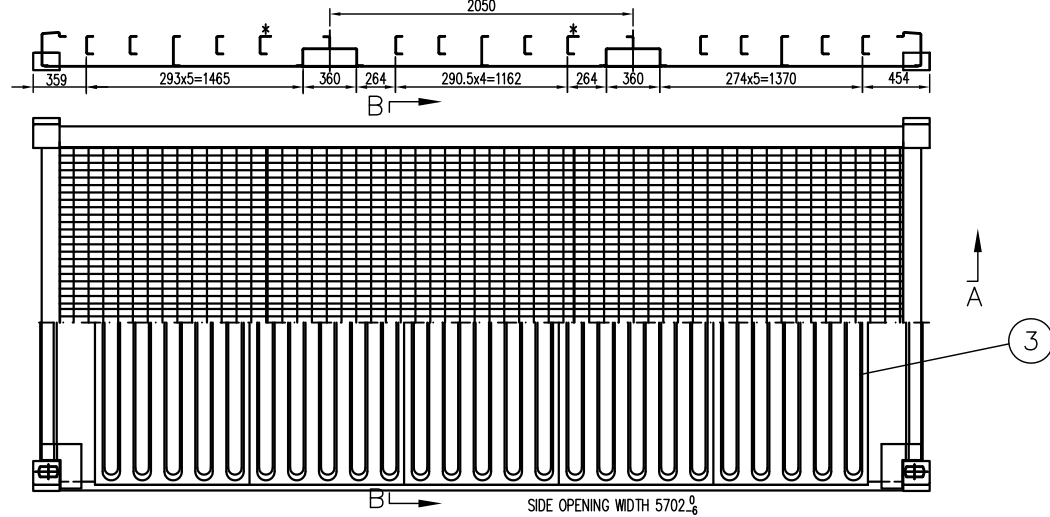
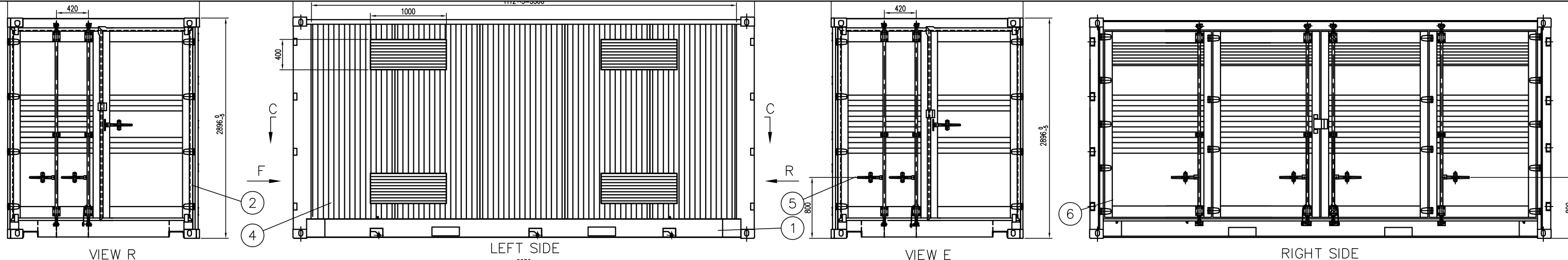


VIEW "M"

8	CONSOLIDATED PLATED	JS-G20HSO-07-01	12-00	1
7	ARRANGEMENT OF MARKING	JS-G20HSO-07	12-00	1
6	FRONT ASSEMBLY	JS-G20HSO-06	1-00	1
5	SIDE ASSEMBLY II	JS-G20HSO-05	1-00	1
4	SIDE ASSEMBLY I	JS-G20HSO-04	1-00	1
3	ROOF ASSEMBLY	JS-G20HSO-03	1-00	1
-	REAR ASSEMBLY	JS-G20HSO-0_	12-00	1
1	BASE ASSEMBLY	JS-G20HSO-01	1-00	1
NO	DESCRIPTION	DWG NO.	ISSUE	QTY.

20ft DG Store Full Side Doors High Cube				
TITLE: DG-6M-FS				
OWNED BY:		SCALE:	SIZE:	
DESIGNED BY:		WEIGHT:	KG.	QTY.:
CHECKED BY:		DWG No.: JS-G20HSO-00		
APPROVED BY:		DWG No.: JS-G20HSO-00		
SHEET	1	OF	1	SHEETS
ISSUE:		1-00		





PRINCIPAL PARTICULAR				
MAX GROSS WEIGHT	24,000	KG	52,910	LBS
CUBIC CAPACITY	36	M ³	1271	FT ³
EXTERNAL	HEIGHT	2896 ⁰ ₋₅	MM	9'-6" ⁰ _{-3/16}
	WIDTH	2520 ⁰ ₋₅	MM	8'-3" ⁰ _{-3/16}
	LENGTH	6058 ⁰ ₋₁₀	MM	20' ⁰ _{-3/8}
INTERNAL	HEIGHT	2606 ⁰ ₋₅	MM	8'-6 9/16" ⁰ _{-3/16}
	WIDTH	2369 ⁰ ₋₅	MM	7'-9" ⁰ _{-3/16}
	LENGTH	5844 ⁰ ₋₁₀	MM	19'-2" ⁰ _{-3/8}
SIDE DOOR OPENING	HEIGHT	2483 ⁰ ₋₅	MM	8'-1 3/4" ⁰ _{-3/16}
	WIDTH	5702 ⁰ ₋₁₀	MM	18'-8 1/2" ⁰ _{-3/8}
END DOOR OPENING	HEIGHT	2496 ⁰ ₋₅	MM	8'-2 1/4" ⁰ _{-3/16}
	WIDTH	2367 ⁰ ₋₁₀	MM	7'-9" ⁰ _{-3/8}

ITEM	DESCRIPTION	DWG NO.	MATERIAL	QTY.	REMARK
6	RIGHT SIDE ASSEMBLY			1	
5	FRONT ASSEMBLY			1	
4	LEFT SIDE ASSEMBLY			1	
3	ROOF ASSEMBLY			1	
2	REAR ASSEMBLY			1	
1	BASE ASSEMBLY			1	

OWNED BY:	
DESIGNED BY:	
CHECKED BY:	
APPROVED BY:	
DATE:	2012/10

TITLE:	20'H OPEN SIDE DG GENERAL ASSEMBLY
DWG No.:	