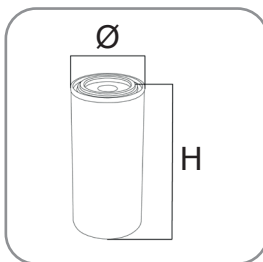




# FILTRI - FILTERS



portata - flowrate	<b>60l/min</b>	<b>90l/min</b>	<b>100l/min</b>	<b>100l/min</b>
tipo - type	carta - paper	carta - paper	carta - paper	carta - paper
fluidi - fluids	diesel, olio - diesel, oil			



Dimensioni - Dimensions (mm)	H	Ø mm
60l/min	213	96
90l/min	213	96
100l/min - 30µm	263	128
100l/min - 10µm	148	96



**MANOMETRO - GAUGE**  
opzionale - optional  
ref. FT003



## Cartuccia - Cartridge

Ref.	l/min			µm
FT600A	60	•	•	30
FT600AS	60	•	•	10
FT900A	90	•	•	30
FT100A	100	•	•	30
FT1000	100	-	•	10



## Testata - Head

Ref.	l/min			IN OUT
FT007A	60-90	•	•	1"-1"
FT002	100	•	•	1"-1"
FT005	100	-	•	1"-1"

## Kit Filtro - Filter Kit



Ref.	Model					LxWxH(mm)	Kg
FT60FA	KIT 60L	•	•	FT007A	-	220X150X220	1.3
FT90FA	KIT 90L	•	•	FT007A	-	220X150X220	1.4
FT10TA	KIT 100L	•	•	FT002	-	290X190X250	2.5
FT10T0	KIT 100L 10µm	-	•	FT005	-	220X150X220	2.6
FT60MA	KIT 60L	•	•	FT007A	•	220X150X220	1.3
FT90MA	KIT 90L	•	•	FT007A	•	220X150X220	1.4
FT10XA	KIT 100L	•	•	FT002	•	290X190X250	2.5
FT10X0	KIT 100L 10µm	-	•	FT005	•	220X150X220	2.6



# FILTER KIT WATER REMOVAL



OILS



DIESEL



FT007A



FT002



60L



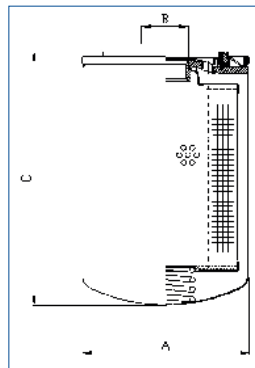
90L



100L

FEATURES	60L	90L	100L
Filter type	paper + water removal	paper + water removal	paper + water removal
Mesh [ $\mu$ m]	30	30	30
Max flow rate [l/min / GPM]	60 / 15,85	90 / 23,78	100 / 26,42
Max pressure [bar / psi]	12 / 174	12 / 174	14 / 203
Collapse pressure [bar/psi]	5/72	5/72	5/72
Max/Min Temperature [ $^{\circ}$ C]	-20/+110	-20/+110	-20/+110
Gasket material	NBR	NBR	NBR
Allowed fluids	diesel, oil	diesel, oil	diesel, oil
Head	FT007A	FT007A	FT002
Inlet/Outlet [BSP/G]	1" F flanged / 1" F flanged	1" F flanged / 1" F flanged	1" F / 1" F

DIMENSIONS	60L	90L	100L
A [mm]	96	96	128
B [mm]	1" UNF	1" UNF	1" - 1/2" UNF
C [mm]	213	213	263



### GAUGE FT003 (optional)

- Saturation level indicator
- **BAR** (black line)
- **PSI** (red line)





# FILTER KIT DIRT REMOVAL



OILS



DIESEL



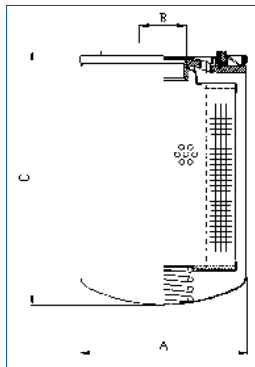
FT007A



60L



100L



## FEATURES

Filter type

Mesh [ $\mu\text{m}$ ]

Max flow rate [l/min / GPM]

Max pressure [bar / psi]

Collapse pressure [bar/psi]

Max/Min Temperature [ $^{\circ}\text{C}$ ]

Gasket material

Allowed fluids

Head

Inlet/Outlet [BSP/G]

## 60L dirt removal

paper + water removal

10

60/15,85

12/174

5/72

-20/+110

NBR

diesel, oil

FT007A

1" F flanged / 1" F flanged

## 100L dirt removal

paper

10

100 / 26,42

12 / 174

5/72

-20/+110

NBR

diesel, oil

FT007A

1" F flanged / 1" F flanged

## DIMENSIONI

A [mm]

B [mm]

C [mm]

## 60L dirt removal

96

1" UNF

213

## 100L dirt removal

96

3/4" BSP-G

148

## GAUGE FT003 (optional)

- Saturation level indicator
- **BAR** (black line)
- **PSI** (red line)





documento - document

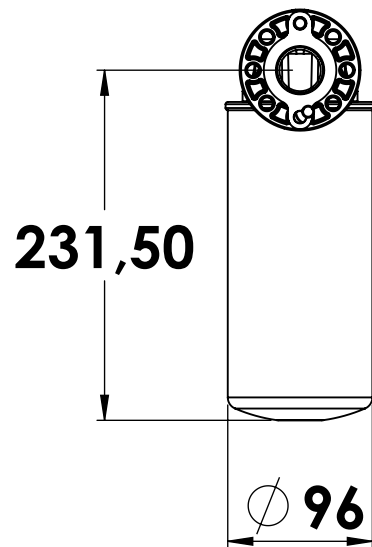
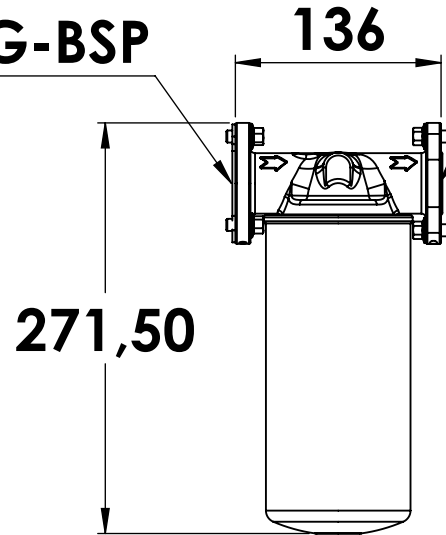
prodotto - product

MADE IN ITALY 

ingombri - overall dimensions

# KIT FILTRO - FILTER KIT 60-90L

**INLET 1" G-BSP**      **136**      **OUTLET 1" G-BSP**



tutte le dimensioni espresse in mm - all dimensions are in mm

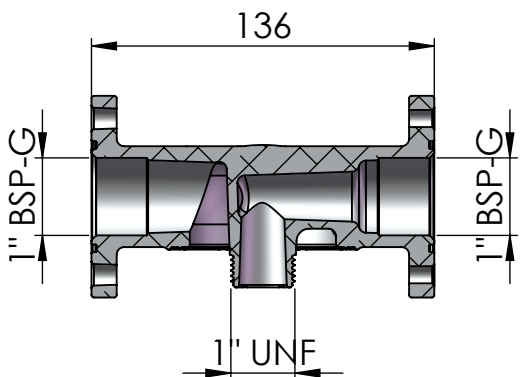


Adam Pumps S.p.A.  
 Soc. con Socio Unico  
 via della resistenza 46/48 - 41011 Campogalliano (MO) ITALIA  
 Tel +39 059 528128 - Fax +39 059 528437 | www.adampumps.com - info@adampumps.com

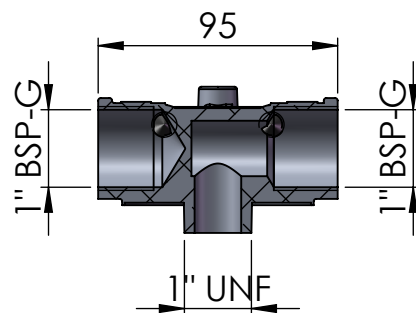


# Heads / cartridges correspondences

Ref. FT007A

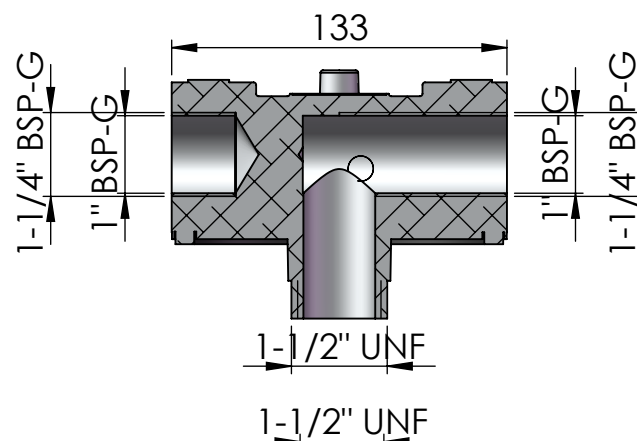


Ref. FT001



Ref. FT002

IN-OUT 1" with reductions



Ref. FT005

