

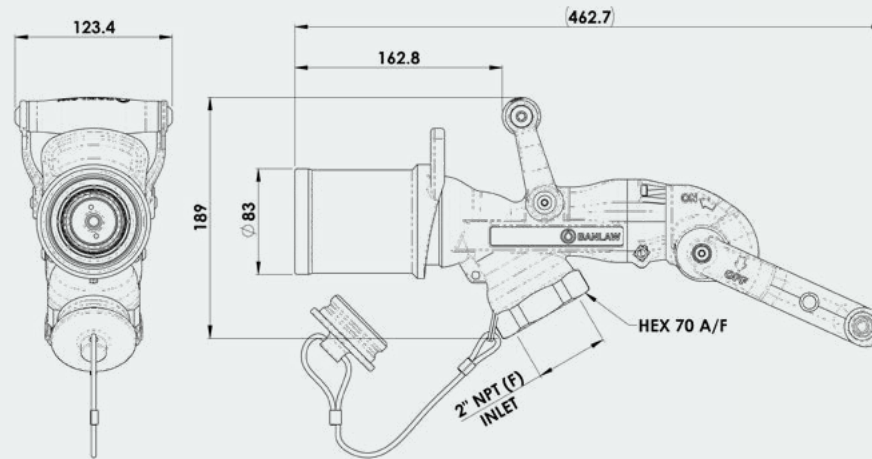
1000 Series Nozzle

Our 1000 Series refuelling nozzles allow your equipment filling speeds to be maximised.

Considered to be the pinnacle in Dry Break, automatic shut-off hardware, these durable nozzles allow fuelling process times to be reduced, enabling significant productivity gains.

Flow rates up to 1,000 litres per minute.

Compatible only with Banlaw 1000lpm 43 series receivers, e.g. BRM43K and BFCV43 Series products.



Part Number	Product Description	Tech Specs	Shipping - Dimensions & Weight	Items Included
BAMS6	1000lpm Series Diesel Refuelling Nozzle - Bulk Fill	* 2" NPTF	27x16x12cm 2.55kg	Includes Plug
BN1000ML	1000lpm Series Diesel Refuelling Nozzle - Medium/Light Spring Setting	2" NPTF, MED LT	48x20x12cm 4.22kg	Includes Plug
BN1000M	1000lpm Series Diesel Refuelling Nozzle - Medium Spring Setting	2" NPTF, MED	48x20x12cm 4.22kg	Includes Plug
BN1000MH	1000lpm Series Diesel Refuelling Nozzle - Medium/Heavy Spring Setting	2" NPTF, MED HVY	48x20x12cm 4.22kg	Includes Plug
BN1000H	1000lpm Series Diesel Refuelling Nozzle - Heavy Spring Setting	2" NPTF, HVY	48x20x12cm 4.22kg	Includes Plug
BN1000XH	1000lpm Series Diesel Refuelling Nozzle - Extra Heavy Spring Setting	2" NPTF, XHVV	48x20x12cm 4.22kg	Includes Plug
BN1000ML-CT	1000lpm Series Diesel Refuelling Nozzle - Medium/Light Spring Setting - Cold Temp	2" NPTF, MED LT	48x20x12cm 4.22kg	Includes Plug ❄️
BN1000M-CT	1000lpm Series Diesel Refuelling Nozzle - Medium Spring Setting Cold Temp	2" NPTF, MED	48x20x12cm 4.22kg	Includes Plug ❄️
BN1000MH-CT	1000lpm Series Diesel Refuelling Nozzle - Medium/Heavy Spring Setting - Cold Temp	2" NPTF, MED HVY	48x20x12cm 4.22kg	Includes Plug ❄️
BN1000H-CT	1000lpm Series Diesel Refuelling Nozzle - Heavy Spring Setting - Cold Temp	2" NPTF, HVY	48x20x12cm 4.22kg	Includes Plug ❄️
BN1000XH-CT	1000lpm Series Diesel Refuelling Nozzle - Extra Heavy Spring Setting - Cold Temp	2" NPTF, XHVV	48x20x12cm 4.22kg	Includes Plug ❄️

* No automatic shut off