

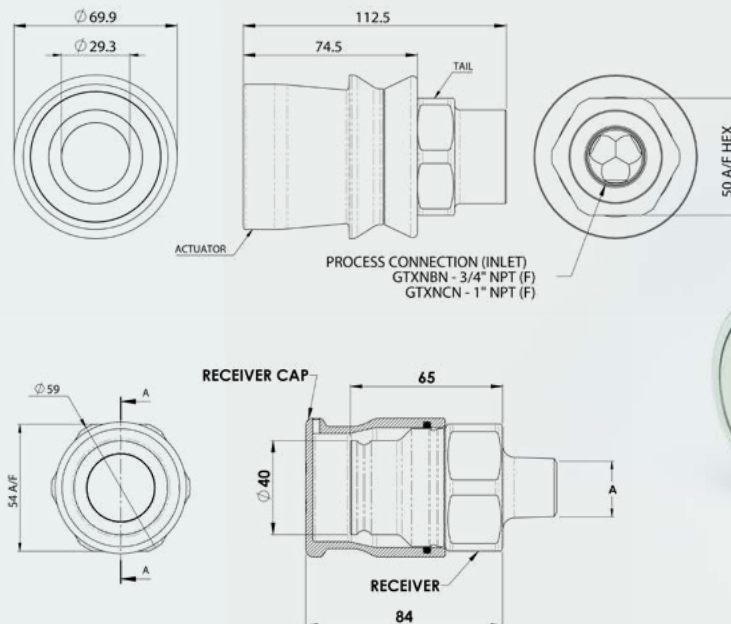
# Grease Transfer

The patented# Banlaw Grease Transfer Coupling is safe, fast, and easy-to-use.

Flush-faced design and a positive-connect feel mitigate the risk of common grease-related injuries.

The GTX also offers superior grease transfer rates when compared with competitor products.

Unlike typical grease couplings, the GTX won't discharge grease onto the ground. Flow will only occur when the nozzle and receiver are connected.



Note: The Banlaw Flush Face Grease Couplings may connect under residual nozzle side line pressure, or disconnect under residual line pressure.

#Refer to website: 'Patents and Patents Pending' – see [www.banlaw.com](http://www.banlaw.com)

Part Number	Product Description	Tech Specs - A	Shipping - Dimensions & Weight	Items Included
GTXRA	Flush Face Grease Transfer Receiver, 1/2" NPT	1/2" NPTM	6x6x10cm   0.58kg	Includes Cap
GTXRB	Flush Face Grease Transfer Receiver, 3/4" NPT	3/4" NPTM	6x6x10cm   0.58kg	Includes Cap
GTXRBO	Flush Face Grease Transfer Receiver, 3/4" UNO	3/4" UNOM	6x6x10cm   0.58kg	Includes Cap
GTXRC	Flush Face Grease Transfer Receiver, 1" NPT	1" NPTM	6x6x10cm   0.58kg	Includes Cap
GTXNBN	Flush Face Grease Transfer Nozzle, 3/4" NPT	3/4" NPTF	7x7x13cm   1.1kg	
GTXNCN	Flush Face Grease Transfer Nozzle, 1" NPT	1" NPTF	7x7x13cm   1.1kg	
GTXRA-CT	Flush Face Grease Transfer Receiver, 1/2" NPT - Cold Temp	1/2" NPTM	6x6x10cm   0.58kg	Includes Cap ❄
GTXRB-CT	Flush Face Grease Transfer Receiver, 3/4" NPT - Cold Temp	3/4" NPTM	6x6x10cm   0.58kg	Includes Cap ❄
GTXRBO-CT	Flush Face Grease Transfer Receiver, 3/4" UNO - Cold Temp	3/4" UNOM	6x6x10cm   0.58kg	Includes Cap ❄
GTXRC-CT	Flush Face Grease Transfer Receiver, 1" NPT - Cold Temp	1" NPTM	10x6x6cm   0.58kg	Includes Cap ❄
GTXNBN-CT	Flush Face Grease Transfer Nozzle, 3/4" NPT - Cold Temp	3/4" NPTF	7x7x13cm   1.1kg	❄
GTXNCN-CT	Flush Face Grease Transfer Nozzle, 1" NPT - Cold Temp	1" NPTF	7x7x13cm   1.1kg	❄