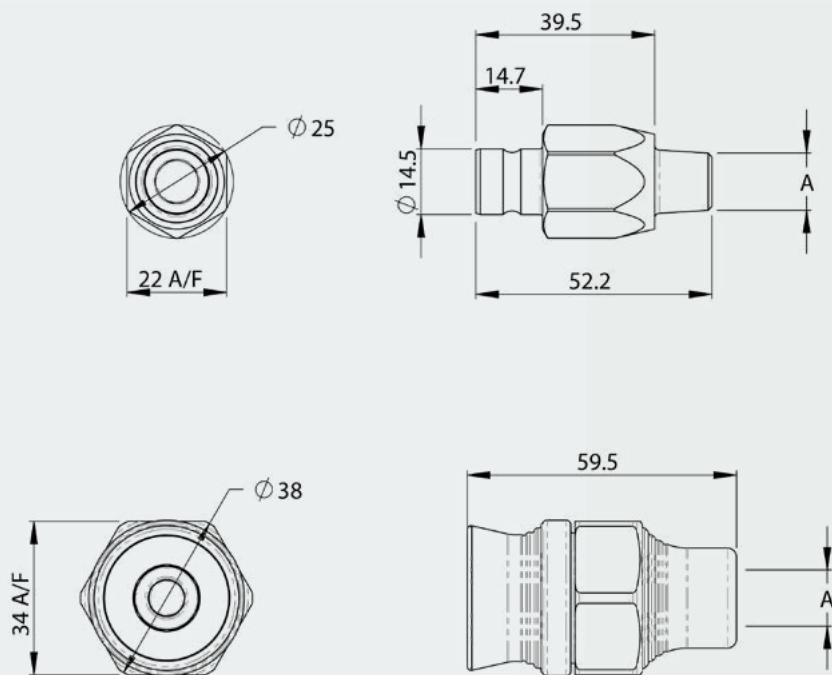


Size 0 - Silver

The smallest in our flush face range, the Size 0 is perfect for general fluid transfer; but also dosing, withdrawing product samples for analysis, and as a pressure tap for pipeline analysis.

100% stainless steel construction ensures the receiver is not prone to corrosion, and will operate as designed even after significant periods without use.



BPLN0

BPLR0

Part Number	Product Description	Tech Specs - A	Shipping - Dimensions & Weight	Items Included
BPLR0	Flush Face BPL Receiver, 1/4" BSPT, SILVER, Size 0	1/4" BSPTM	2x2x6cm 0.084kg	Cap sold separately
BPLN0	Flush Face BPL Nozzle, 1/4" BSP, SILVER - Size 0	1/4" BSPF	6x4x4cm 0.246kg	Cap sold separately