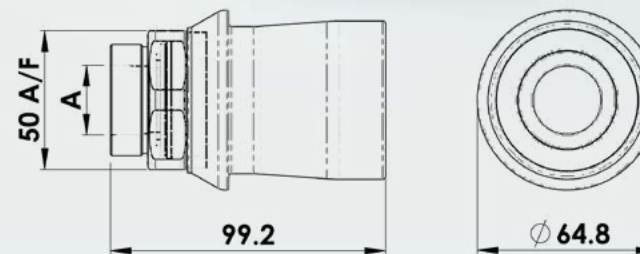
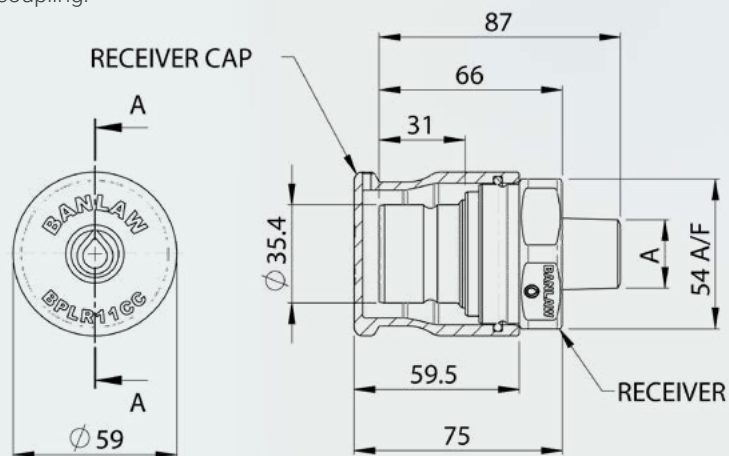


## Size 11 - Silver

The Size 11 nozzle and receiver were specifically designed to connect whilst subjected to residual line pressure.

They can be used with oils and other fluids used in mining, rail, ports and other heavy industries.

This coupling is suitable for underground mines requiring a very robust, all-steel flush face coupling.



Part Number	Product Description	Tech Specs - A	Shipping - Dimensions & Weight	Items Included
BPLR11BE	Flush Face BPL Receiver, 3/4" NPT, SILVER, Size 11	3/4" NPTM	11x7x7cm   0.82kg	Includes Cap
BPLR11CE	Flush Face BPL Receiver, 1" NPT, SILVER, Size 11	1" NPTM	11x7x7cm   0.82kg	Includes Cap
BPLN11BP	Flush Face BPL Nozzle, 3/4" NPT, SILVER, Size 11	3/4" NPTF	10x6x6cm   1.2kg	Cap sold separately
BPLN11CP	Flush Face BPL Nozzle, 1" NPT, SILVER, Size 11	1" NPTF	11x7x7cm   0.84kg	Cap sold separately
BPLR11BE-CT	Flush Face BPL Receiver, 3/4" NPT, SILVER, Size 11 - Cold Temp	3/4" NPTM	11x7x7cm   0.82kg	Includes Cap ❄️
BPLR11CE-CT	Flush Face BPL Receiver, 1" NPT, SILVER, Size 11 - Cold Temp	1" NPTM	11x7x7cm   0.82kg	Includes Cap ❄️
BPLN11BP-CT	Flush Face BPL Nozzle, 3/4" NPT, SILVER, Size 11 - Cold Temp	3/4" NPTF	10x6x6cm   1.2kg	Cap sold separately ❄️
BPLN11CP-CT	Flush Face BPL Nozzle, 1" NPT, SILVER, Size 11 - Cold Temp	1" NPTF	11x7x7cm   0.84kg	Cap sold separately ❄️