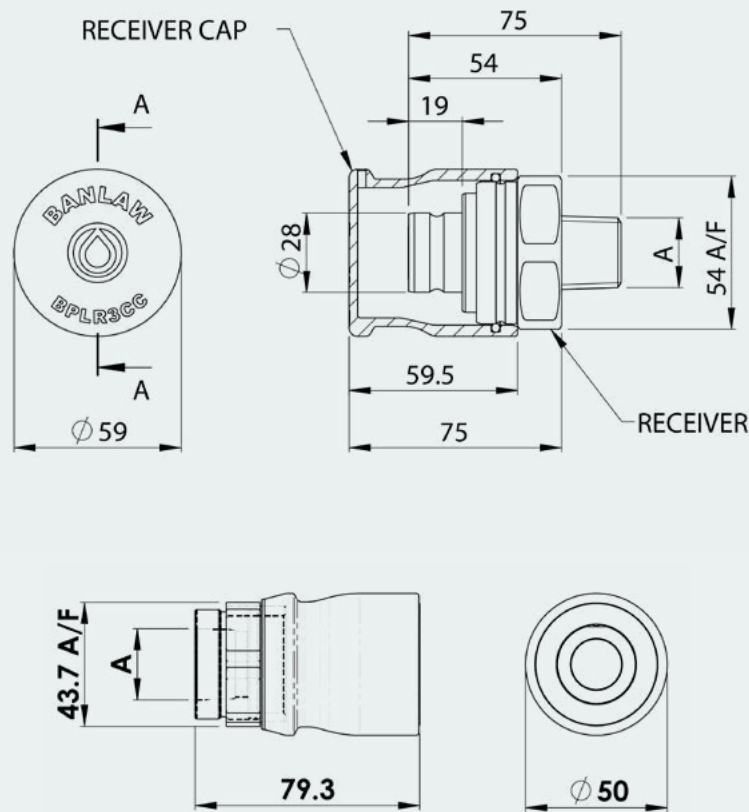


Size 3 - Red



BPLN3BN

BPLR3BE

Part Number	Product Description	Tech Specs - A	Shipping - Dimensions & Weight	Items Included
BPLR3BE	Flush Face BPL Receiver, 3/4" NPT, RED, Size 3	3/4" NPTM	11x6x6cm 0.44kg	Includes Cap
BPLR3CE	Flush Face BPL Receiver, 1" NPT, RED, Size 3	1" NPTM	11x6x6cm 0.44kg	Includes Cap
BPLN3BN	Flush Face BPL Nozzle, 3/4" NPT, RED, Size 3	3/4" NPTF	10x5x5cm 0.48kg	Cap sold separately
BPLN3CN	Flush Face BPL Nozzle, 1" NPT, RED, Size 3	1" NPTF	10x5x5cm 0.48kg	Cap sold separately
BPLR3BE-CT	Flush Face BPL Receiver, 3/4" NPT, RED, Size 3 - Cold Temp	3/4" NPTM	11x6x6cm 0.44kg	Includes Cap ❄️
BPLR3CE-CT	Flush Face BPL Receiver, 1" NPT, RED, Size 3 - Cold Temp	1" NPTM	11x6x6cm 0.44kg	Includes Cap ❄️
BPLN3BN-CT	Flush Face BPL Nozzle, 3/4" NPT, RED, Size 3 - Cold Temp	3/4" NPTF	10x5x5cm 0.48kg	Cap sold separately ❄️
BPLN3CN-CT	Flush Face BPL Nozzle, 1" NPT, RED, Size 3 - Cold Temp	1" NPTF	10x5x5cm 0.48kg	Cap sold separately ❄️