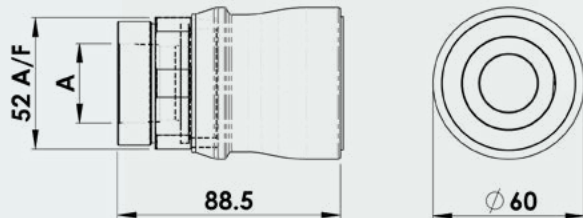
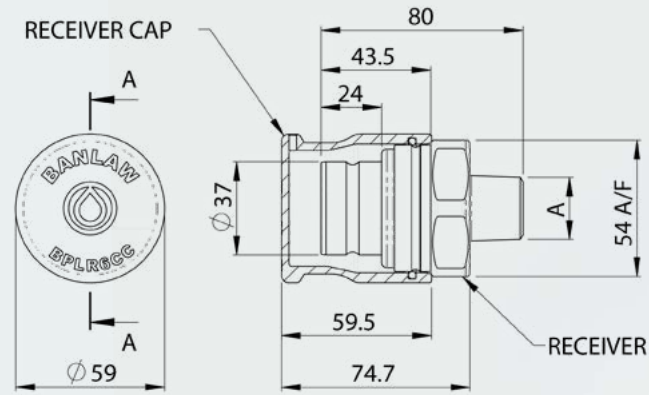


Size 6 - Blue



BPLR6CN

BPLN6CE

Part Number	Product Description	Tech Specs - A	Shipping - Dimensions & Weight	Items Included
BPLR6BE	Flush Face BPL Receiver, 3/4" NPT, BLUE, Size 6	3/4" NPTM	11x6x6cm 0.56kg	Includes Cap
BPLR6CE	Flush Face BPL Receiver, 1" NPT, BLUE, Size 6	1" NPTM	11x6x6cm 0.56kg	Includes Cap
BPLR6DE	Flush Face BPL Receiver, 1-1/4" NPT, BLUE, Size 6	1-1/4" NPTM	11x6x6cm 0.57kg	Includes Cap
BPLN6CN	Flush Face BPL Nozzle, 1" NPT, BLUE, Size 6	1" NPTF	12x6x6cm 0.87kg	Cap sold separately
BPLN6DN	Flush Face BPL Nozzle, 1-1/4" NPT, BLUE, Size 6	1-1/4" NPTF	12x6x6cm 0.87kg	Cap sold separately
BPLR6BE-CT	Flush Face BPL Receiver, 3/4" NPT, BLUE, Size 6 - Cold Temp	3/4" NPTM	11x6x6cm 0.56kg	Includes Cap ❄️
BPLR6CE-CT	Flush Face BPL Receiver, 1" NPT, BLUE, Size 6 - Cold Temp	1" NPTM	11x6x6cm 0.56kg	Includes Cap ❄️
BPLR6DE-CT	Flush Face BPL Receiver, 1-1/4" NPT, BLUE, Size 6 - Cold Temp	1-1/4" NPTM	11x6x6cm 0.57kg	Includes Cap ❄️
BPLN6CN-CT	Flush Face BPL Nozzle, 1" NPT, BLUE, Size 6 - Cold Temp	1" NPTF	12x6x6cm 0.87kg	Cap sold separately ❄️
BPLN6DN-CT	Flush Face BPL Nozzle, 1-1/4" NPT, BLUE, Size 6 - Cold Temp	1-1/4" NPTF	12x6x6cm 0.87kg	Cap sold separately ❄️