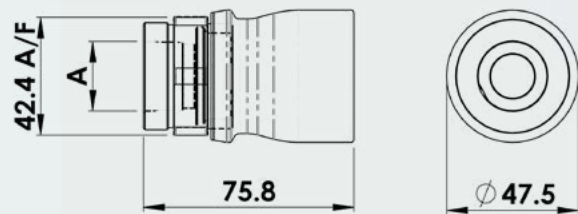
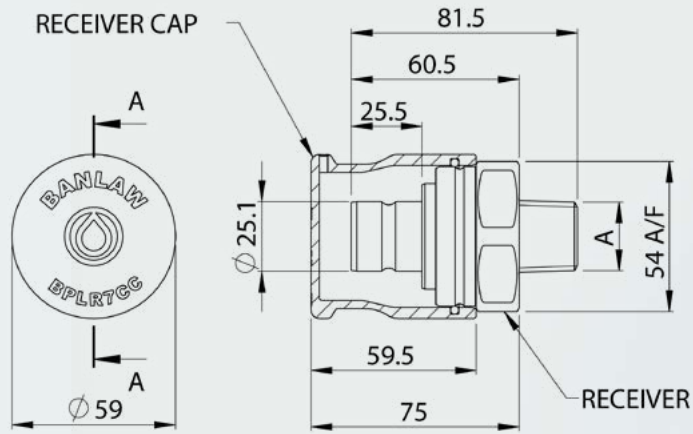


Fluid Transfer | Flush Face
Size 7 - Purple



BPLN7BN

BPLR7CE

Part Number	Product Description	Tech Specs - A	Shipping - Dimensions & Weight	Items Included
BPLR7BE	Flush Face BPL Receiver, 3/4" NPT, PURPLE, Size 7	3/4" NPTM	11x6x6cm 0.44kg	Includes Cap
BPLR7CE	Flush Face BPL Receiver, 1" NPT, PURPLE, Size 7	1" NPTM	11x6x6cm 0.44kg	Includes Cap
BPLN7BN	Flush Face BPL Nozzle, 3/4" NPT, PURPLE, Size 7	3/4" NPTF	11x5x5cm 0.52kg	Cap sold separately
BPLN7CN	Flush Face BPL Nozzle, 1" NPT, PURPLE, Size 7	1" NPTF	11x5x5cm 0.52kg	Cap sold separately
BPLR7BE-CT	Flush Face BPL Receiver, 3/4" NPT, PURPLE, Size 7 - Cold Temp	3/4" NPTM	11x6x6cm 0.44kg	Includes Cap ❄️
BPLR7CE-CT	Flush Face BPL Receiver, 1" NPT, PURPLE, Size 7 - Cold Temp	1" NPTM	11x6x6cm 0.44kg	Includes Cap ❄️
BPLN7BN-CT	Flush Face BPL Nozzle, 3/4" NPT, PURPLE, Size 7 - Cold Temp	3/4" NPTF	11x5x5cm 0.52kg	Cap sold separately ❄️
BPLN7CN-CT	Flush Face BPL Nozzle, 1" NPT, PURPLE, Size 7 - Cold Temp	1" NPTF	11x5x5cm 0.52kg	Cap sold separately ❄️

Caps on pages 81 & 82