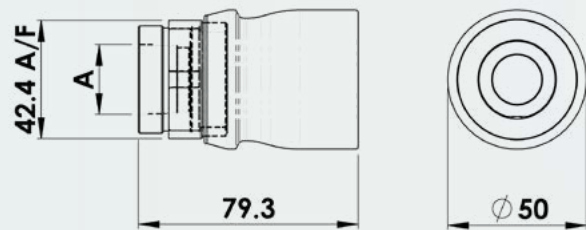
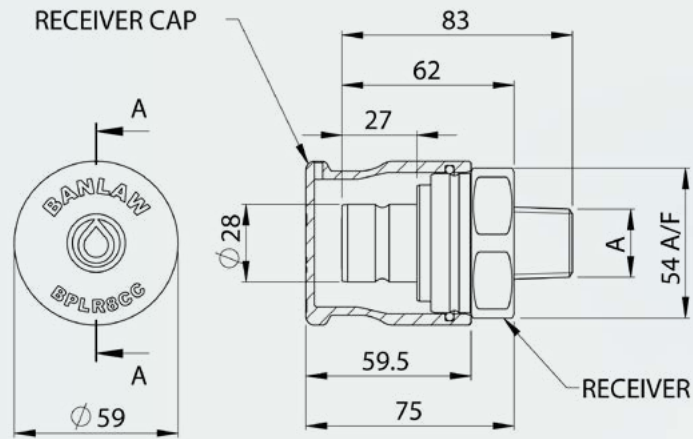


Size 8 - Platinum/Grey



BPLN8BN

BPLR8CE

Part Number	Product Description	Tech Specs - A	Shipping - Dimensions & Weight	Items Included
BPLR8BE	Flush Face BPL Receiver, 3/4" NPT, PLATINUM/GREY, Size 8	3/4" NPTM	11x6x6cm 0.45kg	Includes Cap
BPLR8CE	Flush Face BPL Receiver, 1" NPT, PLATINUM/GREY, Size 8	1" NPTM	11x6x6cm 0.45kg	Includes Cap
BPLN8BN	Flush Face BPL Nozzle, 3/4" NPT, PLATINUM/GREY, Size 8	3/4" NPTF	11x5x5cm 0.58kg	Cap sold separately
BPLN8CN	Flush Face BPL Nozzle, 1" NPT, PLATINUM/GREY, Size 8	1" NPTF	11x5x5cm 0.58kg	Cap sold separately
BPLR8BE-CT	Flush Face BPL Receiver, 3/4" NPT, PLATINUM/GREY, Size 8 - Cold Temp	3/4" NPTM	11x6x6cm 0.45kg	Includes Cap ❄️
BPLR8CE-CT	Flush Face BPL Receiver, 1" NPT, PLATINUM/GREY, Size 8 - Cold Temp	1" NPTM	11x6x6cm 0.45kg	Includes Cap ❄️
BPLN8BN-CT	Flush Face BPL Nozzle, 3/4" NPT, PLATINUM/GREY, Size 8 - Cold Temp	3/4" NPTF	11x5x5cm 0.58kg	Cap sold separately ❄️
BPLN8CN-CT	Flush Face BPL Nozzle, 1" NPT, PLATINUM/GREY, Size 8 - Cold Temp	1" NPTF	11x5x5cm 0.58kg	Cap sold separately ❄️