

Flow Control Valve 4"

Our 4" Flow Control Valves come with integrated Dry Break Receivers.

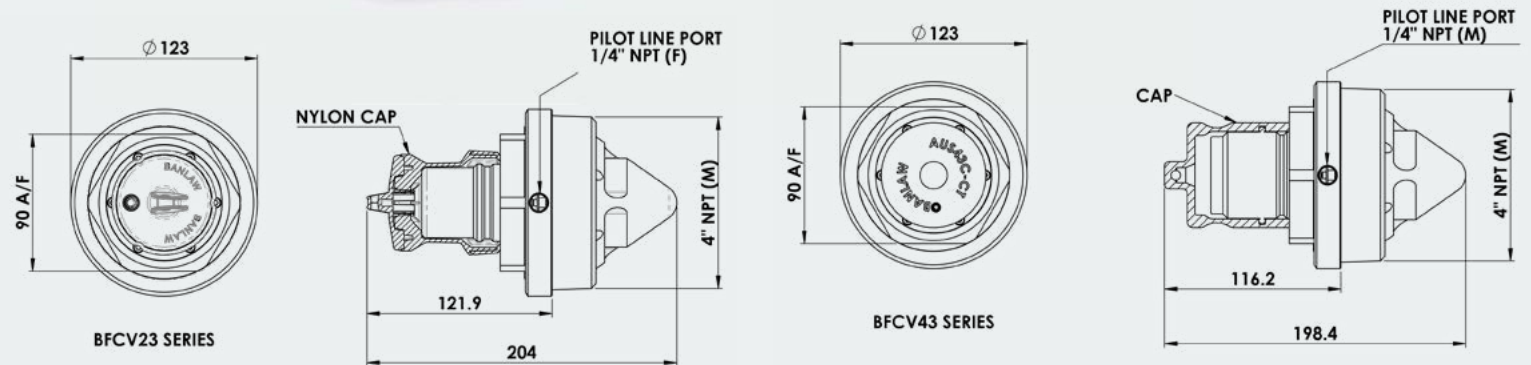
The BFCV23 variants, support flow rates from 200lpm to 800lpm, and are compatible with our 800 Series Dry Break Nozzles (the industry standard size).

The BFCV43 supports flow rates from 400lpm to 1000lpm. It is compatible with our 1000 Series Dry Break Nozzle.

The 4" Flow Control Valves feature a rotating pilot line collar to assist with the routing of the External pilot line during installation.

These valves have the same 4" thread type as flow control valves on many diesel locomotives. This allows ease of conversions to allow a Banlaw Nozzle to be used to safely refuel a locomotive fuel tank.

BFCV23



Part Number	Product Description	Tech Specs	Shipping - Dimensions & Weight	Items Included
BFCV23	FillSafe Zero - Flow Control Valve, Suits 800 Series Mining Nozzle	4" NPTM	17x12x12cm 2.02kg	Includes Cap
BFCV23R	FillSafe Zero - Flow Control Valve, Suits 800 Series Rail Nozzle - Rail	4" NPTM	17x12x12cm 2.02kg	Includes Cap
BFCV43	FillSafe Zero - Flow Control Valve, Suits 1000 Series Nozzle	4" NPTM	17x12x12cm 2.1kg	Includes Cap
BFCV23-CT	FillSafe Zero - Flow Control Valve, Suits 800 Series Mining Nozzle - Cold Temp	4" NPTM	17x12x12cm 2.02kg	Includes Cap
BFCV23R-CT	FillSafe Zero - Flow Control Valve, Suits 800 Series Rail Nozzle - Rail - Cold Temp	4" NPTM	17x12x12cm 2.02kg	Includes Cap
BFCV43-CT	FillSafe Zero - Flow Control Valve, Suits 1000 Series Nozzle - Cold Temp	4" NPTM	17x12x12cm 2.1kg	Includes Cap