

Refuelling

Banlaw refuelling products have provided users with industry-leading flow rates, durability, and operator safety for 40 years.

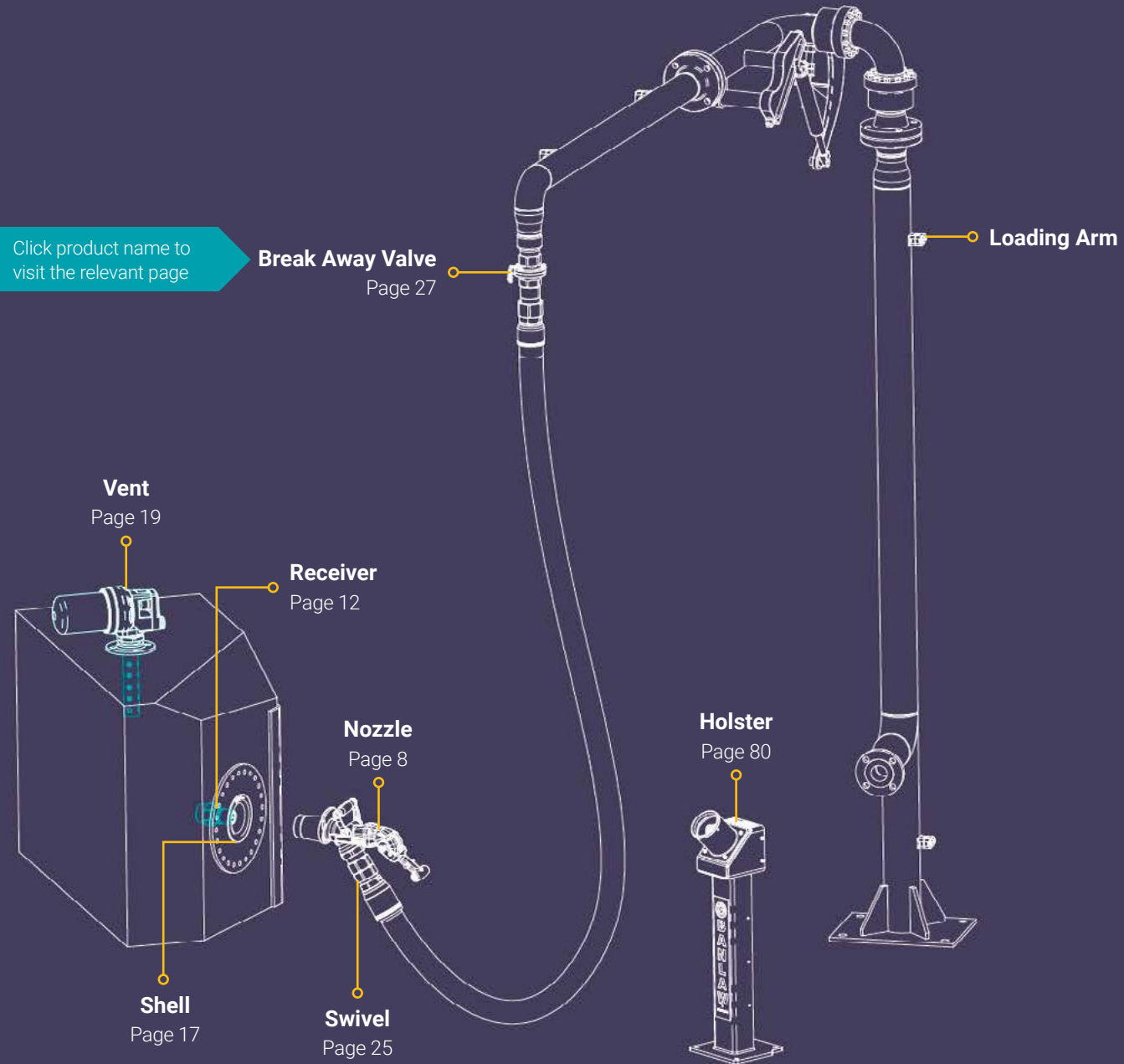
Our Dry Break refuelling equipment is the most reliable on the market.



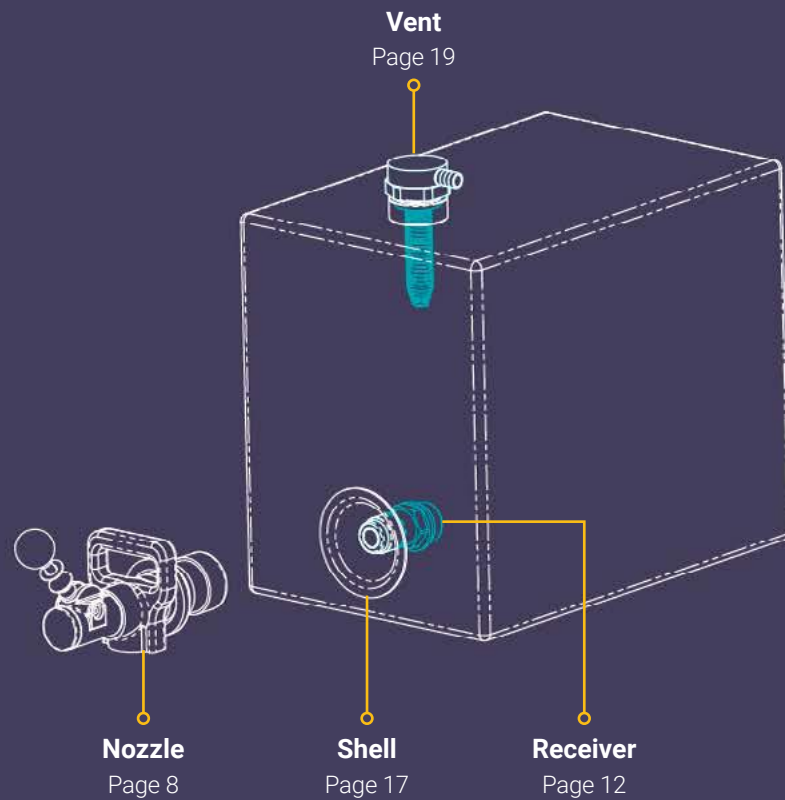
System Diagrams



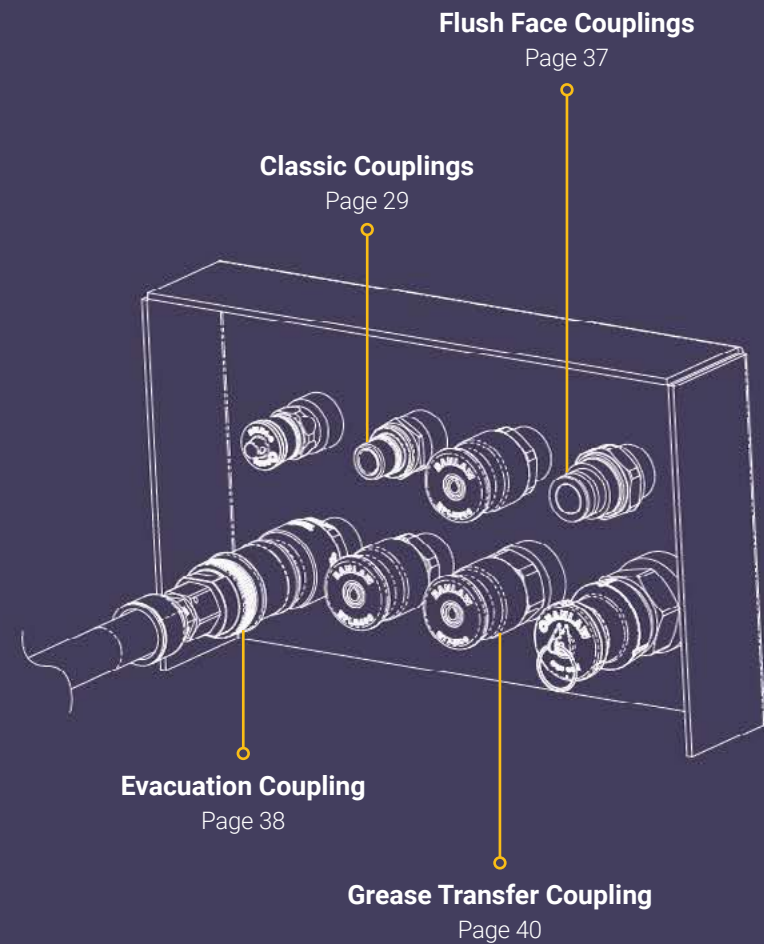
Click product name to visit the relevant page



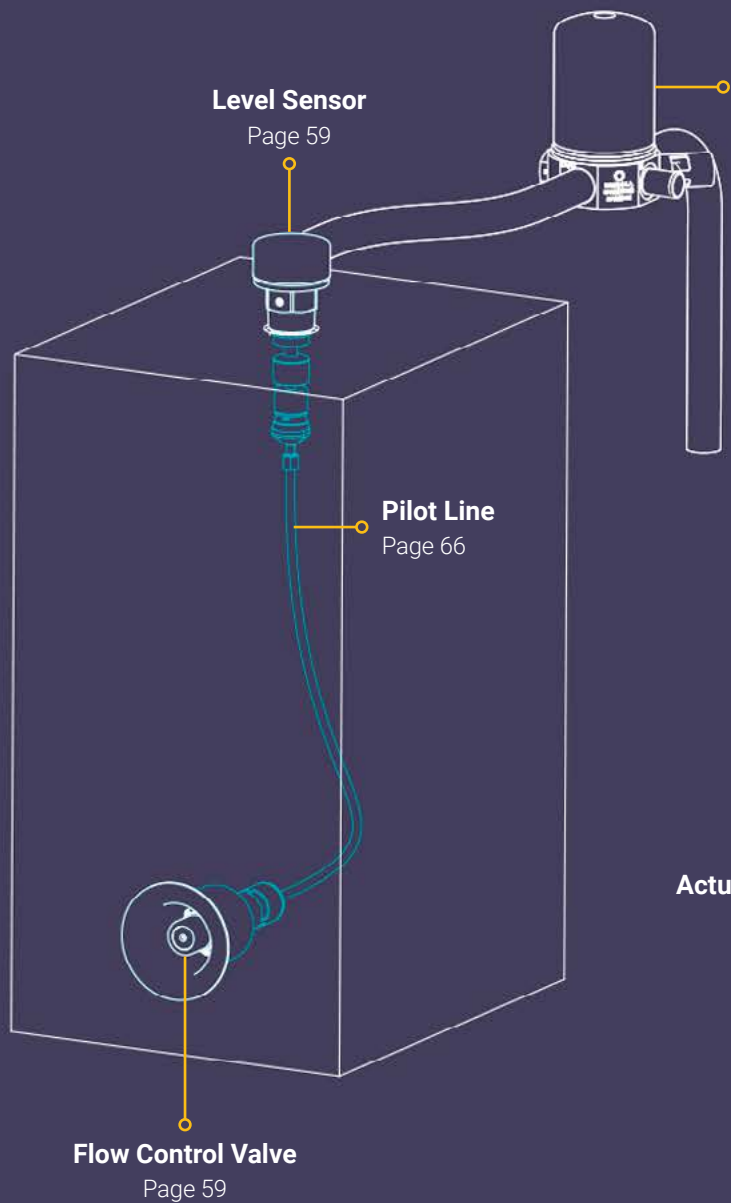
Refuelling



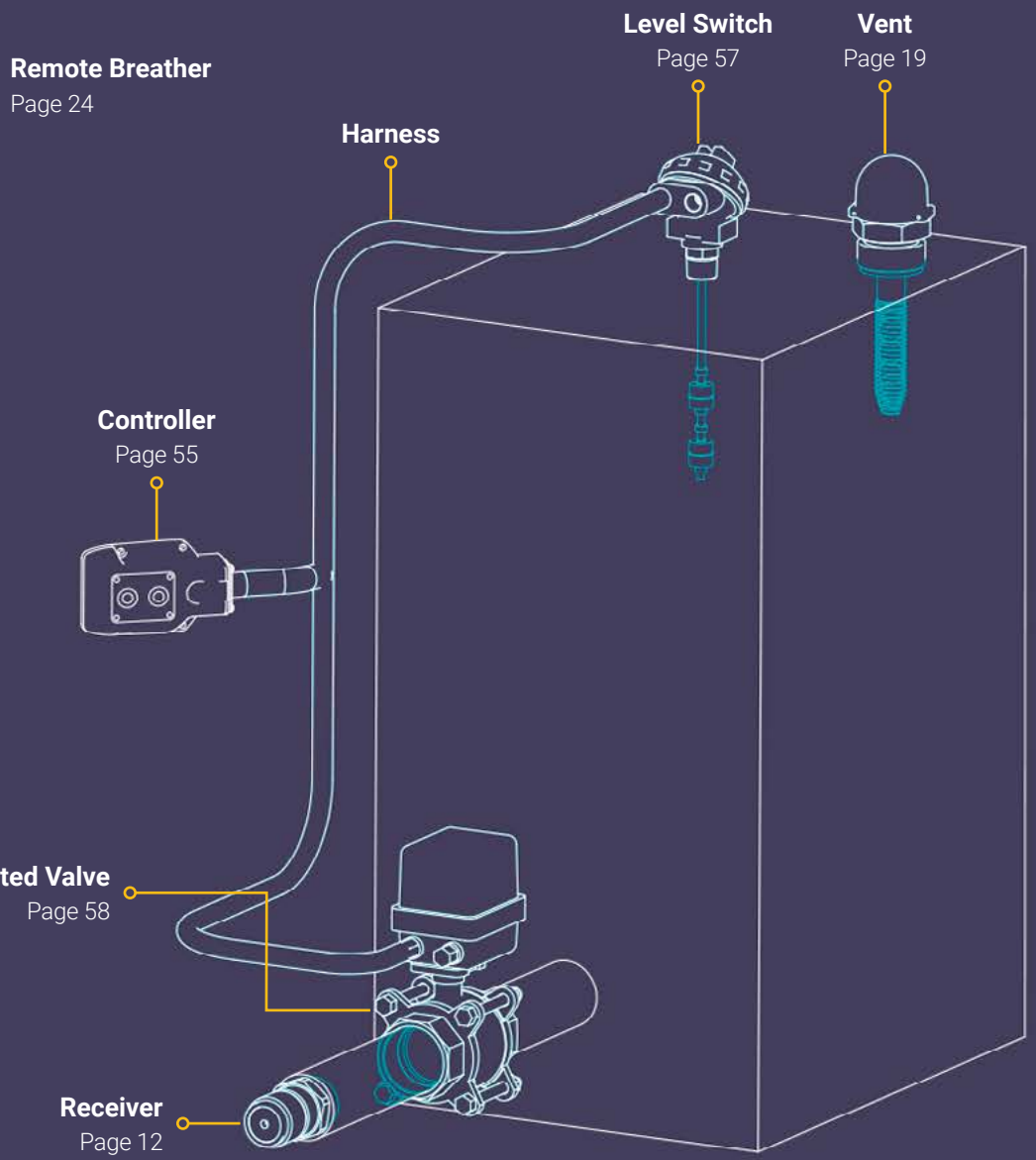
Underground Refuelling



Fluid Transfer



Mechanical Over fill Protection



Electronic Over fill Protection

