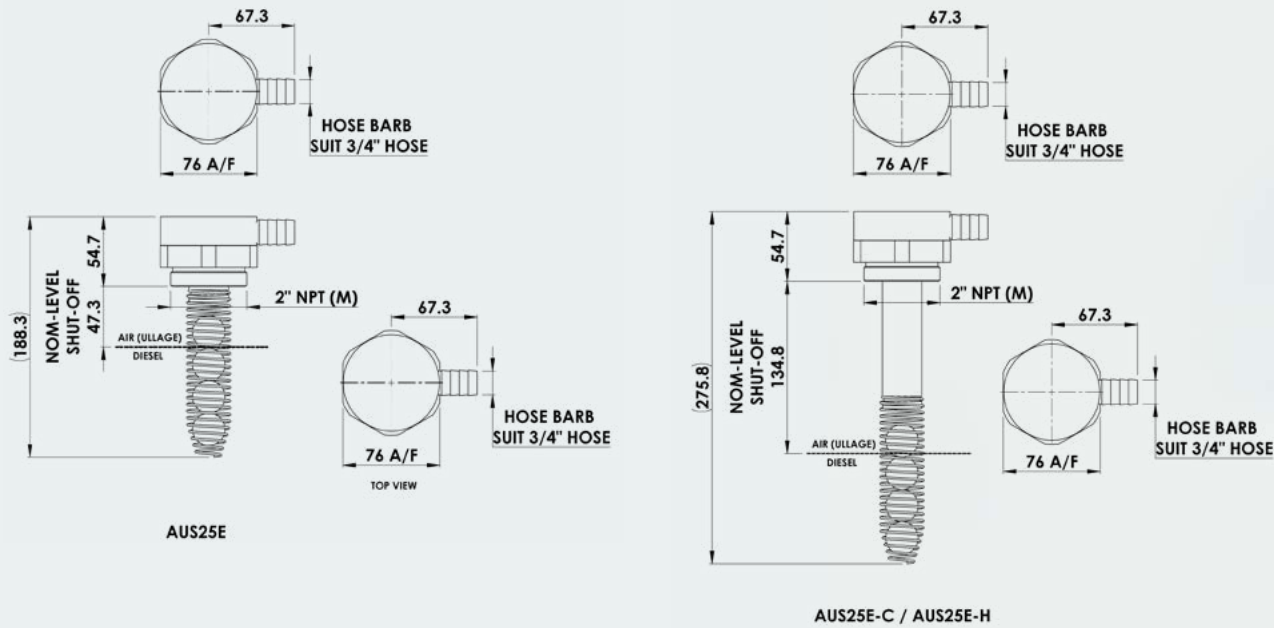


Unfiltered - Low Profile



AUS25E-C

Part Number	Product Description	Tech Specs	Shipping - Dimensions & Weight
AUS25E	Vent Low Profile (short stem 36mm) with 2" NPT (Male) thread, 7psi	2" NPTM, 7PSI	20x15x8cm 1.15kg
AUS25E-C	Vent Low Profile Extended with 2" NPT (Male) thread 7psi	2" NPTM, 7PSI	28x15x8cm 1.35kg
AUS25E-H	Vent Low profile Extended with 2" NPT (Male) thread 16psi	2" NPTM, 16PSI	28x15x8cm 1.35kg