

Donaldson Part No: **P570330**

Fluid Compatibility: All diesel fuels & lubricants

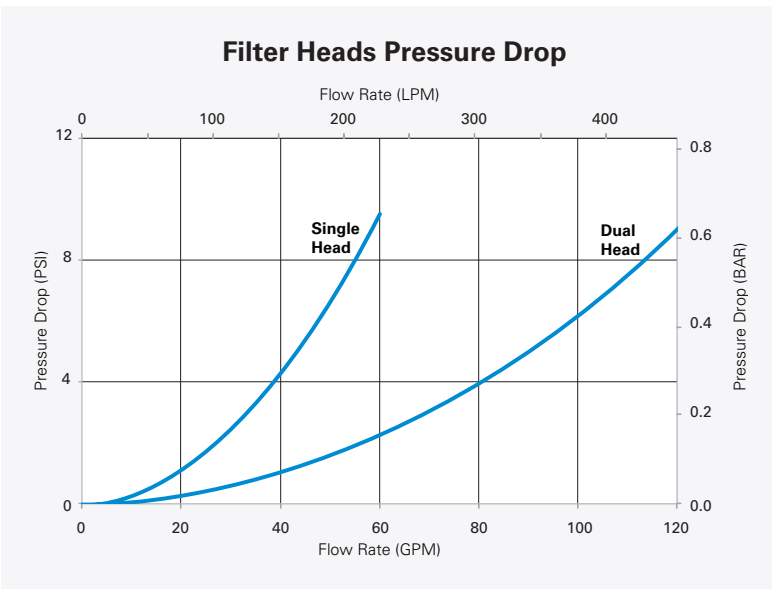
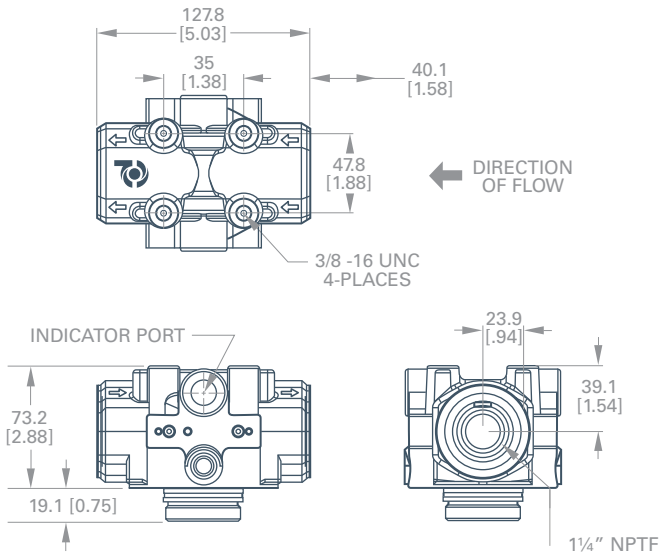


Clean Solutions filter heads feature robust, aluminum construction with steel inserts to minimise metal-to-metal bonding, or galling, between the head and the filter, even when used with diesel fuel.

The threaded insert contains an O-ring seal eliminating cross contamination from the unfiltered to clean side of the fitted elements. Viton® seals are compatible with a wide range of fluids and maintain their integrity in cold weather.

SPECIFICATIONS

Maximum Flow Range	246 lpm
Working Pressure	350 psi / 2413 kPa / 24.1 bar
Operating Temperature	-40°C to 118°C
Connection	1 1/4" NPTF
Dry weight	1.13 kg



DESIGNED FOR USE WITH

- 
Compact Fuel Filter
 DBB5333
- 
Compact Fuel Filter
 DBB7733
- 
Fuel Filter
 DBB8666
- 
Fuel Filter
 DBB8777
- 
Light Oil Filter
 DBB8665
- 
Heavy Oil Filter
 DBB8664
- 
Water Absorbing Filter
 DBB0248

ACCESSORIES

PARTS

Threaded Pipe Nipple	P573642 - 1 1/4" NPT, for connecting two P570330 single heads in series
Threaded Insert O-rings	P164050 - Replacement O-Rings for heads and manifolds, Viton, not for use on hP

PRESSURE GAUGES AND SERVICE INDICATORS

Electrical Service Indicator	P174396 - 50 psi / 345 kPa / 3.45 bar, microprocessor compatible
Visual Service Indicator	P574177 - 50 psi / 345 kPa / 3.45 bar, industrial grade green to red
Visual Service Indicator	P165965 - 25 psi / 172 kPa / 1.72 bar, industrial grade green to red
Upstream Pressure Gauge Adapter	P573682 - For single and dual heads, 1/8" NPT
Pressure Gauge	P573681 - 0 - 60 psi / 414 kPa / 4.1, 1/8" NPT, centre back mount, 1 1/2" diameter, use with P573682 adapter

SAMPLING TOOLS

Upstream Sampling/Indicator Port Adapter	P573414 - SAE-4, use with P563224 for sampling
Downstream Sampling / Indicator Port Adapter	P573415 - SAE-4, use with P563224 for sampling
Test Point	P563224 - For use with P573414 and P573415 adapters SAE-4 to M16 x 2
Test Point	P563215 - For dual heads, 1/4 BSPP to M16 x 2, use with P506071 flange
Test Point Hose Assembly	P563255 - 1220mm 1620 series M16 x 2 thread, for use with P563215, P563224 mini mess test points

