



# Bulk hP Filters and Heads

Filtering oil prior to dispensing into equipment is critical to meet the ISO cleanliness specifications demanded by today's OEM's. Donaldson Bulk hP filters provide high efficiency filtration in a single pass.

Service shops use high pressure pumps to force oil through long lengths of piping and hose reels prior to dispensing into equipment. Donaldson Bulk hP filters remove contaminants delivered in oil and picked up in storage or delivery lines during final transfer. They ensure the required ISO cleanliness level is met every time.



**hP Single Head**



**hP Head with Bypass**



<b>Part Number</b>	P566023	P566024
<b>Working Pressure</b>	1000 psi / 6894 kPa / 68.9 bar	
<b>Indicator</b>	Yes	
<b>Bypass Valve</b>	No	Yes - 50 psi / 345 kPa / 3.4 bar
<b>Connections</b>	SAE-16 O-ring	



**Bulk hP Filter**



**Bulk hP Filter**



**Bulk hP Filter**



<b>Part Number</b>	P565184	P565185	P565183
<b>Target ISO Cleanliness</b>	14/13/11	16/14/11	18/16/13
<b>Fluid Compatibility</b>	Petroleum based oils		
<b>Max. Flow Range</b>	50 gpm / 189 lpm		
<b>Micron Rating &amp; Efficiency</b>	4 micron @ Beta 2000	8 micron @ Beta 2000	14 micron @ Beta 2000
<b>Working Pressure</b>	1000 psi / 6894 kPa / 68.9 bar		
<b>Element Collapse Pressure</b>	300 psi / 2068 kPa / 20.7 bar		
<b>Application</b>	Hydraulic, gear, transmission and engine oils		
<b>Rated Static Burst</b>	2200 psi / 15,168 kPa / 151.7 bar		

## FEATURES

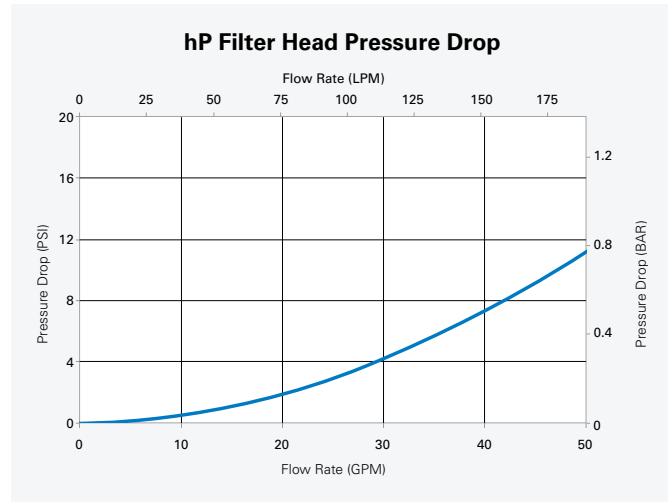
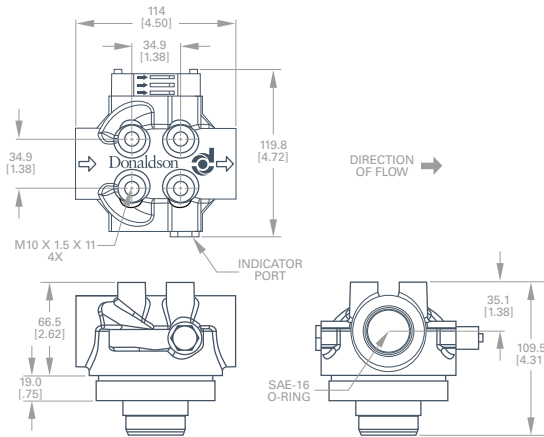
- Up to 1000 psi / 6894 kPa / 68.9 bar working pressure
- Extended life filters with high dirt holding capacity
- Easy disposal with recyclable can and incinerable element
- Compact design requires only 1.5" / 38 mm clearance for servicing

## APPLICATIONS

- Lube shops
- Mobile service trucks
- Other higher pressure single pass applications



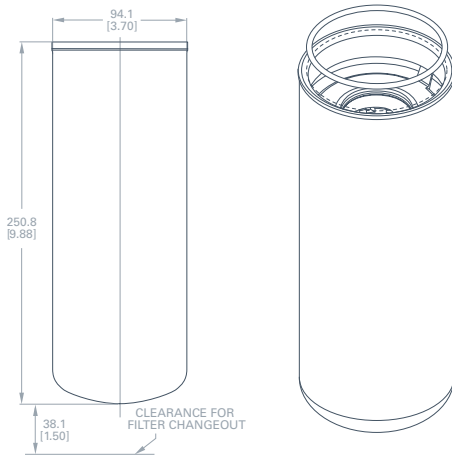
**Bulk hP Filter Heads**  
P566023 | P566024



See pressure drop / flow rate curves on page 31.



**Bulk hP Filters**  
P565184 | P565185 | P565183



### **WARNING**

**THERMAL EXPANSION** Donaldson highly advises following the pump manufacturer's relief recommendations. Pump manufacturers offer relief valves to protect against over pressurization. A mere 10 °F / 5.5 °C increase in oil temp can add 450 psi / 3103 kPa / 31 bar to the system while the pump is shut off.