



Process Equipment

Pumping Solutions for Process Industries



PROVEN QUALITY. LEADING TECHNOLOGY.

Electric Double Diaphragm Pumps

Husky™

Electric Diaphragm Pumps

Eliminate unnecessary pump failures, improve your facilities energy efficiency and create a quieter and cleaner work environment for your employees. Graco's Husky e-Series pump will help you achieve all of those items!

- Patent pending technology allows pump to **stall under pressure** preventing pump failures from clogged lines or closed valves
- **Energy efficient** electric drive reduces energy consumption up to 5x compared to traditional air operated diaphragm pumps
- Seal-less diaphragm pump design **eliminates leaking** and failures due to run-dry pump conditions

Need Low Pulsation? No Problem!

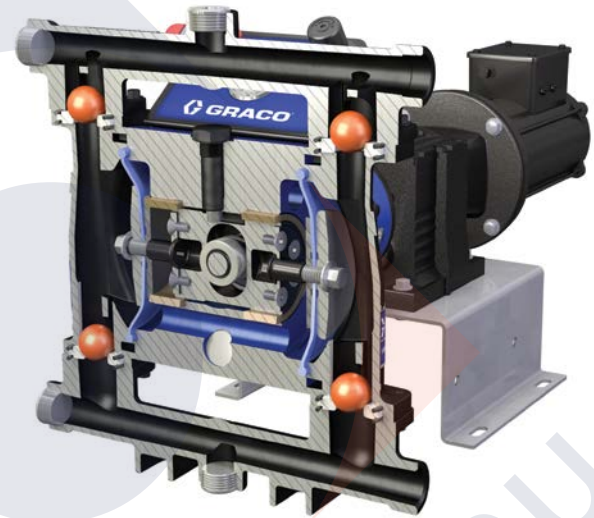
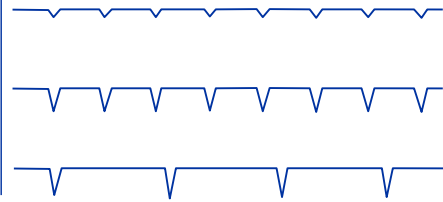
Our Husky e-Series pumps are ideal for applications that require low pulsation and a smooth flow. The air charged drive allows for the elimination or reduction of pulsation WITHOUT expensive pulsation dampness or surge tanks.

Pulsation Chart

Husky e-Series
(in low pulse mode)

AODD

Peristaltic



Husky 1050e

1 in (25.4 mm) connection
Max flow: 50 gpm (189 lpm)
Available in Aluminum, Stainless Steel, and polypropylene as a stand alone pump or cart mounted pump



Husky 2150e

2 in (50.8 mm) connection
Max flow: 100 gpm (378 lpm)
Available in Aluminum, Stainless Steel, and polypropylene.



Find the Right Pump for Your Application

To order an air-operated or electric double diaphragm pump for your application, go to www.graco.com/process. Under related links, click on the **Online Diaphragm Pump Selector Tool** or contact your local distributor.



Air-Operated Double Diaphragm Pumps

ChemSafe™ Chemical Pumps

Our ChemSafe pumps are available with 100% PTFE or UHMWPE corrosion and abrasion-resistant fluid paths, making them ideal for even the most challenging fluids. They also have no exposed metals and can be configured in various materials to meet most abrasion, temperature and chemical compatibility requirements.

Leak Free Design

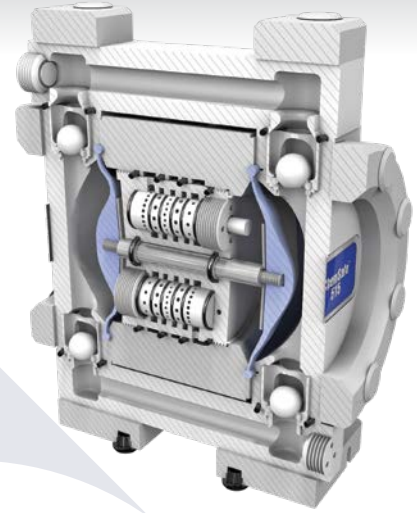
- Dual force, tie-bolt design ensures chemical containment
- Precision fit, CNC machined design

Corrosion-Resistance

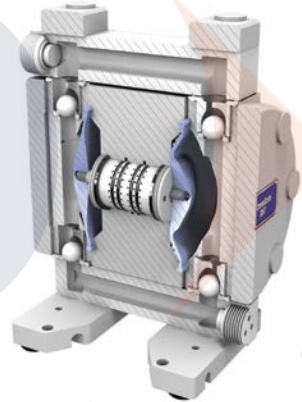
- 100% PTFE and UHMWPE fluid paths
- No exposed metals

Parallel Pilot Shifting

- Easy to maintain
- Stall-free design
- Reduced icing air system



ChemSafe Models: 515, 1040, 1590



ChemSafe Models: 205, 307



ChemSafe1590
1-1/2 in (38.1 mm)
99.5 gpm (376 lpm)



ChemSafe 1040
1 in (25.4 mm)
38.8 gpm (146 lpm)



ChemSafe 515
1/2 in (12.7 mm)
16 gpm (60.6 lpm)



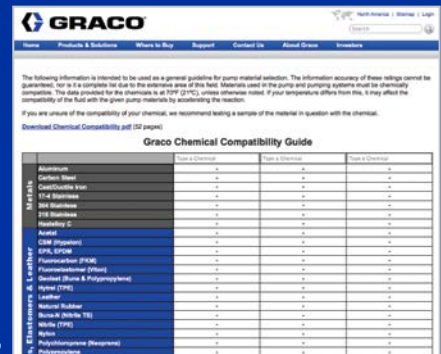
ChemSafe 307
3/8 in (9.4 mm)
6.7 gpm (25 lpm)



ChemSafe 205
1/4 in (6.3 mm)
3.7 gpm (14 lpm)

Choose the Right Material for Your Pump

Graco is making it easy to select a pump that's right for you. Go to www.graco.com/ChemicalGuide to see what pump material you should use with your chemicals.



| | Acetic Acid | Hydrochloric Acid | Sulfuric Acid |
|---|-------------|-------------------|---------------|
| Metals: | | | |
| Aluminum | - | - | - |
| Carbon Steel | - | - | - |
| Cast/Structural Iron | - | - | - |
| 13-8 Stainless | - | - | - |
| 304 Stainless | - | - | - |
| 316 Stainless | - | - | - |
| Aluminum C | - | - | - |
| Plastics: | | | |
| CBW (Polyurethane) | - | - | - |
| CPVC (CPVC) | - | - | - |
| Fluorocarbon (FPM) | - | - | - |
| Fluorocarbon (FFKM) | - | - | - |
| High-Density Polyethylene (HDPE) | - | - | - |
| Low-Density Polyethylene (LDPE) | - | - | - |
| High-Density Polyethylene (HDPE) | - | - | - |
| Linear Low-Density Polyethylene (LLDPE) | - | - | - |
| Nylon | - | - | - |
| Polycarbonate (PC) | - | - | - |
| Polymethyl Methacrylate (PMMA) | - | - | - |
| Polypropylene | - | - | - |

Example of Chemical Compatibility Guide

Air-Operated Double Diaphragm Pumps

Husky™ Pumping Technology

Our Husky air-operated double diaphragm pumps are loaded with features to help you get the job done right, every time, and are built to save you money.

Rugged construction

Resists corrosion for reliable performance and long life

Heavy-duty design - Offers long life, increased productivity and lower overall cost of ownership

Flow rates up to 300 gpm (1135 lpm)

Lube-free for cleaner operation

DataTrak™ available to prevent pump runaway and track material usage



Husky 3300

3 in (76.2 mm) connection
Max flow: 300 gpm (1135 lpm)
Polypropylene, aluminum,
stainless steel



Husky 2200

2 in (50.8 mm) connection
Max flow: 200 gpm (757 lpm)
Polypropylene, PVDF



Husky 2150

2 in (50.8 mm) connection
Max flow: 150 gpm (568 lpm)
Polypropylene, PVDF, aluminum,
stainless steel, iron



Husky 15120

1-1/2 in (38.1 mm) connection
Max flow: 120 gpm (454 lpm)
Polypropylene, PVDF



Husky 1590

1-1/2 in (38.1 mm) connection
Max flow: 90 gpm (340 lpm)
Polypropylene, PVDF, aluminum,
stainless steel



Husky 1050

1 in (25.4 mm) connection
Max flow: 50 gpm (189 lpm)
Aluminum, polypropylene, PVDF,
conductive polypropylene,
hastelloy, stainless steel

The Husky Advantage

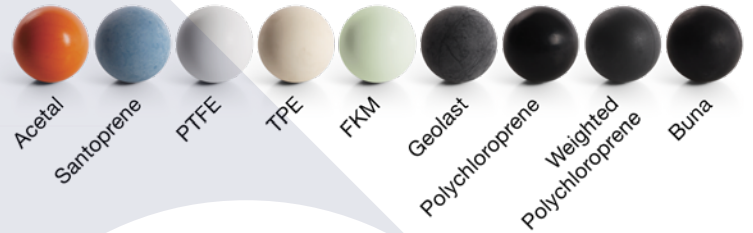
Loaded with Options

Choose from a wide selection of materials to handle numerous applications, including corrosive and abrasive fluid transfer.

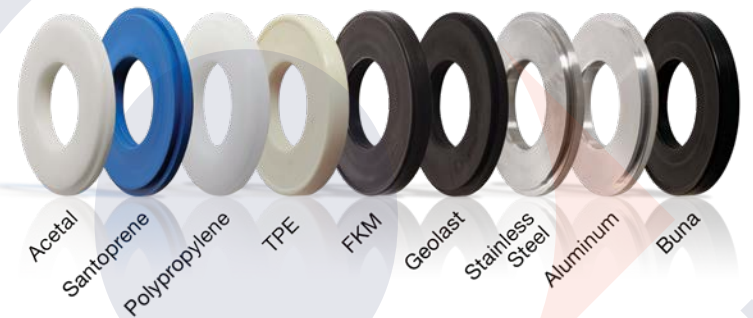
Key Fluids

- Paints, stains, coatings, inks and dyes
- Chemicals
- Acids
- Corrosive and abrasive fluids
- Lubricants
- Ceramic glazes
- Sludge, slurry and waste fluid
- Soaps, detergents and solvents

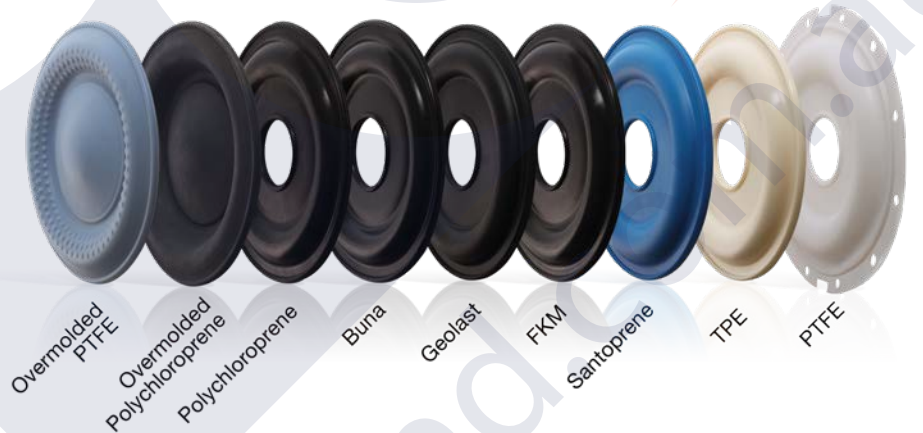
Balls



Seats



Diaphragms



Husky 1050HP
1 in (25.4 mm) connection
Max flow: 50 gpm (189 lpm)
Aluminum and stainless steel



Husky 716
3/4 in (19.1 mm) connection
Max flow: 16 gpm (61 lpm)
Aluminum, stainless steel



Husky 515
1/2 in (12.7 mm) connection
Max flow: 15 gpm (57 lpm)
Polypropylene, acetal, PVDF



Husky 307
3/8 in (9.4 mm) connection
Max flow: 7 gpm (26 lpm)
Polypropylene, acetal



Husky 205
1/4 in (6.3 mm) connection
Max flow: 5 gpm (19 lpm)
Polypropylene, acetal, PVDF

SoloTech™

Peristaltic Hose Pumps

With only the hose in contact with the fluid being pump and no check valves in line, Graco's SoloTech peristaltic pumps are ideal for materials that other pumps cannot handle.

- **Efficient Pumping Action** - One hose compression per revolution extends hose life
- **Low Maintenance** - No valves, seals or glands
- **Reversible** - Pumps can be used to empty lines or clear blockages
- **Extended Hose Life** - Only one hose compression per revolution



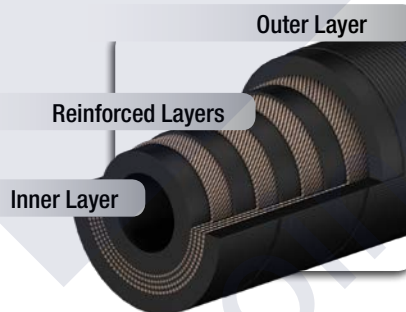
Single Roller Design

The single roller design compresses an engineered hose through a full 360 degrees of rotation, meaning the roller is only in contact with the hose once per revolution. This reduces compressions, temperature, and friction and improves hose life.

Choose from 4 different hose materials to meet your specific application requirements

Hose Design

With only the hose in contact with the fluid being pump and no check valves in line, Graco's SoloTech peristaltic pumps are ideal for materials that other pumps cannot handle. Abrasive, corrosive, shear sensitive, and gas entrapped fluids can easily be pumped or dosed into your application.



SoloTech 10
Max flow rate of 0.5 gpm (1.9 lpm). Typically used for chemical metering applications.



SoloTech 23
Max flow rate of 5 gpm (18.9 gpm). Typically used for chemical metering applications.



SoloTech 26
Max flow rate of 10 gpm (37.8 lpm). Typically used for abrasive material transfer applications.



SoloTech 30
Max flow rate of 16 gpm (60.5 lpm). Typically used for abrasive material transfer applications

| Hose Materials | Stripe Color / Inside Color | Max. Fluid Temperature | Application Area |
|-------------------------------------|-----------------------------|------------------------|----------------------------|
| Natural Rubber (NR) | None / Black | 160°F (71°C) | Abrasives |
| Chlorosulfonated polyethylene (CSM) | Orange / Black | 250°F (121°C) | Highly corrosive chemicals |
| Nitrile | Yellow / Black | 220°F (104°C) | Oils or oily products |
| Ethylene propylene (EPDM) | Blue / Black | 250°F (121°C) | Corrosive chemicals |

Hydra-Clean® On-Demand High Pressure Cleaning

Graco pneumatic-driven and hydraulic-driven Hydra-Clean heavy-duty pressure washers are perfect for use in a variety of in-plant cleaning applications and can be used with hot or cold water, detergents or strong chemical solutions up to 200°F (93°C). Available in wall-mount and cart-mount options

- **300 Series Stainless Steel Lower** – Compatible with many extreme chemicals and ideal for use with open-head drums
- **Supports multiple guns**
- **Five different spray tips** – Standard
- **Optional hose reel** – Easy hose storage



Pneumatic Hydra-Clean



Hydraulic Hydra-Clean

Transfer Pumps

Husky Transfer Pumps

Easily pump from 55 gallon drum with flow rates up to 16 gpm (61 lpm). Available in aluminum, carbon steel, stainless steel and polypropylene.

- **Suction tube** immersed inside the drum
- **Quick-priming** and immediate flow of product
- **Fluid viscosities up to 5,000 cps** and solids up to 0.09 in (2.29 mm)
- **Air tight seal** for moisture-sensitive fluids
- **Bung adapter** fits into any 2 in (50.8 mm) bung opening



Fast-Flo® 1:1

Deliver a smooth, reliable flow. Drum length and stubby models are available in either carbon steel or stainless steel materials of construction. Ideal for a variety of non-corrosive and corrosive materials.

- **Flow rates** up to 5 gpm
- **Immersed inlet** for faster priming of heavier fluids
- **Air-powered** for high reliability and low cost
- **Disc check** options for lower viscosity fluids



Ink Pumps

Pneumatic and hydraulic ink pumps with enclosed, dual seal wet cup design with an extended seal life - ideal for the most difficult inks.

- **Prolong seal life** with enclosed, dual seal wet cup
- **Runaway control** with optional DataTrak
- **MaxLife®** seal for longer life
- **Handles difficult inks**, like letterpress and lithographic



All written and visual data contained in this document are based on the latest product information available at the time of publication. Graco reserves the right to make changes at any time without notice.

