

EXECUTIVE™ G2 350-23



5075
PSI



23
L/PM



HONDA GX690
PETROL
ENGINE TYPE
POWERED BY HONDA



GEARBOX
1450RPM
DRIVE



HOT WATER
OUTPUT

HERO INNOVATIONS



TLL™
Top Lifting Lugs



PEXO™
Stainless Steel Exoskeleton



JWPP™
Jetwave Italian Premium Pump



CC™
Centralised Control



AVPS™
Anti Vibration Protection System



APPLICATIONS



Tradesmen



Commercial Cleaners



Shipping & Logistics



Hire & Rental



STANDOUT FEATURES



JW® Enhanced Italian triplex plunger pump running at 1450RPM delivers more performance and longer life.



Electric start Industrial V-Twin Honda™ GX690 Series Engine with digital engine hour meter.



Jetwave Safety System™ (JSS) thermal and safety valve to prevent overheating in excessive bypass and over pressurisation.



Vertical burner with GeniSys™ 12v Advanced Burner Control with smart sensors and protective features.



Battery isolator & Emergency stop for increased safety and longevity.



Seamless under chassis mounted dual fuel tanks protected from heat with front fill point safety.

STANDARD EQUIPMENT

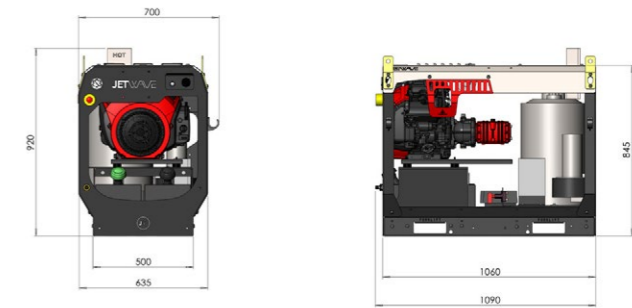


Industrial easy pull spray gun & single insulated lance.



15m Double Wire Braid Hose w/M24 Couplings.

DIMENSIONS (MM)



TECHNICAL DATA 0:00

Product Code	HW5000-23PG2
Pressure / Flow Rate	5075 PSI (350 BAR) / 23 L/PM
Max Water Inlet / Outlet Temp	60°C / 90°C
Class (AS/NZS: 4223)	A (8,050 Bar/Litres)
Usage Frequency	Professional: 4 Hours Daily
Nozzle Size	05
Frame Structure	CNC Modular skid galvanised steel chassis plus satin powder coat finish and stainless steel cover

MOTOR FEATURES

Engine / Power	Honda™ GX690 Electric Key Start (air cooled) 23 HP / 690 CC
Fuel Type / Capacity / Protection	Unleaded / 17L / Low Oil Shutdown

HYDRAULIC FEATURES

Pump / Head / Pistons	JW® Italian Triplex Plunger / Brass (Nickle Plated) / Ceramic
Motor Pump Coupling / Pump RPM	Gearbox Drive / 1450RPM
Unloader Valve	Independent - Adjustable
Safety Valve	Yes
Detergent Injector	No

THERMAL FEATURES

Burner Model	Vertical 12v V Series
Fuel Supply / Capacity / Consumption	Diesel / 17L / 5.74 L/PH
Coil / Housing Material	Mild steel 3mm wall seamless (400BAR rated) / Stainless Steel

DIMENSIONS & WEIGHT

Machine Dimensions / Weight	Skid: 1090mm(L) x 700mm(W) x 920mm(H) / 295KG (approx.)
-----------------------------	---

WARRANTY(S)

Unit / Pump Warranty*	2 Years
Engine Warranty*	3 Years

OPTIONAL ACCESSORIES

30m Hose Reel (Hose Reel Bracket Required)	1060CMPL	Honda iGX700 Engine Upgrade	ADD:FI
60m Hose Reel (Hose Reel Bracket Required)	1067CMPL	4 Wheel Trolley Kit	JWA407A
Hose Reel Bracket	90030HMP-G2-R1	On-board Water Bypass Cooling Tank	90008-12ROTOCMPL
Additional High Pressure Hose	52001	Low Level Water Cut Out	JWA220
JW Bypass Pro Foam	PROFOAM	Hose Reel Roller Guide HGS™	1067-GUIDEASSY (1067 Only)
Turbo Head w/Lance (350BAR)	JWA159.05		
21" Hammerhead - Stainless Steel	JWA-FSC21-5		

EXECUTIVE™ G2 350-23