



DISPENSERS



PUMPS



METERS



NOZZLE



FILTRATION



FLUID  
MONITORING

# PIUSI HAND PUMP



## FEATURES

- OPTIMIZED SUCTION CAPACITY
- STURDY CONNECTOR
- HEAVY DUTY LEVER
- FLUENT REVOLUTION
- HIGH EFFICIENCY
- ADJUSTABLE SUCTION PIPE

The PIUSI HAND PUMP is a rotary vane pump suitable for transferring low viscosity oils and diesel. Entirely designed, manufactured and certified in Italy, this sturdy pump guarantees a professional performance and easy transfer.

## PERFORMANCE

UP TO

**38L**

PER 100 REV

FLOW-RATE

**3MT**

LENGTH

DELIVERY HOSE



PIUSI HAND PUMP WITH HOSE AND STAINLESS STEEL SPOUT



## PACKAGING

CODE	WEIGHT		PACKAGING			N. BOXES / EUROPALLET	
	KG	LBS	MM	INCH	PCS/BOX	✈	🚚
<b>WITHOUT HOSE</b>							
FO033250A	2,1	4,6	350X170X140	-	1	50	100
<b>WITH HOSE</b>							
FO033252A	3,2	7	300X300X180	-	1	50	100



HOSE REELS



ACCESSORIES



MERCHANDISE

**PIUSI**

AIR



ANTIFREEZE



AdBlue®



BIODIESEL



DIESEL



FOOD



GASOLINE



GREASE



KEROSENE



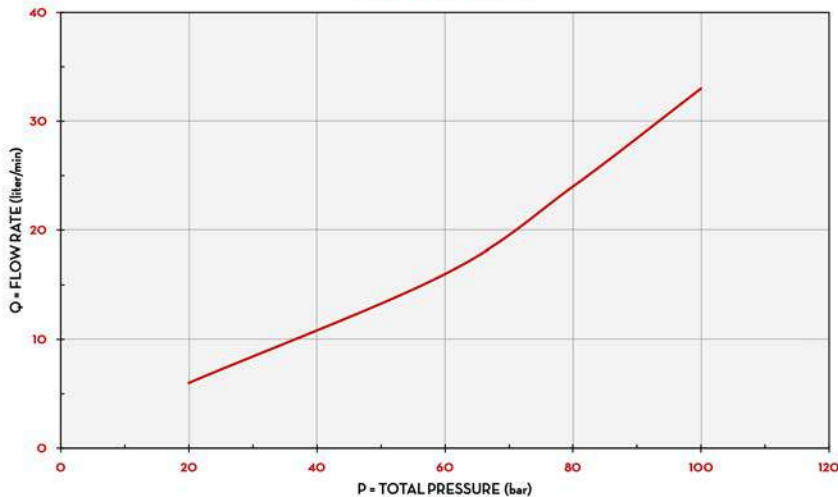
OIL



WATER



WINDSCREEN

**CHART****PIUSI HAND PUMP**

**TYPE OF FLUID** SAE 10W40  
**TEMPERATURE** 23 °C

**IN THE BOX**

- PISUI HAND PUMP
- SPOUT
- SUCTION PIPE
- DRUM CONNECTOR
- INSTRUCTION MANUAL

**DETAILS**

2" BSP DRUM CONNECTOR



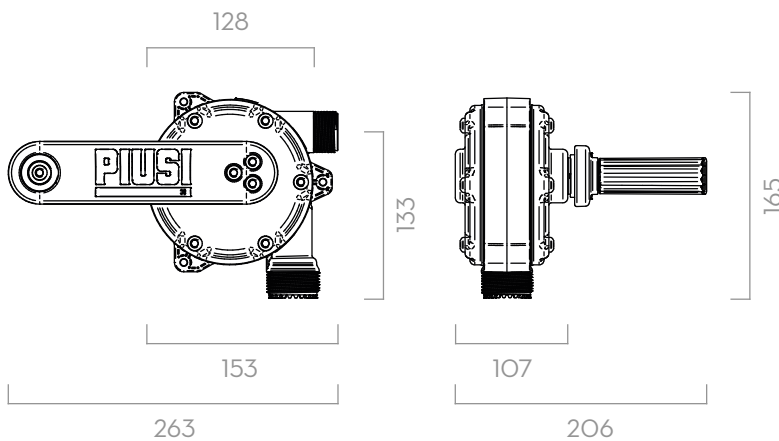
SUCTION PIPE



NON-SLIP HANDLE



STAINLESS STEEL SPOUT

**DIMENSIONS**

Dimensions expressed in millimeters

**MATERIALS**

- BODY: STAINLESS STEEL,
- TECHNOPOLYMER
- ROTOR: TECHNOLYMER
- VANES: TECHNOLYMER

**TECHNICAL DATA**

CODE	DESCRIPTION	FLUIDS TYPE	CAPACITY PER 100 REVOLUTIONS		DRUM CONNECTOR	SUCTION TUBE	"S" SPOUT AND HOSE TAIL	DELIVERY HOSE LENGTH
			L	USG				
<b>WITHOUT HOSE</b>								
FO033250A	PIUSI HAND PUMP 2" BSP	D O	38	10	2" BSP	YES	YES	-
<b>WITH HOSE</b>								
FO033252A	KIT PIUSI HAND PUMP 2" BSP WITH HOSE	D O	38	10	2" BSP	YES	-	3M

**PIUSI HAND PUMP**