

# K24

## FEATURES

- BURSTING PRESSURE 100 BAR
- LCD DISPLAY
- FLOW RATE INDICATION
- EASY TO CALIBRATE

The PIUSI K24 is a turbine digital flow meter specifically designed for diesel. Easy to install in-line or at the end of a delivery pipe, it is equipped with a rotatable display. This meter is available both with aluminium or technopolymer body.



## PERFORMANCE

<b>7-120</b> L/MIN FLOW RATE	<b>20 BAR</b> MAX OPERATING PRESSURE
<b>± 1%</b> ACCURACY	<b>0,2%</b> REPEATABILITY



K24

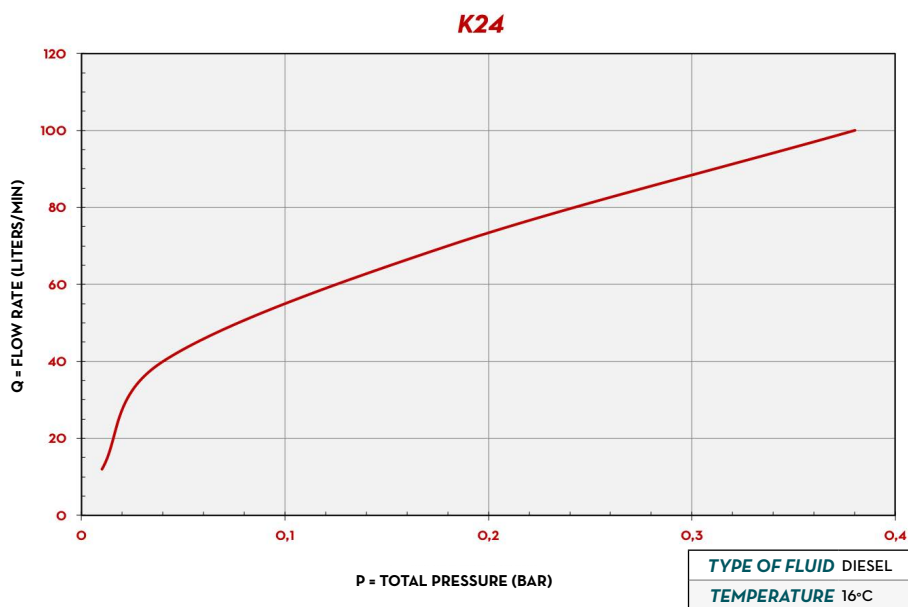


K24 PULSER

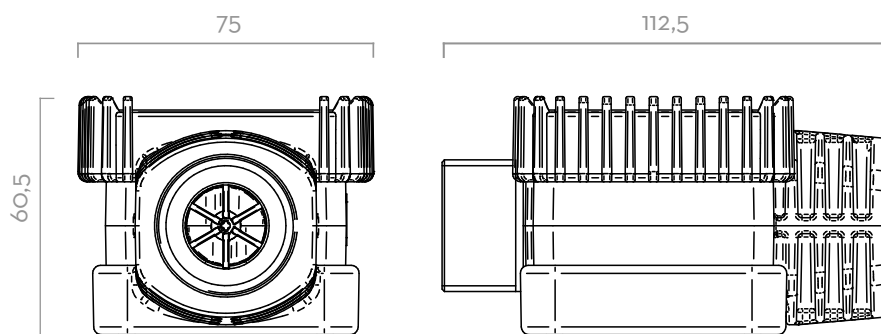
## PACKAGING

CODE	WEIGHT		PACKAGING		
	KG	LBS	MM	INCH	PCS/BOX
<b>K24</b>					
FOO40700A	0,5	1,1	BLISTER	BLISTER	1
FOO408100	0,5	1,1	BLISTER	BLISTER	1
<b>K24 PULSER</b>					
FOO40722A	0,5	1,1	115X16OX135	4,5X6,3X5,3	1

## CHART



## DIMENSIONS



Dimensions expressed in millimeters

## IN THE BOX

- K24 METER
- SOCKET F/F
- INSTRUCTION MANUAL

## DETAILS



## MATERIALS

- BODY: ALUMINIUM
- GEARS: TECHNOPOLYMER

## TECHNICAL DATA

CODE	DESCRIPTION	FLUIDS TYPE	FLOW RATE		PRESSURE		BATTERY 2X AAA BATTERY 1,5V (INCLUDED)	FLANGE	INLET / OUTLET
			L/MIN	GPM	BAR	PSI			
<b>K24</b>									
FOO40700A	K24 METER M/MF LITER BLACK 1INBSP	<span>D</span>	7 - 120	2 - 32	10	150	YES	NO	M 1" BSP - M 1" BSP
FOO408100	K24 M/F 1" BSP	<span>BIO</span> <span>D</span>	7 - 120	2 - 32	20	300	YES	NO	M 1" BSP - F 1" BSP
<b>K24 PULSER</b>									
FOO40722A	K24 PULSER M/MF LITER BLACK 1INBSP	<span>D</span>	7 - 120	2 - 32	10	150	NO	NO	M 1" BSP - M 1" BSP

UPON REQUEST AVAILABLE IN NPTF VERSION AND DISPLAY IN GALLON/QUARTER OR PRINT N° 2X1,5V BATTERY INCLUDED