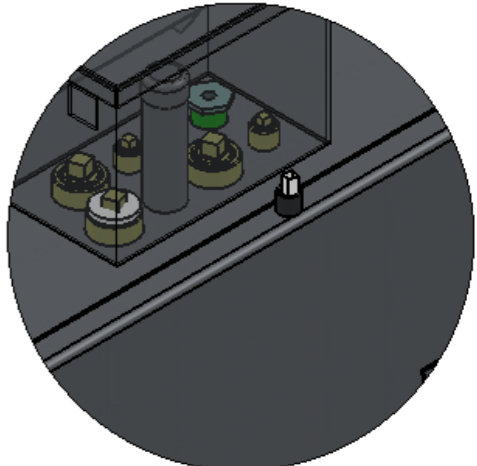
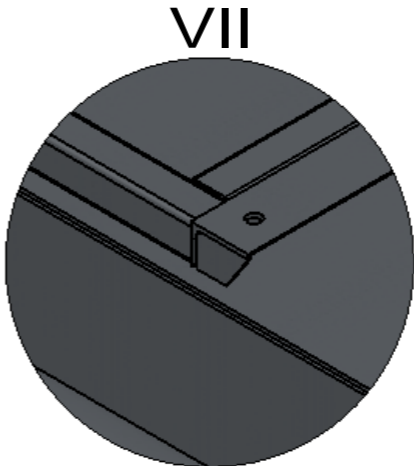
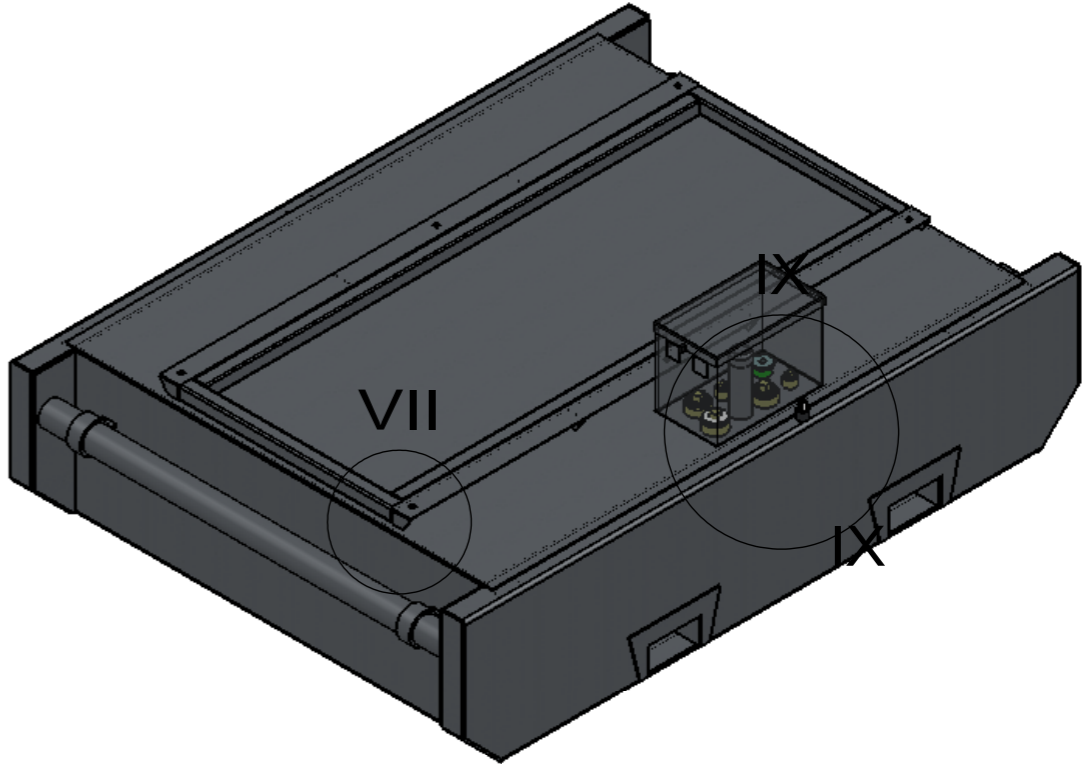

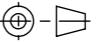
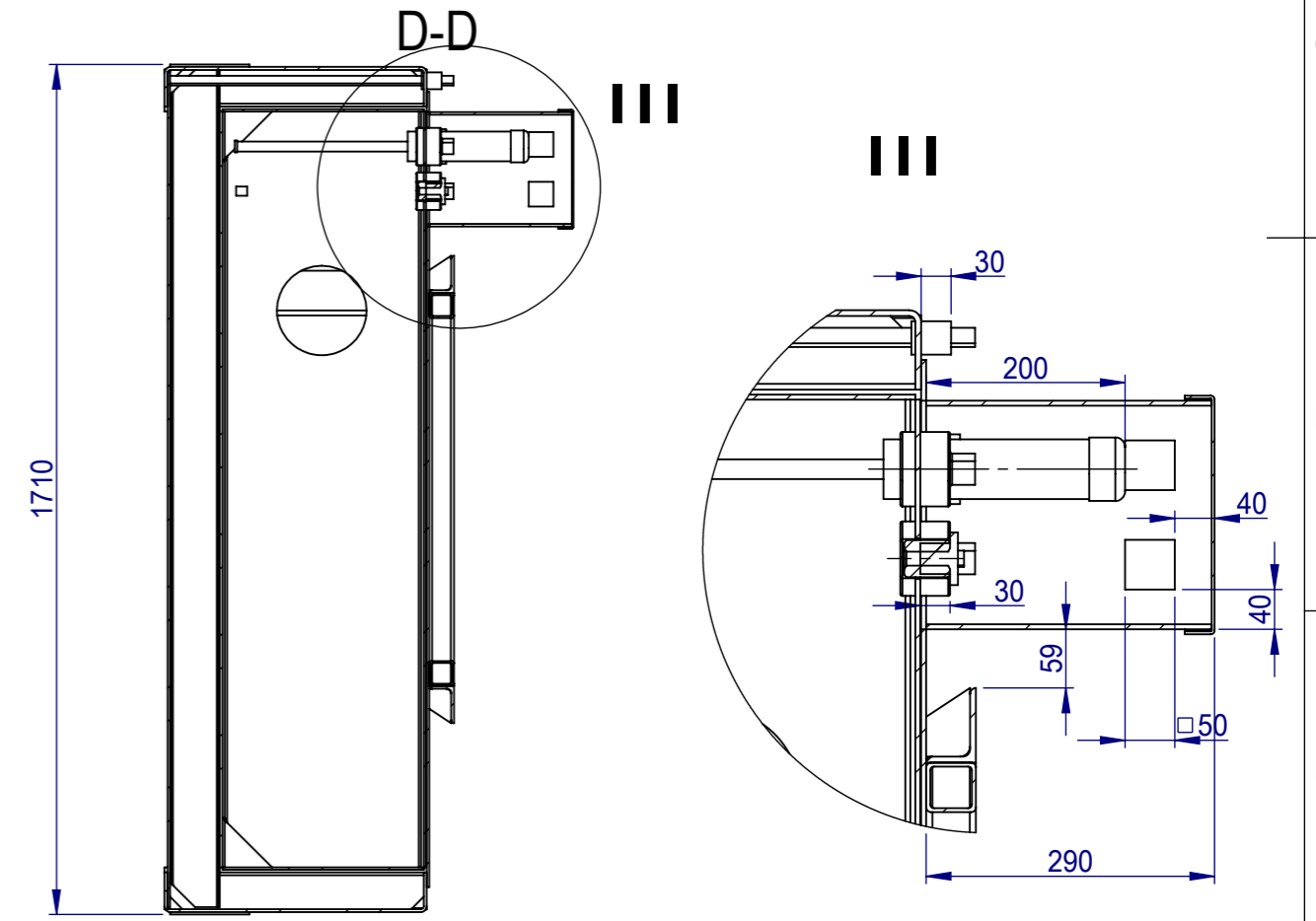
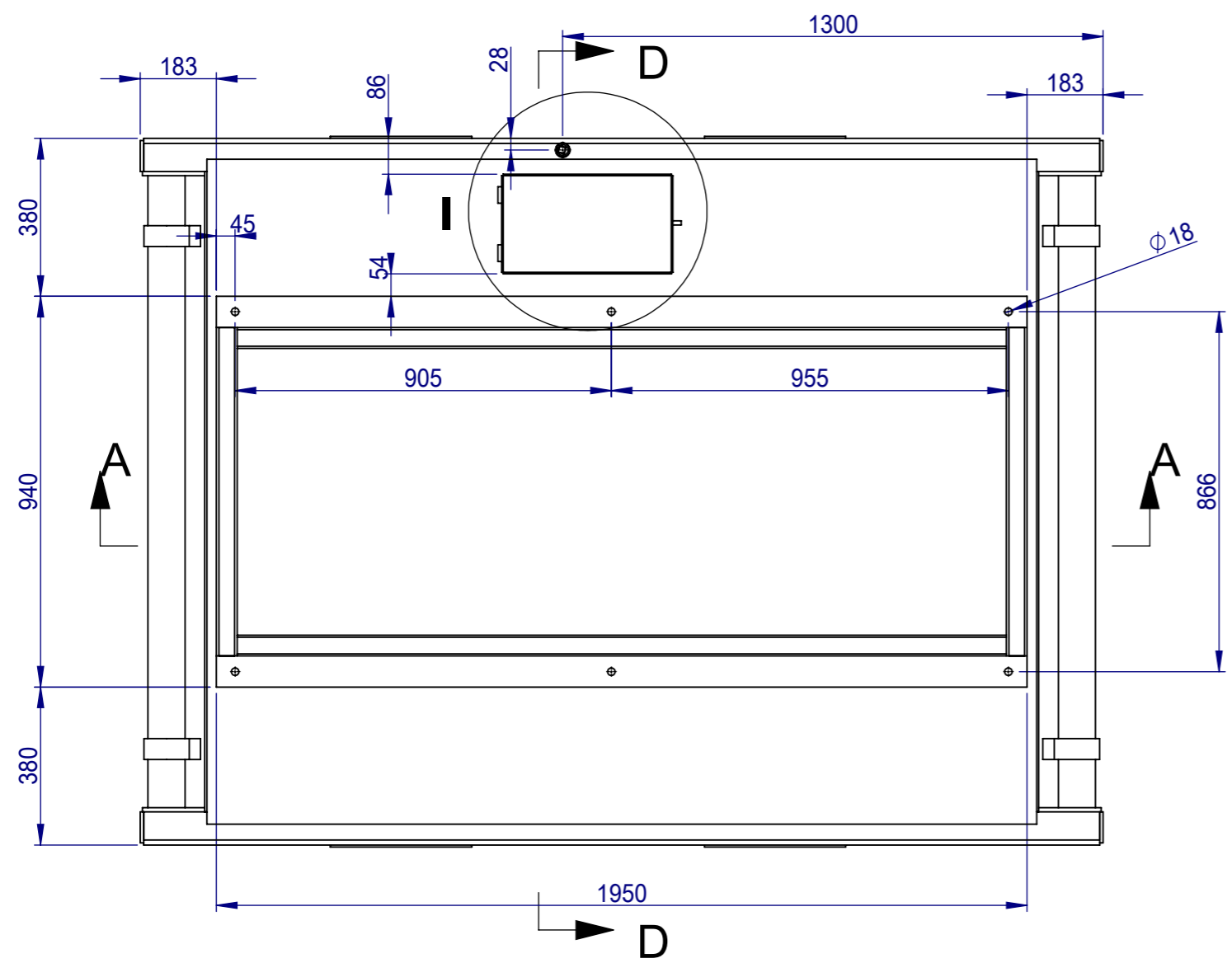
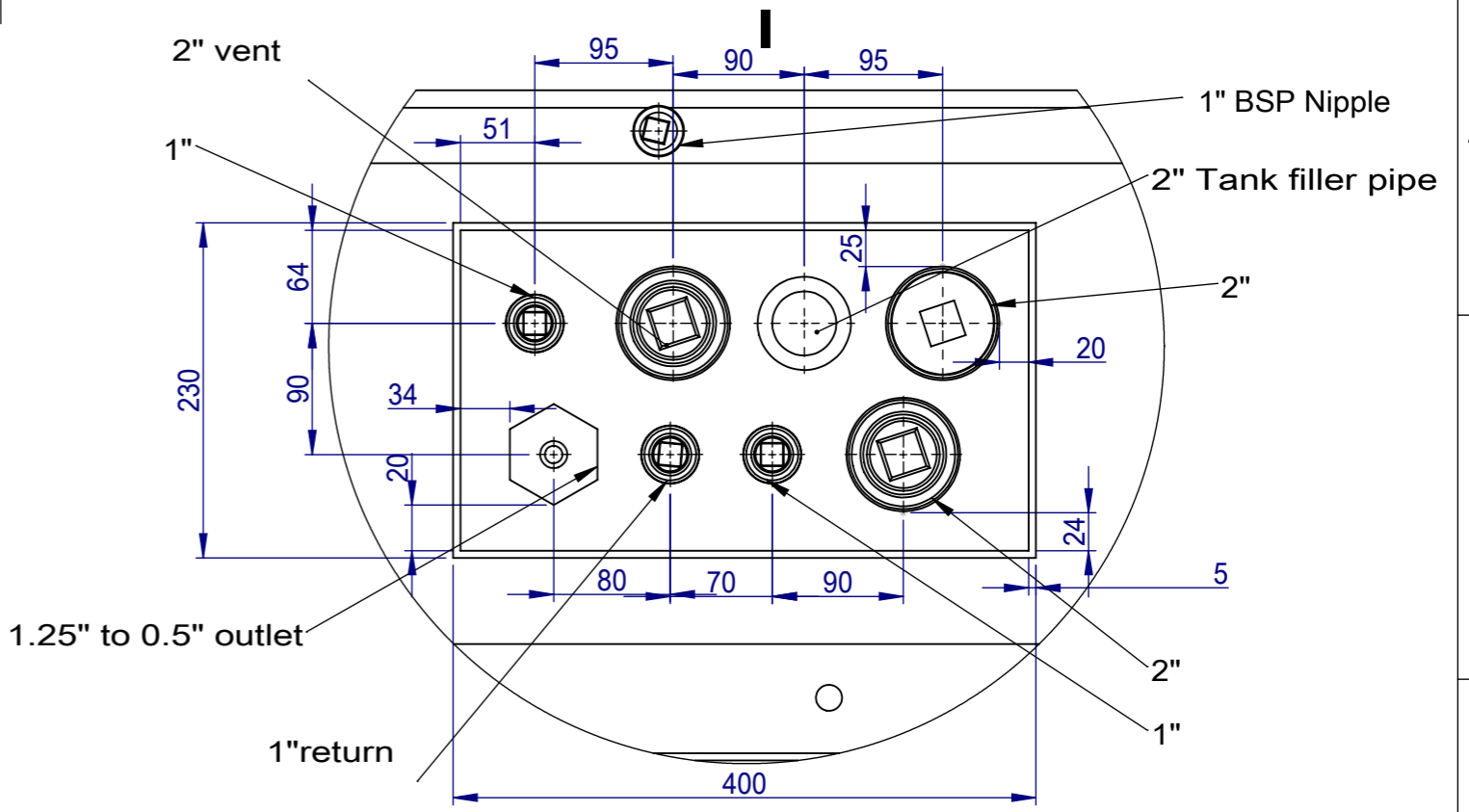
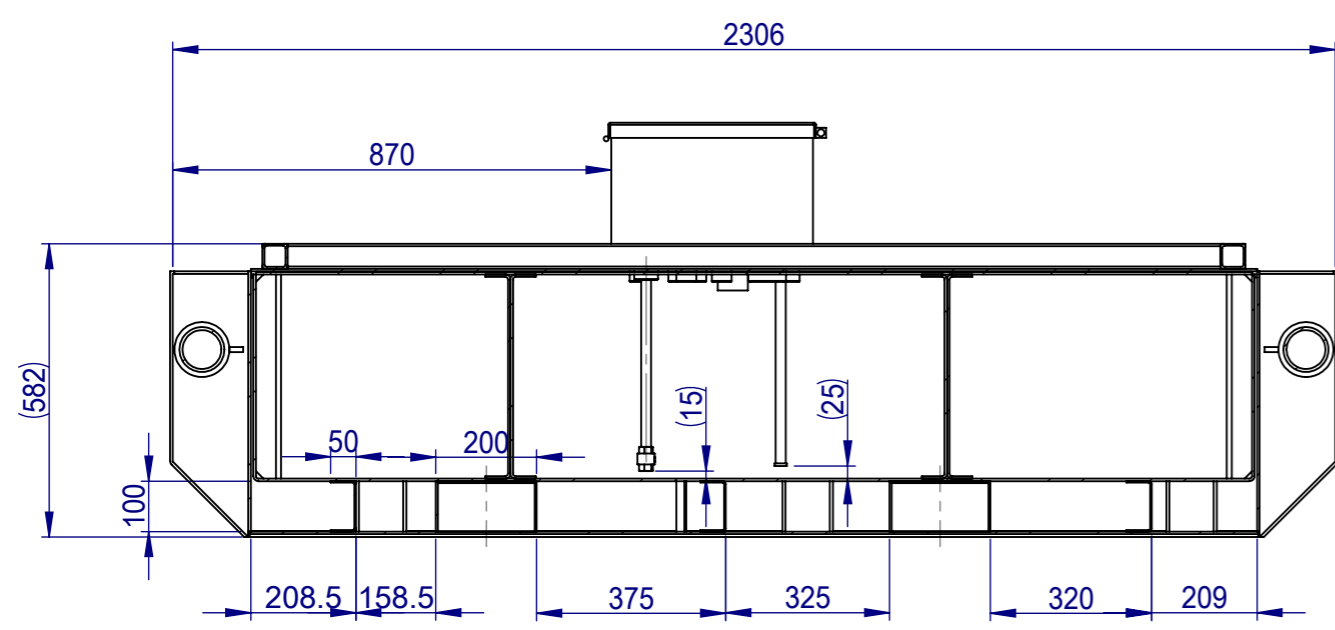



1			1
2			1
3			1
4			1
5			1
6			1
7			1

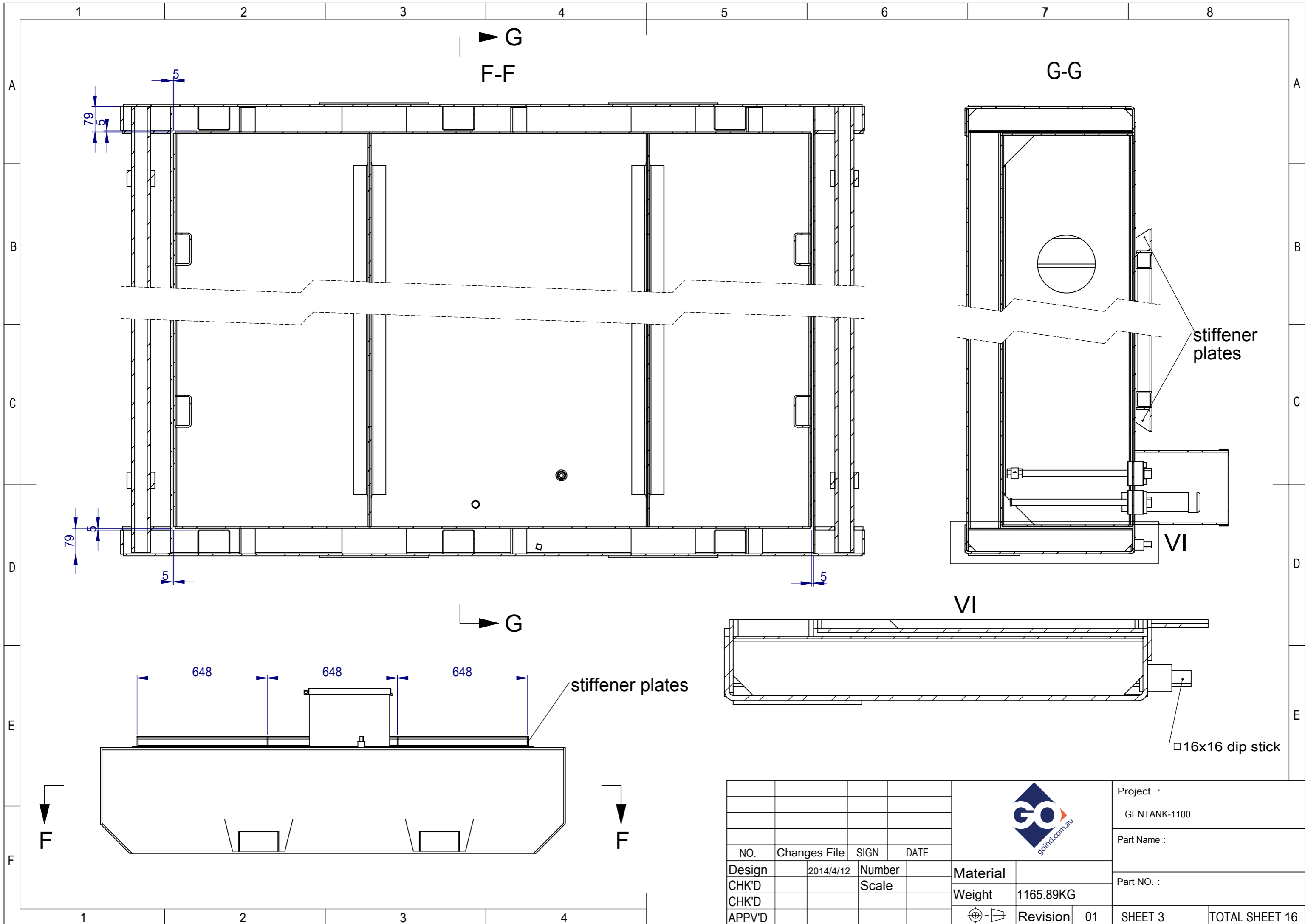



						Project : GENTANK-1100	
						Part Name :	
						Part NO. :	
NO.	Changes File	SIGN	DATE	Material			
Design	2014/4/12	Number		Weight	1165.89KG		
CHK'D		Scale					
CHK'D							
APPV'D				Revision	01	SHEET 1	TOTAL SHEET 16

A-A



						Project :	
						GENTANK-1100	
						Part Name :	
						Part NO. :	
NO.	Changes File	SIGN	DATE	Material			
Design	2014/4/12	Number		Weight	1165.89KG		
CHK'D		Scale		Revision	01	SHEET 2	
APPV'D						TOTAL SHEET 16	



						Project :	
						GENTANK-1100	
						Part Name :	
						Part NO. :	
NO.	Changes	File	SIGN	DATE	Material		
Design		2014/4/12	Number		Weight	1165.89KG	
CHK'D			Scale		⊕	Revision	01
CHK'D						SHEET 3	
APPV'D						TOTAL SHEET 16	