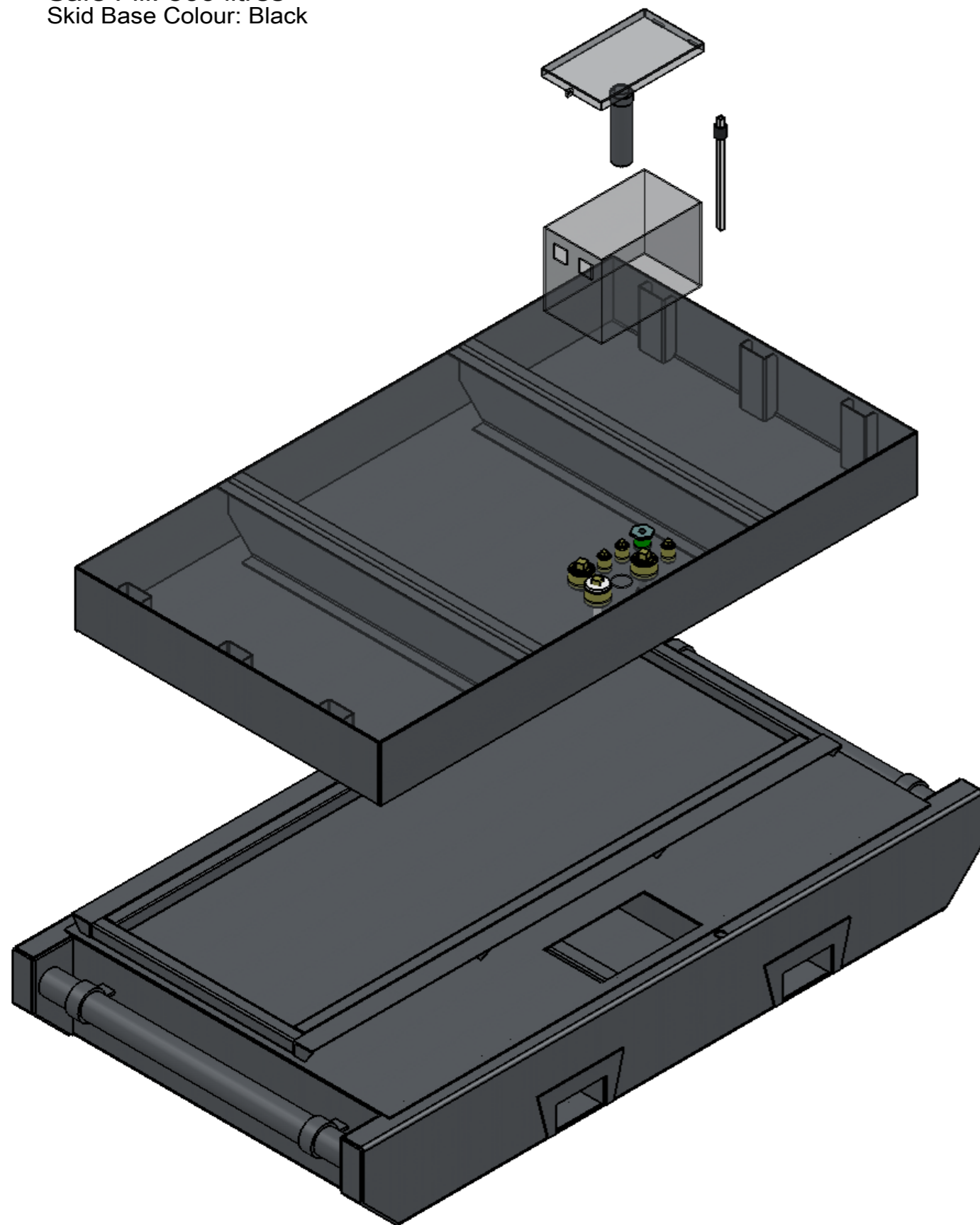
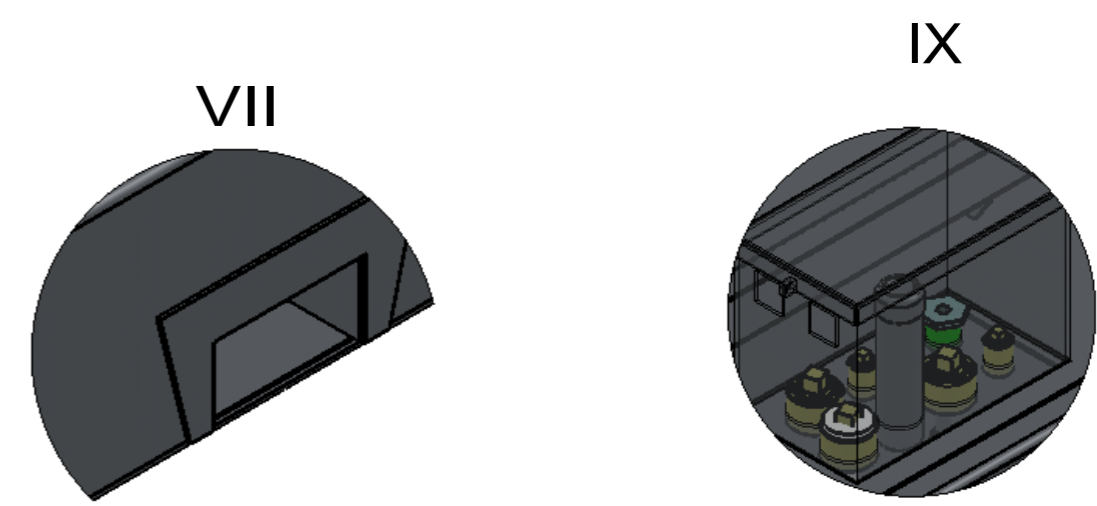
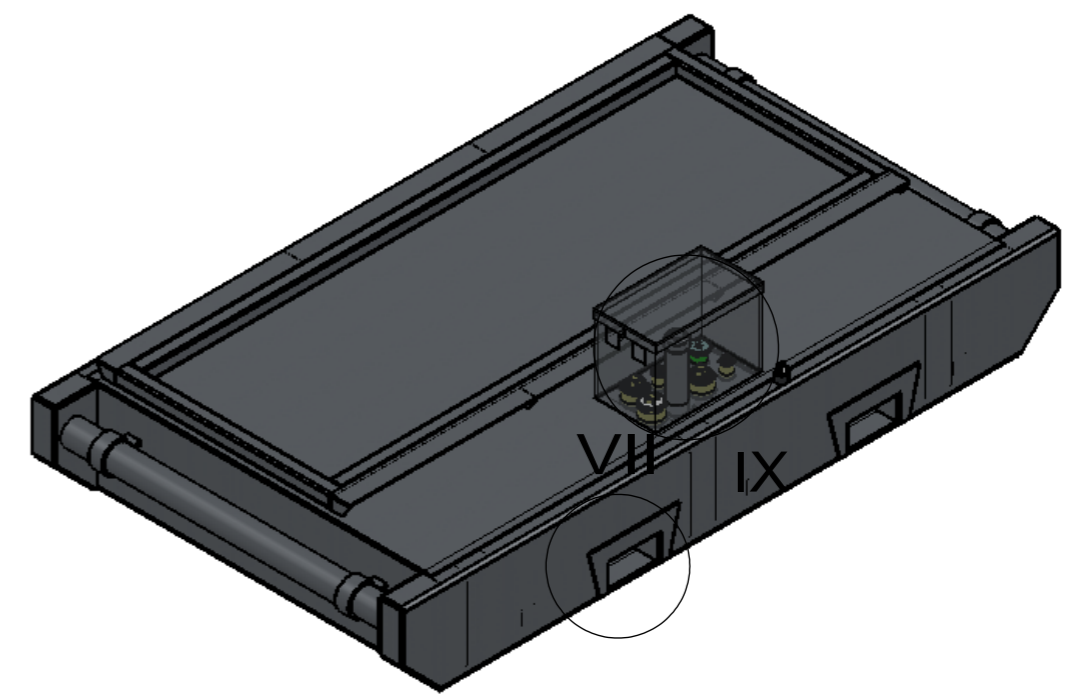


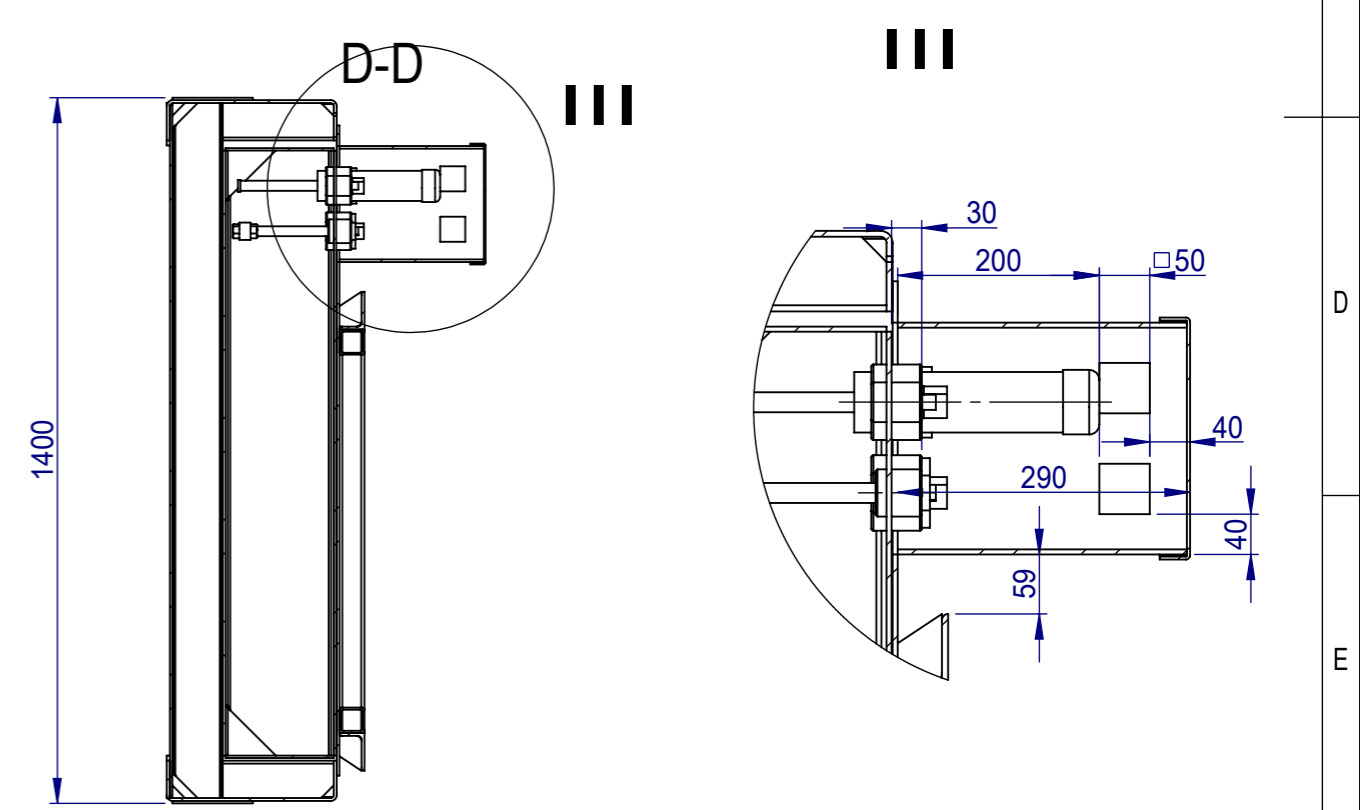
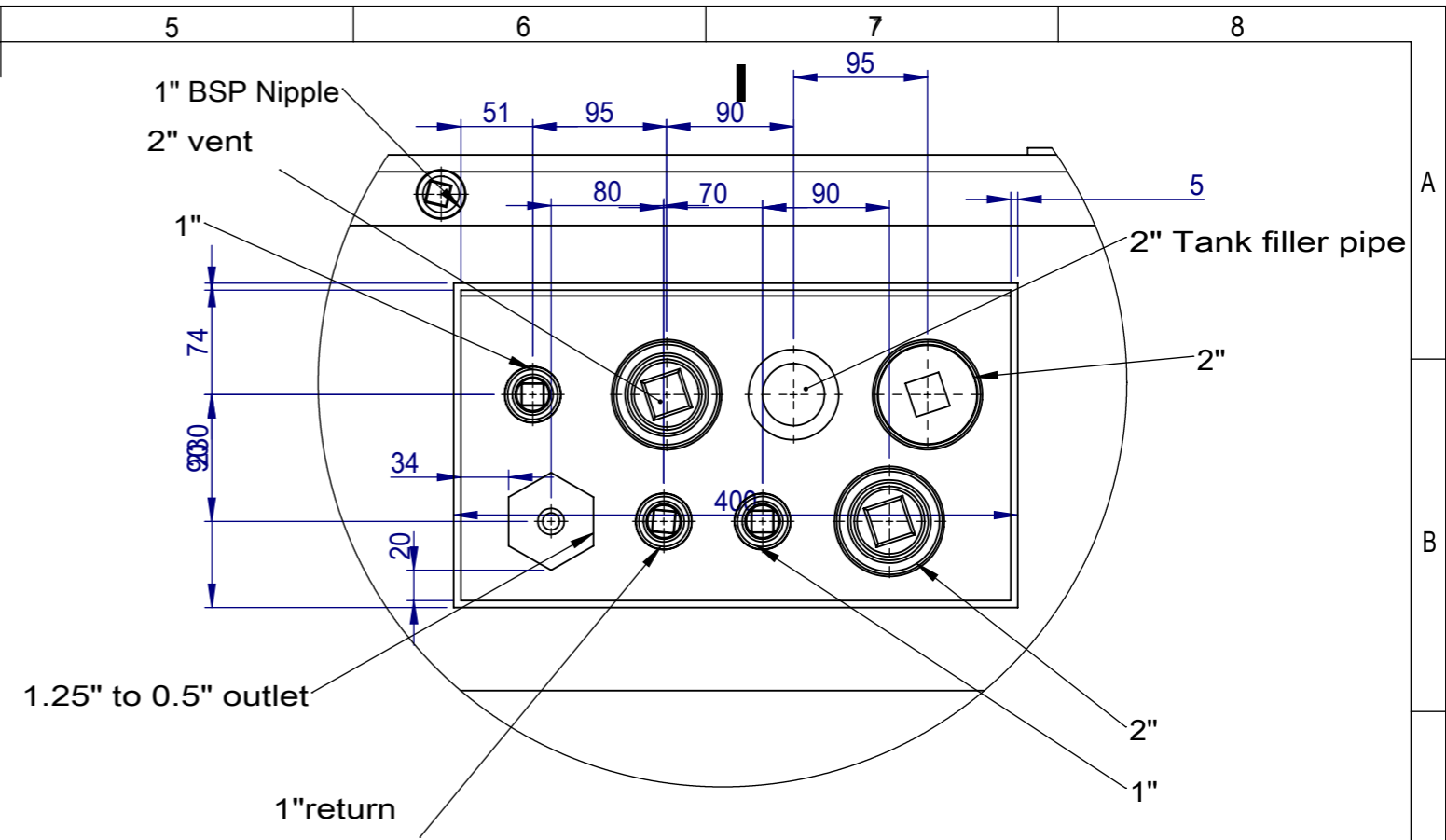
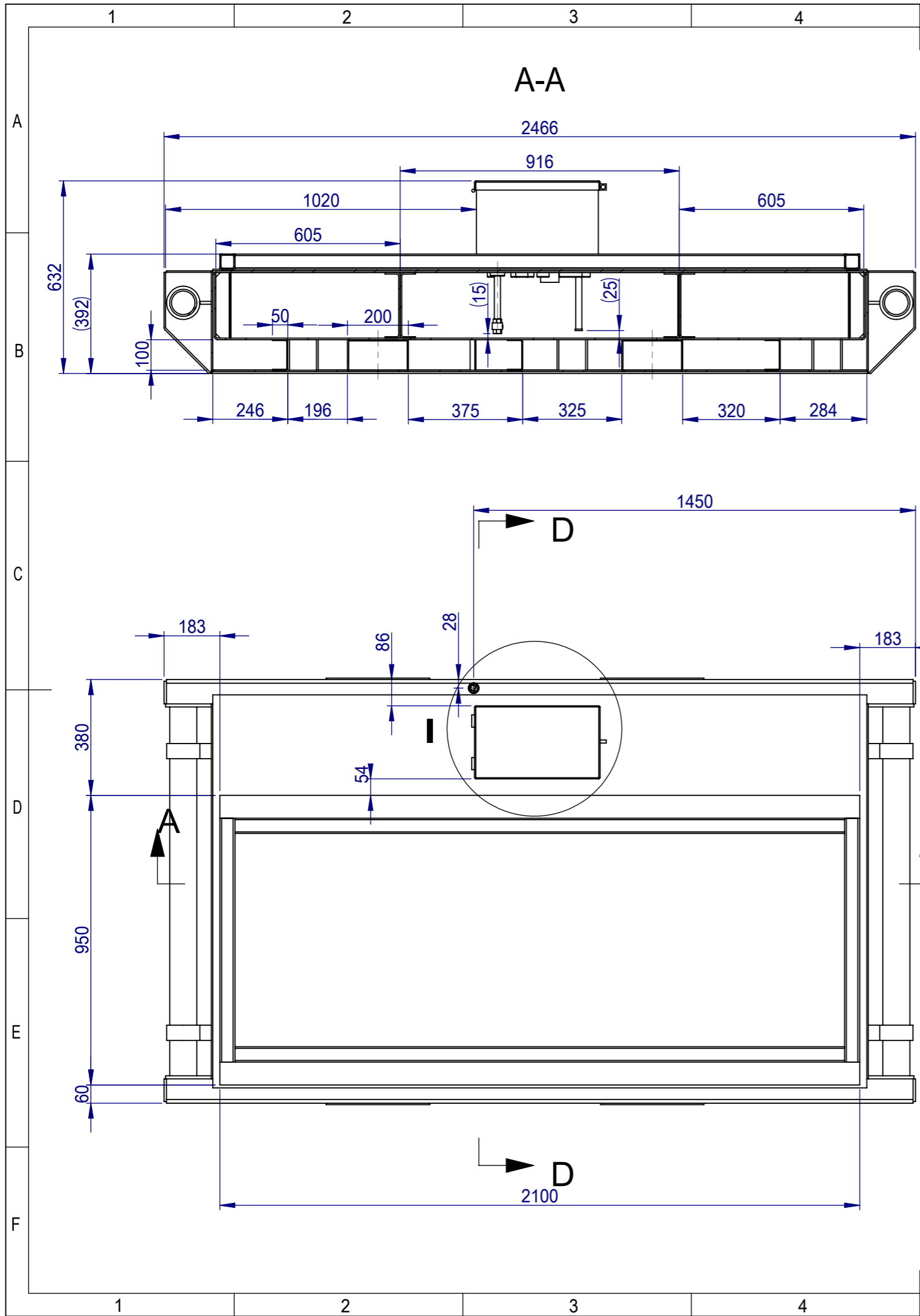
Tank Dimensions: 2466mm L x 1400mm W x 632mm H
 Safe Fill: 500 litres
 Skid Base Colour: Black



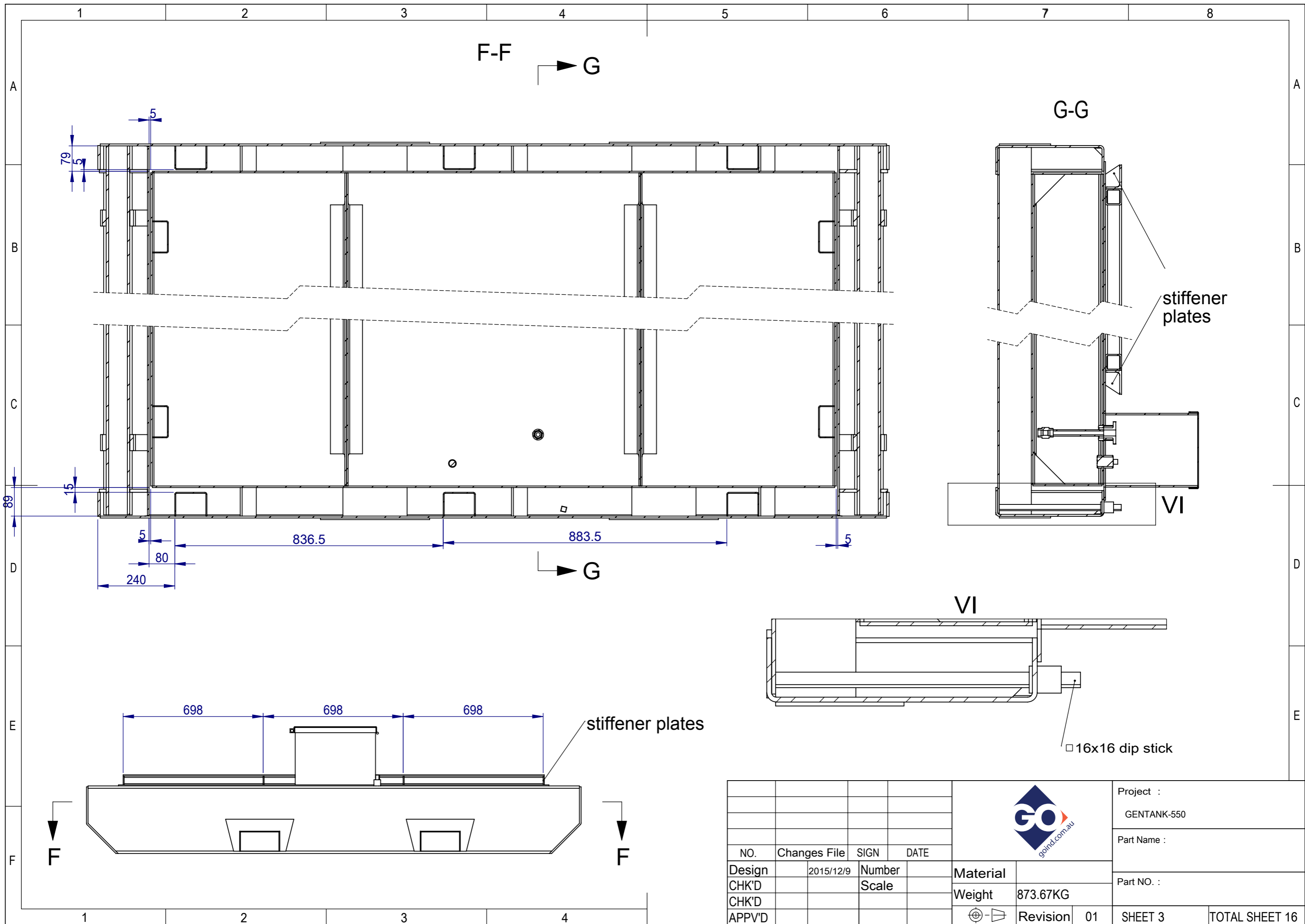
1							1
2							1
3							1
4							1
5							1
6							1
7							1




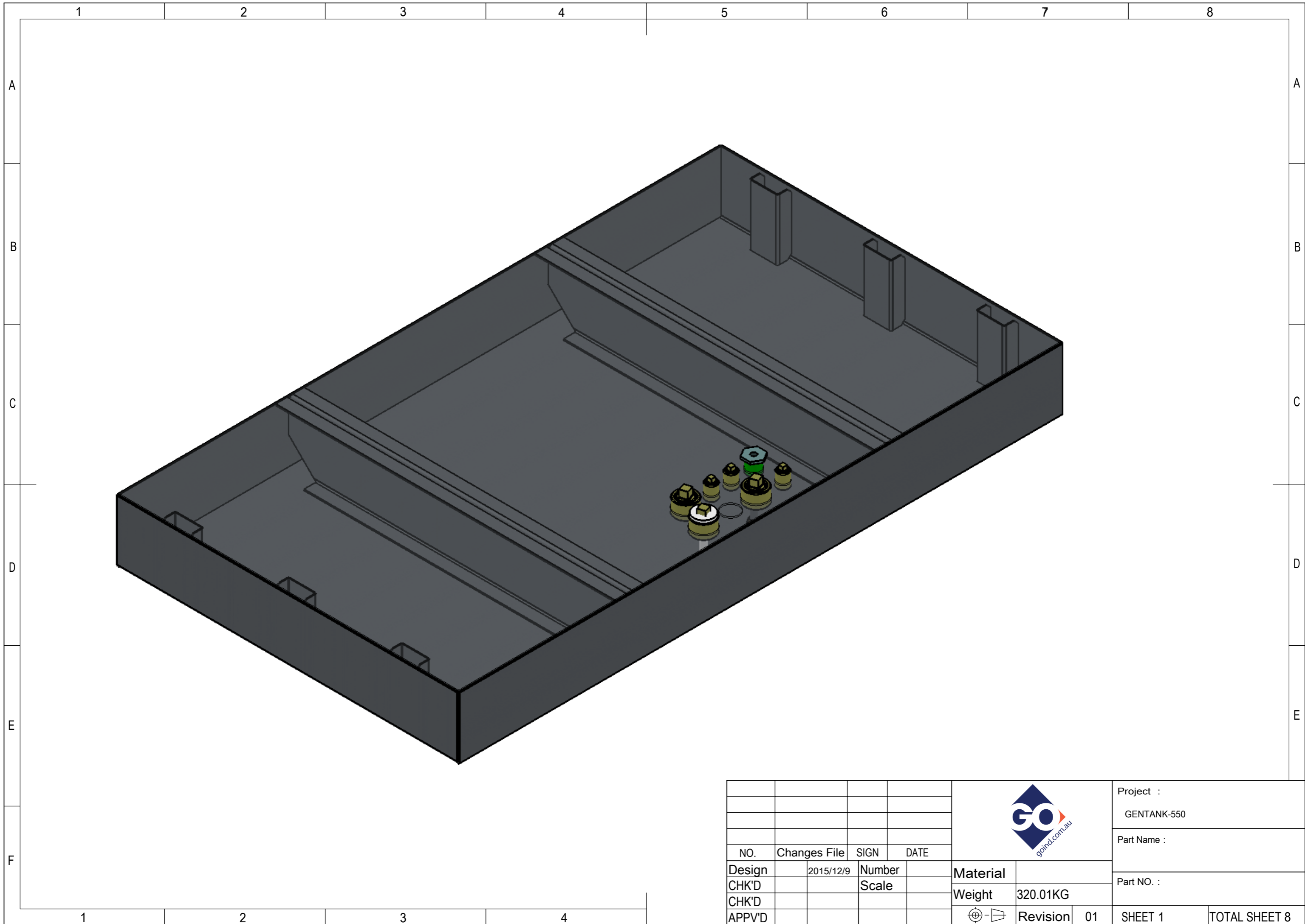
						Project :	
						GENTANK-550	
						Part Name :	
						Part NO. :	
NO.	Changes File	SIGN	DATE	Material			
Design	2015/12/9	Number		Weight	873.67KG		
CHK'D		Scale					
CHK'D							
APPV'D				 Revision 01	SHEET 1	TOTAL SHEET 16	



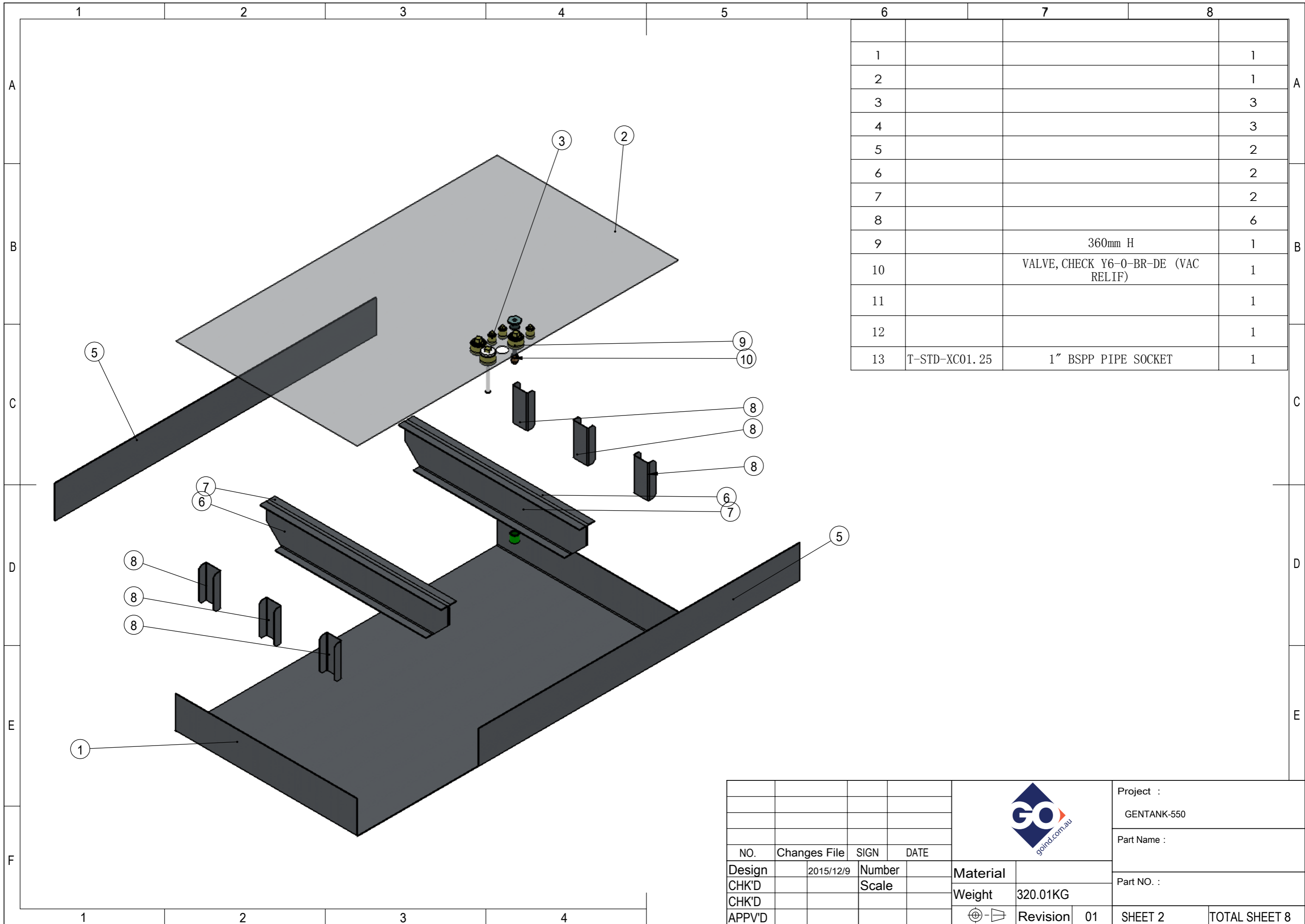
						Project :	
						GENTANK-550	
						Part Name :	
						Part NO. :	
NO.	Changes File	SIGN	DATE	Material			
Design	2015/12/9			Weight		873.67KG	
CHK'D				Revision		01	
CHK'D				SHEET 2		TOTAL SHEET 16	
APPV'D							



						Project :	
						GENTANK-550	
						Part Name :	
						Part NO. :	
NO.	Changes	File	SIGN	DATE	Material		
Design		2015/12/9	Number		Weight	873.67KG	
CHK'D			Scale		⊕	Revision	01
CHK'D						SHEET 3	
APPV'D						TOTAL SHEET 16	



						Project :	
						GENTANK-550	
						Part Name :	
						Part NO. :	
NO.	Changes File	SIGN	DATE	Material			
Design	2015/12/9	Number		Weight	320.01KG		
CHK'D		Scale			Revision	01	SHEET 1
CHK'D					TOTAL SHEET 8		
APPV'D							



NO.	Changes File	SIGN	DATE	Material	Weight	Revision	Part NO. :
1							1
2							1
3							3
4							3
5							2
6							2
7							2
8							6
9				360mm H			1
10				VALVE, CHECK Y6-0-BR-DE (VAC RELIF)			1
11							1
12							1
13	T-STD-XC01.25			1" BSPP PIPE SOCKET			1

NO.	Changes File	SIGN	DATE	Material	Weight	Revision	Part NO. :
Design	2015/12/9						
CHK'D					320.01KG		
CHK'D							
APPV'D							

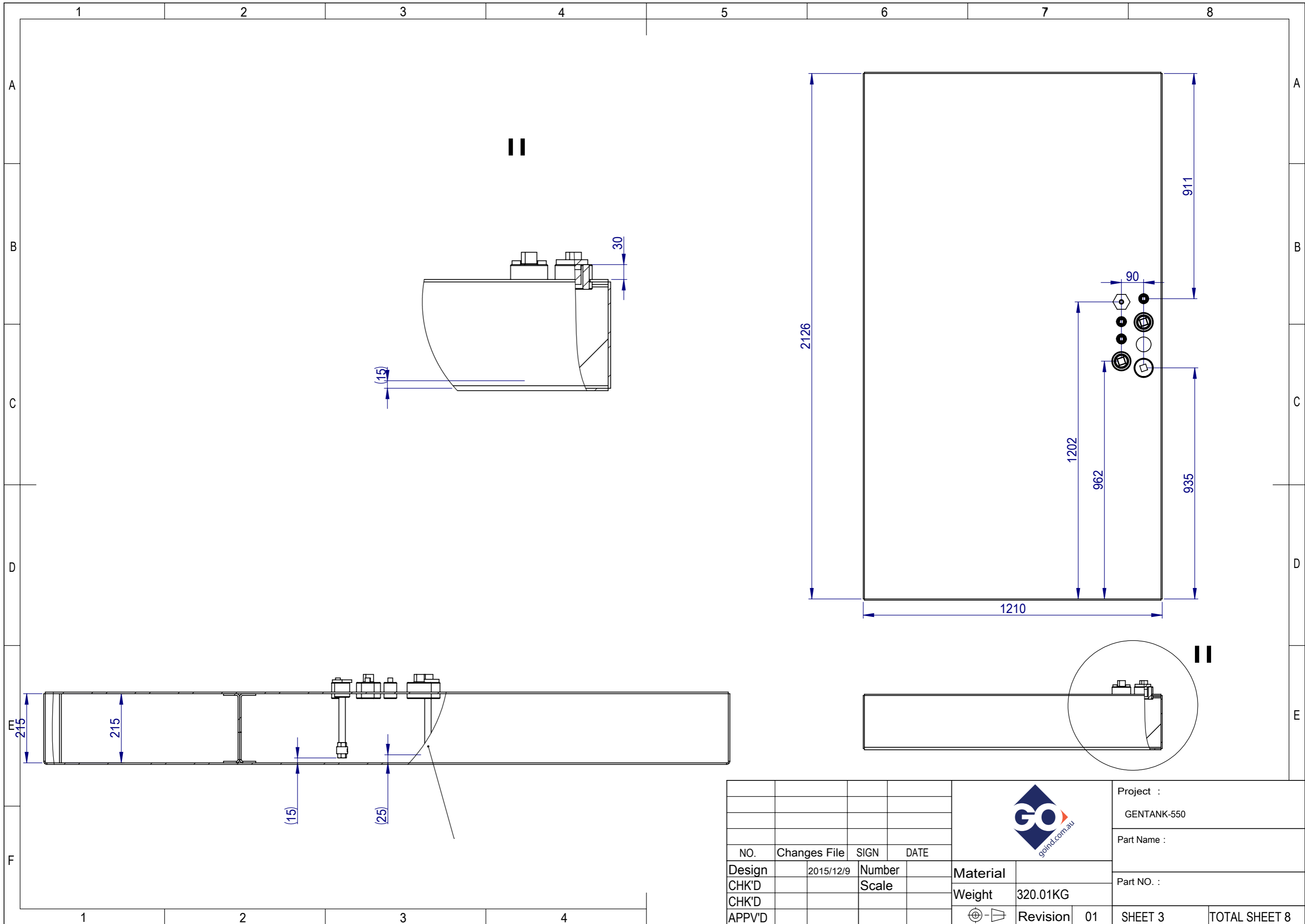



Project :
GENTANK-550

Part Name :

Part NO. :

⊕ - ▸
Revision 01
SHEET 2
TOTAL SHEET 8



						Project :	
						GENTANK-550	
						Part Name :	
						Part NO. :	
NO.	Changes File	SIGN	DATE	Material			
Design	2015/12/9	Number		Weight	320.01KG		
CHK'D		Scale		Revision	01	SHEET 3	
CHK'D						TOTAL SHEET 8	
APPV'D							