

Pressure Washers

3A6588C

EN

For high pressure water cleaning. For professional use only.

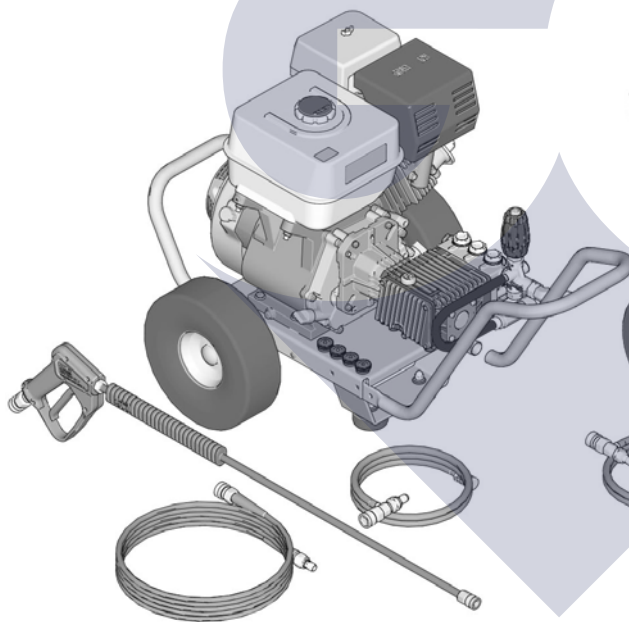
See page 3 for model information and maximum working pressure.



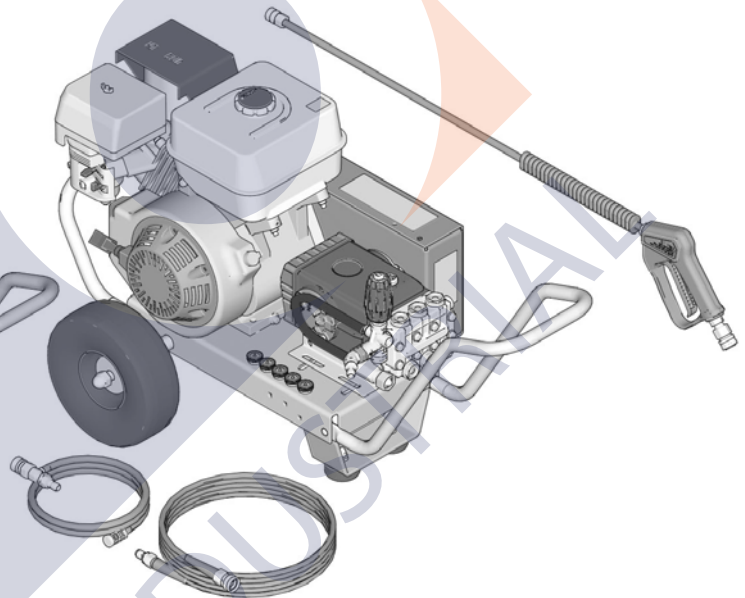
Important Safety Instructions

Read all warnings and instructions in this manual and in gas engine manual before using the equipment. Save these instructions.

Direct-Drive Models



Belt-Drive Models



1135057a

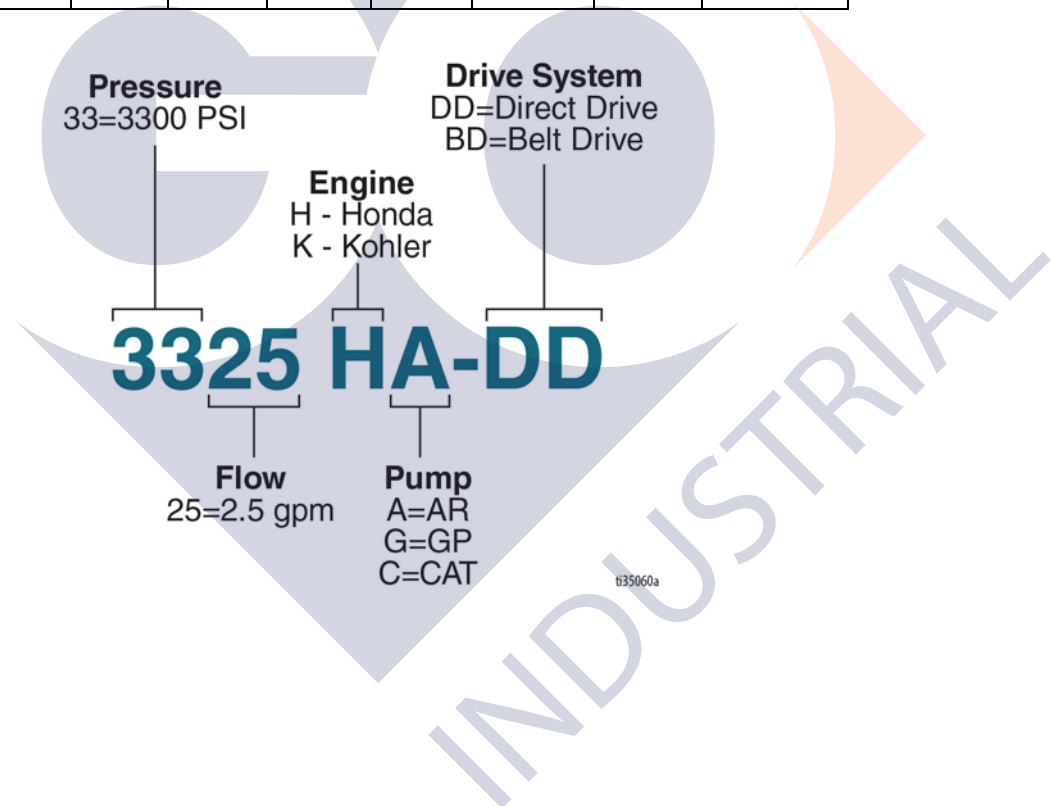


Contents

| | | | |
|--|-----------|---|-----------|
| Models | 3 | Troubleshooting | 18 |
| Safety Symbol Table | 4 | Parts - Direct-Drive | 20 |
| Warnings | 5 | Models 25N634, 25N635, 25N636, 25N637, | |
| Component Identification | 8 | 25N638, 25N639, 25N640, 25N641, 25N677, | |
| Direct-Drive Models | 8 | 25N678, 25N681, 25N682 | 20 |
| Component Identification | 9 | Parts List - Direct-Drive | 21 |
| Belt-Drive Models | 9 | Models 25N634, 25N635, 25N636, 25N637, | |
| Pressure Relief Procedure | 10 | 25N638, 25N639, 25N640, 25N641, 25N677, | |
| Before Starting the Machine | 11 | 25N678, 25N681, 25N682 | 21 |
| Personal Protective Equipment | 11 | Parts List - Pump 17Z102, 17Z103, 17Z104 | 22 |
| Equipment Placement | 11 | Models 25N634, 25N635, 25N636, 25N637, | |
| Water Pump Oil | 11 | 25N638, 25N639, 25N640, 25N641 | 22 |
| Engine Fuel Tank | 11 | Parts List | 22 |
| Setup | 12 | Parts - Pump 127385 | 23 |
| Connect Water Supply | 12 | Models 25N677, 25N681 | 23 |
| Connect the hoses | 12 | Parts - Pump 127383 | 24 |
| Priming the Pump | 12 | Models 25N678, 25N682 | 24 |
| Nozzle Selection | 13 | Parts List | 24 |
| Nozzle Connection | 13 | Parts - Belt-Drive | 25 |
| Starting the Washer | 14 | Models 25N679, 25N683, 25N680, 25N684 ... | 25 |
| Unloader | 14 | Parts List - Belt-Drive | 26 |
| Cleaning with Detergents | 15 | Models 25N679, 25N683, 25N680, 25N684 ... | 26 |
| Shutdown | 15 | Parts - Pump 127384 | 27 |
| Storage | 16 | Models 25N679, 25N683 | 27 |
| Winterizing | 16 | Parts List | 27 |
| Maintenance | 17 | Parts - Pump 127382 | 28 |
| Engine | 17 | Models 25N680, 25N684 | 28 |
| Pump | 17 | Parts List | 28 |
| Nozzles | 17 | Technical Specifications | 29 |
| Quick Couplers | 17 | CALIFORNIA PROPOSITION 65 | 32 |
| Belt Tension Adjustment | 17 | Graco Standard Warranty | 33 |
| | | Graco Information | 33 |











Models

| Part No. | Model | Operating Pressure | | | Flow | Engine | Pump | Drive System |
|----------|------------|--------------------|------|-----|------|--------|------|--------------|
| | | PSI | MPa | Bar | GPM | | | |
| 25N634 | 3325 HA-DD | 3300 | 22.7 | 227 | 2.5 | Honda | AR | Direct Drive |
| 25N638 | | | | | | | | |
| 25N635 | 3230 HA-DD | 3200 | 22.1 | 221 | 3.0 | Honda | AR | Direct Drive |
| 25N639 | | | | | | | | |
| 25N636 | 4240 KA-DD | 4200 | 29 | 290 | 4.0 | Kohler | AR | Direct Drive |
| 25N640 | | | | | | | | |
| 25N637 | 4240 HA-DD | 4200 | 29 | 290 | 4.0 | Honda | AR | Direct Drive |
| 25N641 | | | | | | | | |
| 25N677 | 4040 HG-DD | 4000 | 27.6 | 276 | 4.0 | Honda | GP | Direct Drive |
| 25N681 | | | | | | | | |
| 25N678 | 4040 HC-DD | 4000 | 27.6 | 276 | 4.0 | Honda | CAT | Direct Drive |
| 25N682 | | | | | | | | |
| 25N679 | 4040 HG-BD | 4000 | 27.6 | 276 | 4.0 | Honda | GP | Belt Drive |
| 25N683 | | | | | | | | |
| 25N680 | 4040 HC-BD | 4000 | 27.6 | 276 | 4.0 | Honda | CAT | Belt Drive |
| 25N684 | | | | | | | | |



Safety Symbol Table










The following safety symbols appear throughout this manual and on warning labels. Read the table below to understand what each symbol means.

| Symbol | Meaning |
|---|---------------------------|
|  | Burn Hazard |
|  | Moving Parts Pinch |
|  | Electric Shock Hazard |
|  | Fall Hazard |
|  | Fire and Explosion Hazard |
|  | Entanglement Hazard |
|  | Recoil Hazard |
|  | Skin Injection Hazard |
|  | Splash Hazard |
|  | Fire Hazard |

| Symbol | Meaning |
|---|---------------------------------------|
|  | Do Not Overfill Gas Tank |
|  | Toxic Fluid or Carbon Monoxide Hazard |
|  | Do Not Stop Leaks or Deflect Leaks |
|  | Do Not Spray People or Animals |
|  | Eliminate Ignition Sources |
|  | Hold Firmly With Both Hands |
|  | Perform Pressure Relief Procedure |
|  | Read Manual Before Using Equipment |
|  | Wear Personal Protective Equipment |
|  | Equipment Misuse Hazard |




Warnings

The following warnings are for the setup, use, maintenance, and repair of this equipment. The exclamation point symbol alerts you to a general warning and the hazard symbols refer to procedure-specific risks. When these symbols appear in the body of this manual or on warning labels, refer back to these Warnings. Product-specific hazard symbols and warnings not covered in this section may appear throughout the body of this manual where applicable.

|  <h2 style="margin: 0;">WARNING</h2> | |
|--|--|
|  | <p>CARBON MONOXIDE HAZARD Exhaust contains poisonous carbon monoxide, which is colorless and odorless. Breathing carbon monoxide can cause death.</p> <ul style="list-style-type: none"> Do not operate internal combustion engine in an enclosed area. Ensure that any exhaust emissions are not in the vicinity of any air intakes. |
|   | <p>RECOIL HAZARD Gun may recoil when triggered. If you are not standing securely, you could fall and be seriously injured.</p> <ul style="list-style-type: none"> Hold onto gun/wand firmly with both hands to avoid kickbacks. |
|  | <p>FALL HAZARD Use of this equipment can create puddles and slippery surfaces. High pressure spray could cause you to fall if you are too close to the cleaning surface.</p> <ul style="list-style-type: none"> Keep spray nozzle between 8 to 24 inches (20 to 60 cm) away from cleaning surface. Always operate equipment on a stable surface. Cleaning area should have adequate slopes and drainage to reduce possibility of falls due to slippery surfaces. Be extremely careful if you must operate equipment from ladder, scaffolding, or any other relatively unstable location. |
|     | <p>FIRE AND EXPLOSION HAZARD Flammable vapors in the work area and can ignite or explode. To help prevent fire and explosion:</p> <ul style="list-style-type: none"> Do not spray flammable liquids. Operate pressure washers outdoors only. Eliminate all ignition sources; such as pilot lights, cigarettes, portable electric lamps, and plastic drop cloths (potential static arc). When transporting or repairing equipment, transport or repair with the fuel tank empty or with fuel shutoff valve turned off. Do not fill fuel tank while engine is running or hot; shut off engine and let it cool. Leave 5/8 inch (16 mm) at top of tank for fuel expansion. Fuel is flammable and can ignite or explode if spilled on hot surface. Keep work area free of debris, including solvent, rags and gasoline. |

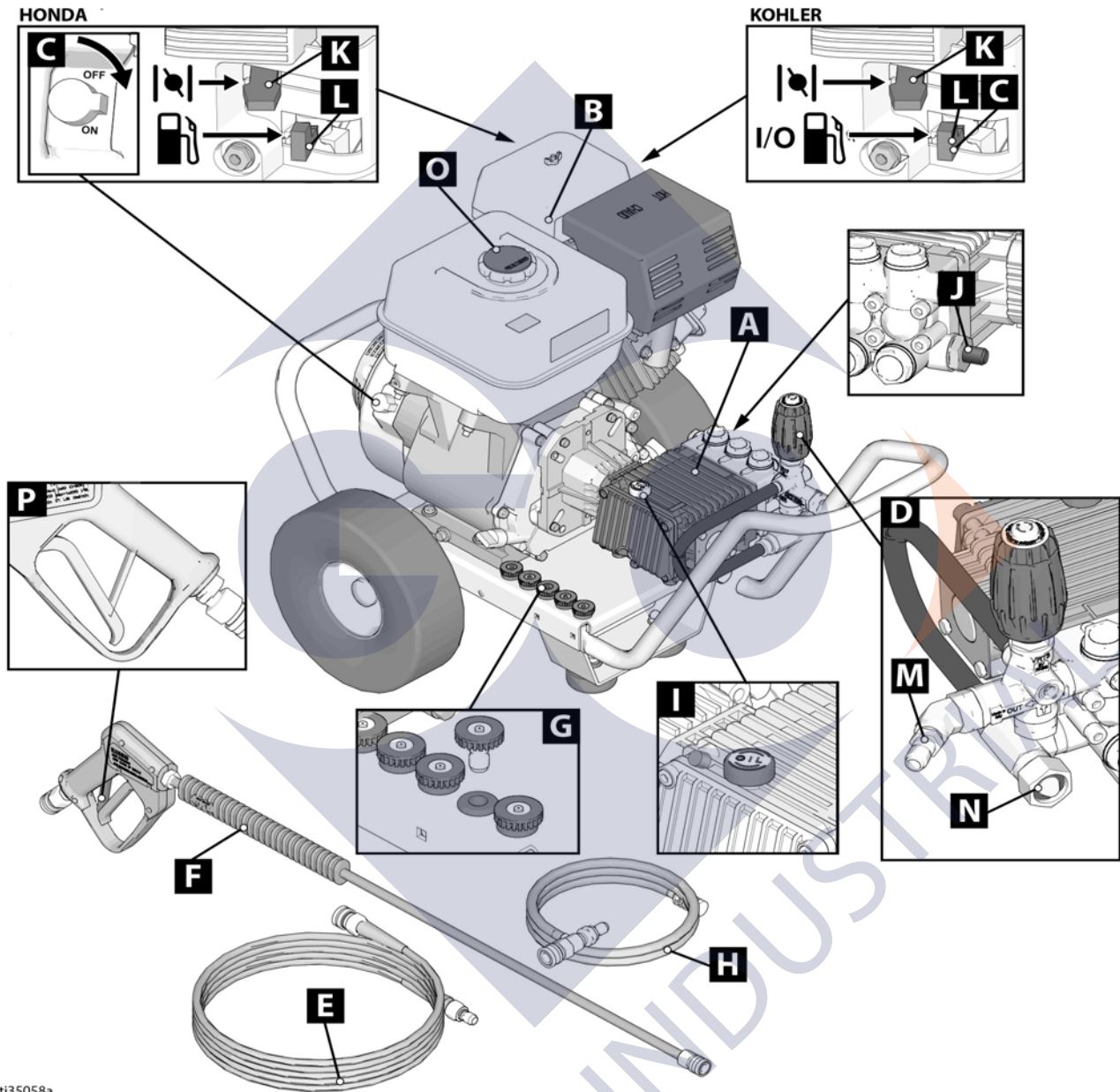
|  WARNING | |
|--|--|
|  | <p>ELECTRIC SHOCK HAZARD Spray contact with electrical wiring can result in serious injury or death.</p> <ul style="list-style-type: none"> • Keep water spray away from electric wiring. |
|     | <p>SKIN INJECTION HAZARD High-pressure spray is able to inject toxins into the body and cause serious bodily injury. In the event that injection occurs, get immediate surgical treatment.</p> <ul style="list-style-type: none"> • Keep clear of nozzle. Do not spray any person, yourself or any animal. • Keep hands and other body parts away from the discharge. Do not try to stop leaks with any part of the body. • This product is to be used only by trained operators. • Use caution when cleaning and changing nozzle tips. In the case where the nozzle tip clogs while spraying, follow the Pressure Relief Procedure for turning off the unit and relieving the pressure before removing the nozzle tip to clean. • Do not leave the unit energized or under pressure while unattended. When the unit is not in use, turn off the unit and follow the Pressure Relief Procedure for turning off the unit. • Check hoses and parts for signs of damage. Replace any damaged hoses or parts. • Use Graco replacement parts or accessories that are approved for the rated pressure of the pressure washer. • Always engage the trigger lock when not spraying. Verify the trigger lock is functioning properly. • Verify that all connections are secure before operating the unit. • Know how to stop the unit and bleed pressure quickly. Be thoroughly familiar with the controls. |
|  | <p>BURN HAZARD Running engines produce heat and hot exhaust gases. Temperature of muffler and nearby areas can reach or exceed 150° F (65° C). Fire or severe burns can occur.</p> <ul style="list-style-type: none"> • Do not touch hot surfaces. • Stay clear of exhaust gases. • Never move equipment while operating. • Allow equipment to cool before touching. |
|  | <p>ENTANGLEMENT HAZARD Rotating parts can cause serious injury.</p> <ul style="list-style-type: none"> • Keep clear of moving parts. • Do not operate equipment with protective guards or covers removed. |
|   | <p>TOXIC FLUID OR FUMES HAZARD Toxic fluids or fumes can cause serious injury or death if splashed in the eyes or on skin, inhaled, or swallowed.</p> <ul style="list-style-type: none"> • Do not use pressure washer to dispense hazardous detergents or acid-type cleaners. • Do not alter chemical injector feature that is listed in the manual. • Read Safety Data Sheets (SDSs) to know the specific hazards of the fluids you are using. • Route exhaust away from work area. |

! WARNING

| | |
|---|--|
|   | <p>EQUIPMENT MISUSE HAZARD</p> <p>Misuse can cause death or serious injury.</p> <ul style="list-style-type: none"> • Always wear appropriate gloves, eye protection, and a respirator or mask when spraying. • Do not operate or spray near children. Keep children away from equipment at all times. • Do not overreach or stand on an unstable support. Keep effective footing and balance at all times. • Stay alert and watch what you are doing. • Do not leave the unit energized or under pressure while unattended. When the unit is not in use, turn off the unit and follow the Pressure Relief Procedure for turning off the unit. • Do not operate the unit when fatigued or under the influence of drugs or alcohol. • Keep operating area clear of all persons. • Do not kink or over-bend the hose. • Do not expose the hose to temperatures or to pressures in excess of those specified by manufacturer. • Do not use the hose as a strength member to pull or lift the equipment. • Follow the maintenance instructions specified in the manual. • Do not alter or modify equipment. Alterations or modifications may void agency approvals and create safety hazards. • Make sure all equipment is rated and approved for the environment in which you are using it. |
|  | <p>PERSONAL PROTECTIVE EQUIPMENT</p> <p>Wear appropriate protective equipment when in the work area to help prevent serious injury, including eye injury, hearing loss, inhalation of toxic fumes, and burns. Protective equipment includes but is not limited to:</p> <ul style="list-style-type: none"> • Protective eyewear, and hearing protection. • Respirators, protective clothing, and gloves as recommended by the detergent manufacturer. |
| | <p>The following instructions are required by California state law, section 4442 of the California Public Resource Code. Other states may have similar laws. Federal laws apply on federal land.</p> <ul style="list-style-type: none"> • A spark arrestor must be added to the muffler of this engine if it is to be used on any forest-covered, brush-covered, or grass-covered unimproved land. • See your engine or equipment dealer for spark arrestor muffler options. |

Component Identification

Direct-Drive Models



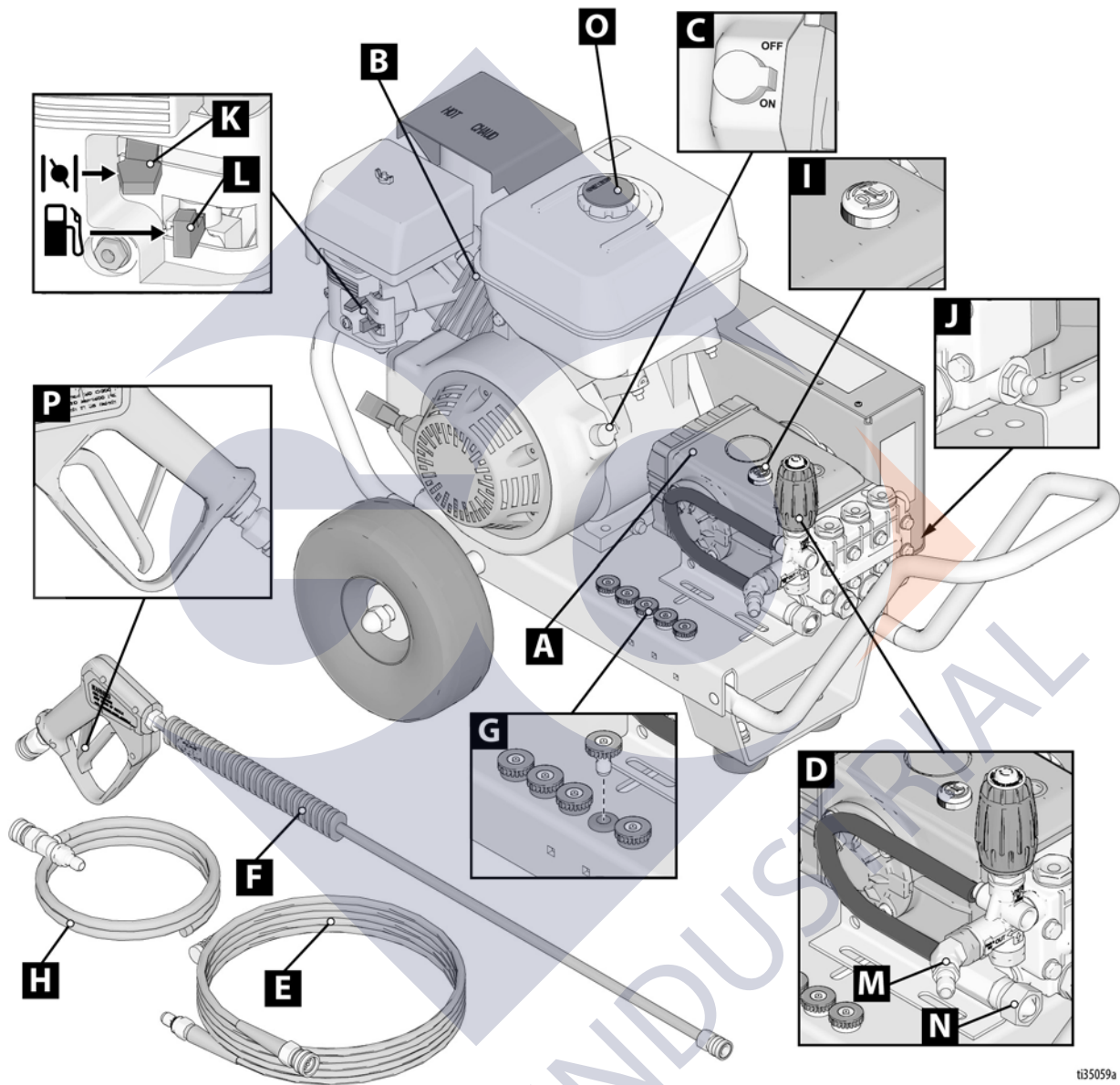
ti35058a

| | |
|---|---------------------------|
| A | Water Pump |
| B | Engine |
| C | ON/OFF Switch |
| D | Unloader |
| E | High-Pressure Washer Hose |
| F | Gun |
| G | Nozzles |
| H | Chemical Injector Hose |

| | |
|---|----------------------|
| I | Pump Oil Cap |
| J | Thermal Relief Valve |
| K | Choke |
| L | Fuel Valve |
| M | High-Pressure Outlet |
| N | Low-Pressure Inlet |
| O | Gas Cap |
| P | Trigger Lock |

Component Identification

Belt-Drive Models



ti35059a

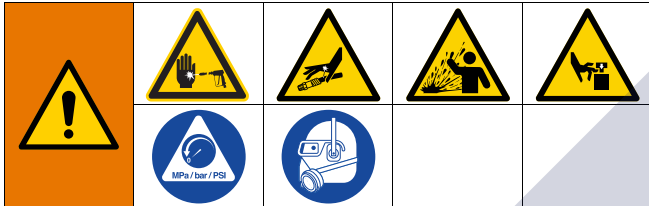
| | |
|---|---------------------------|
| A | Water Pump |
| B | Engine |
| C | ON/OFF Switch |
| D | Unloader |
| E | High-Pressure Washer Hose |
| F | Gun |
| G | Nozzles |
| H | Chemical Injector Hose |

| | |
|---|----------------------|
| I | Pump Oil Cap |
| J | Thermal Relief Valve |
| K | Choke |
| L | Fuel Valve |
| M | High-Pressure Outlet |
| N | Low-Pressure Inlet |
| O | Gas Cap |
| P | Trigger Lock |

Pressure Relief Procedure



Follow the Pressure Relief Procedure whenever you see this symbol.



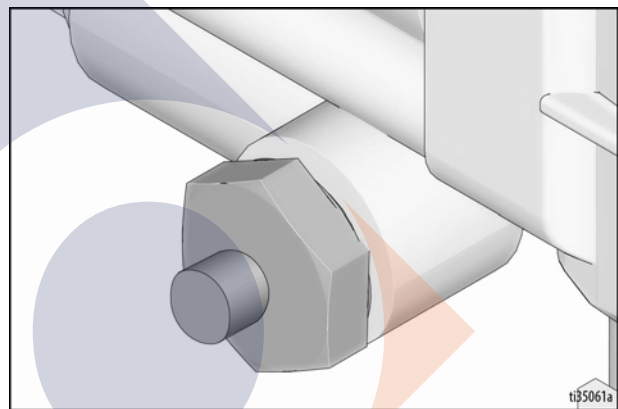
This equipment stays pressurized until pressure is manually relieved. To help prevent serious injury from pressurized fluid, such as skin injection, splashing fluid and moving parts, follow the Pressure Relief Procedure when you stop spraying and before cleaning, checking, or servicing the equipment.

1. Engage trigger lock.
2. Turn unit off.
3. Shut off water supply. Disconnect from water.
4. Disengage trigger lock.
5. Trigger gun to relieve pressure.
6. Engage trigger lock.
7. If you suspect the nozzle or hose is clogged or that pressure has not been fully relieved:
 - a. **VERY SLOWLY** disconnect the hose from the washer to relieve pressure.
 - b. Disconnect hose, gun, and nozzle completely.
 - c. Clear the obstruction in the hose or nozzle.

Thermal Relief Valve

To ensure the water temperature does not exceed acceptable levels, never allow the unit to operate continuously in bypass mode (unit running with gun trigger closed) for more than three minutes.

All units have a thermal relief valve to protect the pump. It may begin to open and release water if the water temperature in the pump has exceeded 140°F (60°C). This will allow fresh, cool water to enter the system.



Before Starting the Machine

Personal Protective Equipment



INJECTION AND INHALATION HAZARD

Proper attire is essential to your safety. It is advised to utilize whatever means necessary to protect eyes, ears and skin. Additional safety attire (such as respiratory mask) may be required when using detergent cleaning agents with this unit.

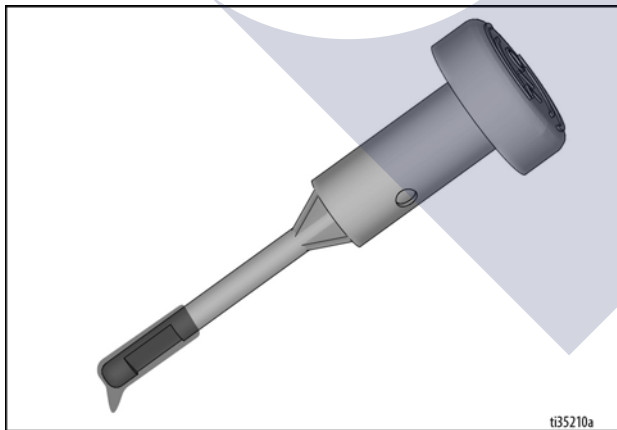
Equipment Placement

This unit should only be placed on a level surface while operating to ensure proper lubrication for the engine and water pump.

Be certain to block wheels to prevent unit from moving while operating.

Water Pump Oil

Using the oil dipstick, check the oil level to assure the oil is at the appropriate level.



Some units have an oil sight glass on the water pump. Make sure the oil is at the maximum level before each use. If the level appears to be low, add Pump Oil and fill only to the max level on the dipstick. Do not overfill.

Engine Fuel Tank



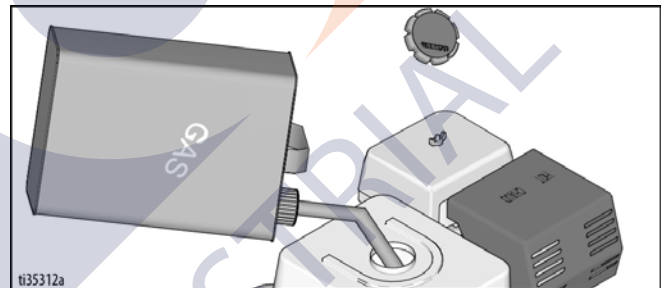
A minimum of 86 octane fuel is recommended for use with this unit. Do not mix oil with gasoline.

Purchase fuel in quantities that may be used within 30 days. Use of clean, fresh lead-free gasoline is recommended. Leaded gasoline may be used if lead-free is unavailable.



EXPLOSIVE FUEL CAN CAUSE FIRES AND SEVERE BURNS

Stop engine before filling fuel tank. Leave 5/8 inch (16mm) at top of tank for fuel expansion.



Occasional carburetor and choke adjustments will be necessary for the engine. Refer to the engine manual supplied with this unit for proper adjustment procedures.

Review the engine manual accompanying this pressure washer for correct engine start-up and maintenance procedures.

Setup

Connect Water Supply

Select a water supply hose which is a quality grade of garden hose measuring at least 3/4 in. (19.05 mm) in ID and no longer than 50 feet (15.24 m).

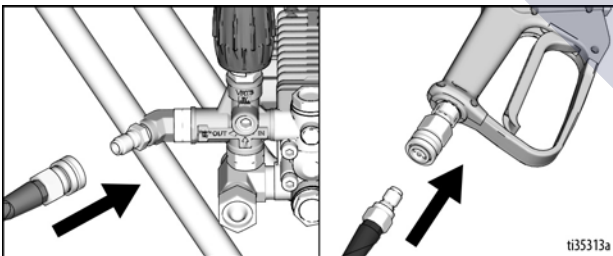
Check the water inlet strainer to make sure it is clean and free of any obstructions. Periodic cleaning of the water strainer will help prevent pump problems.

NOTICE

As a strainer becomes obstructed, it restricts proper flow of water to the pump. This can result in cavitation which will cause premature failure of pump packings.

Connect the hoses

1. Connect one end of water supply hose to water inlet of unit.
2. Connect other end of hose to pressurized water supply. When connecting water inlet to water supply, local regulations of your water company must be observed. In some areas, the unit must not be connected directly to public drinking water supply. This prevents feedback of the detergents into the water supply. Direct connection is permitted if a back flow preventer is installed.
3. Connect high pressure washer hose to water outlet of unit.
4. Connect other end of pressure washer hose to gun assembly.



Follow incoming water requirements listed below:

1. Water pressure must be a minimum of 25 psi (0.17 MPa, 1.72 bar) and a maximum of 125 psi (0.86 MPa, 8.6 bar). **NOTE:** A typical outdoor faucet will generally supply this psi if fully turned on.

2. Incoming GPM must be at least one gallon more than the outgoing GPM stated on pressure washer nameplate. **NOTE:** You can check GPM by timing how long it takes to fill a 5 gallon container.
3. Incoming water temperature must not exceed 140° F (60° C).

NOTICE

Excessive pump damage may result if the water temperature exceeds acceptable levels.

Never allow the unit to operate without the incoming water line attached and the water supply fully turned on. Damage to the equipment could occur.

Priming the Pump

It is essential to prime the pump on initial start-up and each time the water supply is disconnected from the unit after initial use.

1. Lay high pressure hose out straight to eliminate the possibility for kinks to restrict flow.

NOTE: The nozzle assembly should not be connected to the gun assembly at this time.

2. Engage trigger lock and point gun away from yourself or anyone else. Make sure water supply is fully turned on.
3. Disengage trigger lock and squeeze trigger.

NOTE: Low pressure water will begin flowing from hose/gun assembly. This allows unit to prime and purge any air from system. Unit is primed when water flow is uninterrupted by air.

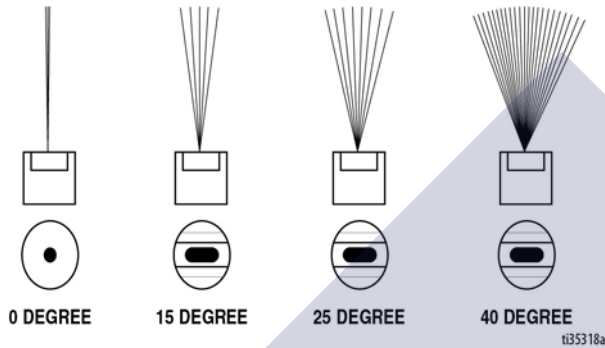
4. Once unit is primed, release trigger and engage trigger lock. Securely connect nozzle assembly. See **Nozzle Connection**, page 13.

NOTICE

Make sure the nozzle is not connected to the unit while priming the pump. Priming allows mineral deposits to be released from the system which could obstruct or damage the nozzle assembly resulting in costly repairs.

Nozzle Selection

Various nozzles may be quick-connected into the end of the wand to change the spray pattern or use the detergent feature.



0° - BLASTING

- Removing caked on mud from heavy construction, farm or lawn equipment.
- Cleaning tar, glue or stubborn stains from concrete.
- Cleaning overhead areas.
- Removing rust from steel and oxidation from aluminum.

15° - STRIPPING

- Removing paint from wood, masonry or metal.
- Removing grease or dirt from equipment.
- Removing heavy mildew stains.
- Removing marine growth from boats and marine equipment.
- Removing rust from steel and oxidation from aluminum.

25° - CLEANING

- General cleaning of dirt, mud and grime.
- Cleaning roofs, gutters and downspouts.
- Removing light mildew stains.
- Removing algae and bacteria build-up from pools.
- Rinsing surfaces in preparation for painting.

40° - WASHING

- Light cleaning and washing.
- Washing and rinsing of automobiles and boats.
- Cleaning roofs, windows, patios and driveways.

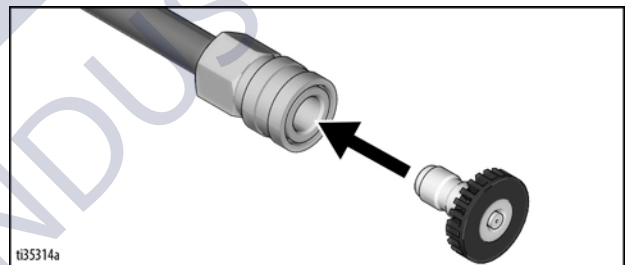
65° - CHEMICAL/DETERGENT

- Applying chemicals/detergents at low pressure to help clean the surface.
- Tough stains that require the aid of a chemical agent to remove.

Nozzle Connection

| | | | | |
|---|--|--|--|--|
| | | | | |
| EJECTED PARTS HAZARD | | | | |
| When using quick connects, be certain the connection is securely locked. If connections are not securely locked, the high pressure water may eject the nozzle from the wand, causing severe injury or serious damage. Always point wand away from you when changing nozzle. | | | | |

1. Perform **Pressure Relief Procedure**, page 10.
2. Engage trigger lock.
3. Connect nozzle by retracting the locking ring on the quick-connect fitting and inserting the nozzle.



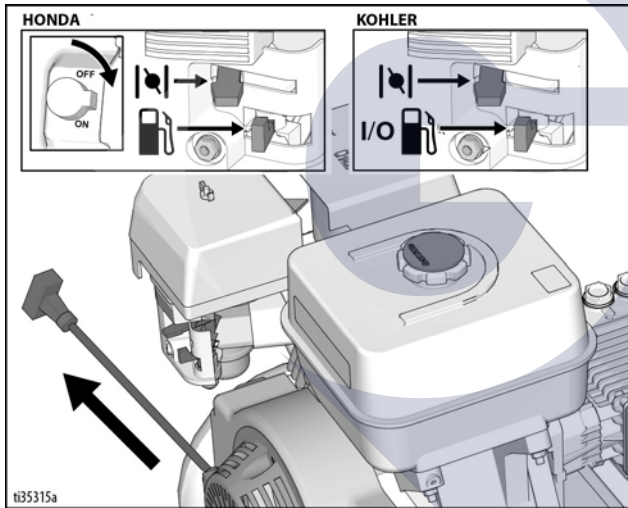
4. Verify the locking ring returns to its operating position after inserting the nozzle.

Starting the Washer



Never look directly into the nozzle. High pressure water creates a risk for severe injury.

1. Engage trigger lock and point gun away from yourself or anyone else. Make sure water supply is fully turned on.
2. Verify pump is primed. See **Priming the Pump**, page 12.
3. Turn the engine switch to the ON position, as well as the fuel valve (if supplied with) and adjust choke as needed. Then start engine by pulling recoil rope.



Brace yourself. Hold onto gun/wand firmly with both hands. Gun will kick back from high pressure created by pump once engine has started.

4. Disengage trigger lock and trigger gun several times. Verify high pressure water is sprayed.
5. Make sure to engaged trigger lock whenever changing nozzles and/or when not in use.

NOTICE

Do not allow unit to operate in bypass mode (with trigger closed) for more than three minutes without triggering gun. This can cause premature failure of pump packing seals and result in costly pump repair.

This pressure washer delivers a high pressure spray and a variety of spray patterns. There are many cleaning jobs that can be done without the use of detergents. If a cleaning agent is required, see **Cleaning with Detergents**, page 15, for correct procedures.

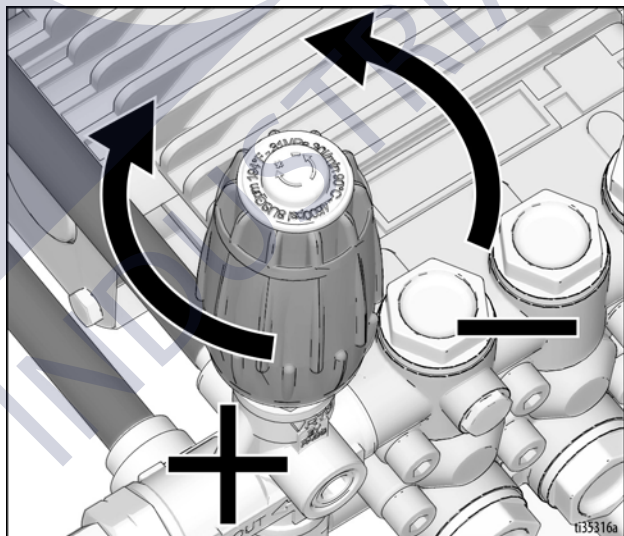
NOTICE

Do not allow spray pattern to remain on a fixed area for an extended period of time. Possible damage to that area may occur.

Unloader

Adjustment Knob

The unloader valve on your machine is equipped with an adjustment knob to adjust the pressure. If less pressure is needed, turn the adjustment knob counter-clockwise. To set back to maximum, turn adjustment knob fully clockwise. Do not over tighten.



NOTICE

Do not overtighten the unloader. Breakage could result in immediate loss of water pressure and costly repairs.

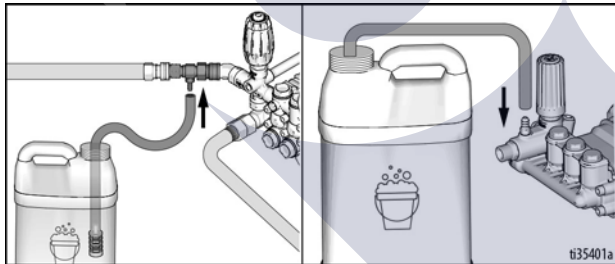
Cleaning with Detergents

| | | | | |
|---|---|---|--|--|
|  |  |  | | |
| <p>BURN OR EXPLOSION HAZARD Always wear protective safety attire.</p> <p>Prepare detergent solution according to label directions. Never pump hazardous detergents or acid-type cleaners through unit.</p> | | | | |

All units are equipped with a chemical injection kit. Locate the clear vinyl hose that is shipped with your unit.

NOTE: This injection system is designed to apply detergents under low pressure only. It will not allow detergent solutions to be introduced into the system unless the chemical/detergent nozzle is used.

1. Perform **Pressure Relief Procedure**, page 10.
2. Install chemical injector hose between the pump outlet and the high-pressure washer hose inlet. For washers shipped with an integrated chemical injector, attach the clear chemical injection tube to the barb on the injector.



3. Adjust pressure to the lowest point by turning the pressure knob counterclockwise on the unloader valve.
4. Immerse detergent strainer into detergent solution to allow detergent to siphon.
5. Engage trigger lock and secure the chemical/detergent nozzle (65° BLACK) into end of wand. See **Nozzle Connection**, page 13.

6. Start the washer. See **Starting the Washer**, page 14.
7. To apply solution; disengage trigger lock and squeeze trigger. A detergent/water mixture will exit low pressure nozzle. Start spraying lower portion of surface being cleaned and move up, using long overlapping strokes. **NOTE:** Applying from the bottom up helps to avoid streaking. Allow to soak briefly. Do not allow detergent solution to dry on the surface. Avoid working on hot surfaces or in direct sunlight to minimize the chances of the detergent drying, which may result in damaging painted surfaces. Rinse a small section at a time.
8. To rinse; engage trigger lock and securely connect desired high pressure nozzle into end of wand. Disengage trigger lock and spray. It will take about 30 seconds to purge all detergent from line. For best rinsing results, start at the top and work down. See **Nozzle Connection**, page 13.
9. Siphon a gallon of water through low pressure detergent injection system after each use. This reduces the possibility of corrosion or detergent residue causing mechanical problems during next use.

Shutdown



1. Perform **Pressure Relief Procedure**, page 10.
2. Once pressure is relieved, disconnect nozzle assembly.
3. Disconnect and drain gun, wand and hose.
4. Wipe unit clean and store with gun, wand and hoses in a non-freezing area. See **Storage**, page 16.

Storage

1. Shut off unit and water supply.
2. Relieve system pressure by pointing gun away from yourself and anyone else and squeezing trigger until water flow ceases to exit nozzle.
3. Disconnect and drain hose, gun and wand.
4. Start unit and allow it to run until all water exits from unit. Once water has stopped flowing from unit, turn unit off.
5. Store hose, gun and wand with unit in a non-freezing area.

NOTICE

If unit was stored in this manner, but exposed to freezing temperatures, caution should be used as ice chips can form from drops of water which could lead to equipment damage. Allow unit to completely thaw before starting.

Winterizing



For storage and transportation purposes in subfreezing ambient temperatures, it will be necessary to winterize the unit. The unit must be protected to the lowest incurred temperature to prevent permanent damage.

NOTICE

The pumping system in this unit may be permanently damaged if any part of the system becomes frozen. Freeze damage is not covered by warranty.

If you must store the unit in an area where the temperature falls below 32° F (0° C), perform the following steps:

NOTICE

Do not operate unit in a freezing environment. Damage to washer could occur.

Gather the following items:

- Two 5 gallon (18.9 liter) containers.
- One gallon (3.8 liter) of antifreeze.
- Water supply.
- Three foot (0.92 m) hose, 1/2-3/4 in. (13-19 mm) ID with a 3/4 in. male garden hose fitting.

Procedure

1. To start winterizing, unit must be primed (see **Priming the Pump**, page 12.).
2. After priming, perform **Pressure Relief Procedure**, page 10.
3. Engage trigger lock and remove nozzle.
4. In one 5 gallon (18.9 liter) container, mix antifreeze and water according to manufacturer's recommendations for winterizing temperature.

NOTE: Proper winterizing is based on the recommended manufacturer's instructions listed on the Protections Chart shown on the back label of most antifreeze containers.
5. Remove water supply hose from unit and attach 3 ft hose securely to inlet connection. Submerge other end into antifreeze solution.
6. Point wand into empty container and start unit.
7. Trigger gun until antifreeze begins to exit wand. Release trigger for 3 seconds, then trigger gun for 3 seconds. Continue cycling gun several times until all antifreeze mixture is siphoned from container.
8. Shut engine off.
9. Detach 3 ft hose from unit and drain any excess antifreeze back into 5 gallon (18.9 liter) container.
10. Disconnect hose/gun/wand assembly from unit and drain any excess antifreeze back into 5 gallon (18.9 liter) container.
11. Store antifreeze solution for next use or dispose of according to local regulations.

Maintenance

Engine

The engine instructions that accompany the unit detail specific procedures for engine maintenance. Following the engine manufacturer's recommendations will extend engine life.

Pump

The pump oil must be changed after the first 25 hours of operation on all units. Once the initial oil change has been completed, it is recommended the oil be changed every 3 months or 250 hour intervals. If oil appears dirty or milky, changes may be required at a greater frequency. Add pump oil and fill only to the center of the sight glass or max level on dipstick. Refer to the parts listing for the correct pump oil. Do not overfill.

Nozzles

Water flow through the spray nozzle will erode the orifice, making it larger and result in a pressure loss. Nozzles should be replaced whenever pressure is less than 85% of the maximum. The frequency of replacement will depend upon such variables as mineral content in the water and number of hours the nozzle is used.

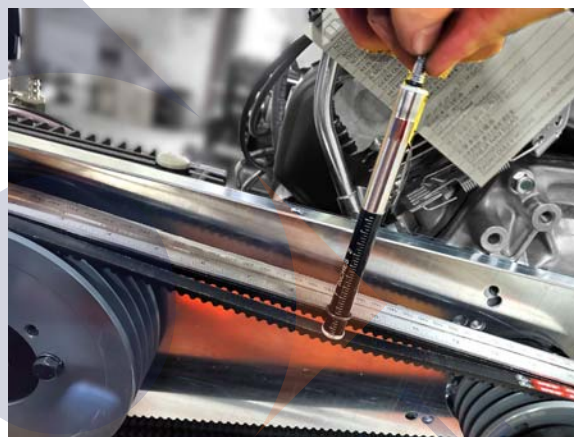
Quick Couplers

There is an o-ring seal inside the female quick couplers. This o-ring will deteriorate or, if the unit is allowed to pump without the high pressure hose or nozzle attached, the o-ring may be blown out occasionally. Insert a replacement o-ring to correct the leak. Additional o-rings can be purchased from your dealer.

Belt Tension Adjustment

To maintain peak performance, it may be necessary to occasionally adjust the belt tension. Perform the following steps:

1. Remove belt guard and loosen two nuts on each side of pump.
2. Turn cap screws clockwise or counterclockwise until belt tension is adjusted properly per the tension specifications listed below.



| Tension | New Belt | Used Belt |
|--------------------------------|---------------|---------------|
| Static Belt Pull (total pull): | 337 - 361 lbf | 289 - 313 lbf |
| Belt Deflection Distance: | 0.15 in | 0.15 in |
| Belt Deflection Force: | 3.8 - 4.1 lbf | 3.3 - 3.6 lbf |
| Sonic Tension Meter: | 254 - 272 N | 217 - 235 N |
| Belt Frequency: | 141 - 146 Hz | 130 - 135 Hz |

3. Turn cap screw clockwise until a 1/2 in. (12.7 mm) belt deflection is noticed between the pulleys.
4. Tighten side nuts.
5. Put a straight edge across both pulleys. If necessary, loosen one set of pulley screws and adjust in or out to properly align. Tighten pulley screws and check tension again.
6. Replace belt guard and tighten fasteners securely.

Troubleshooting



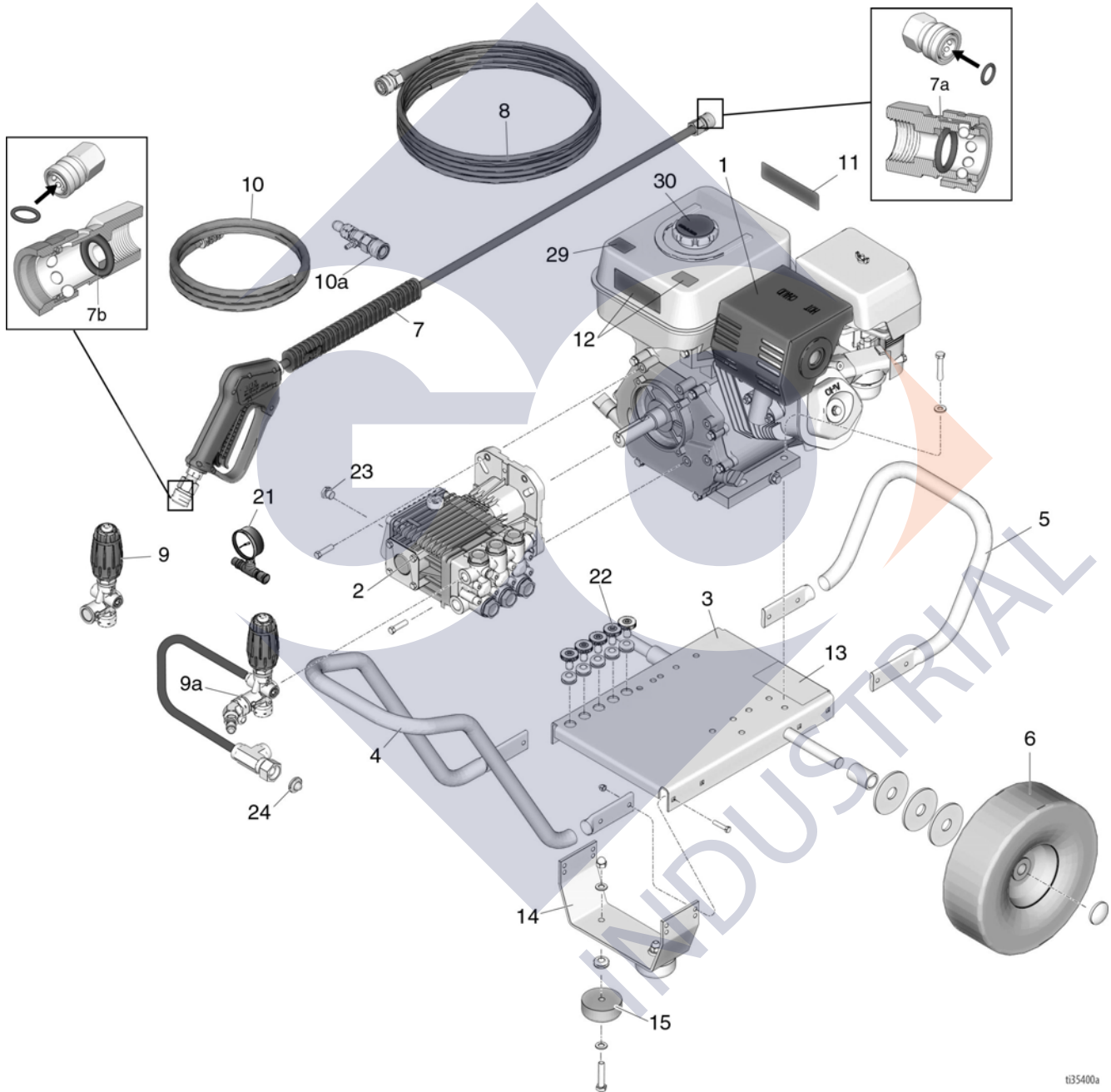
1. Follow **Pressure Relief Procedure**, page 10, before checking or repairing gun.
2. Check all possible problems and causes before disassembling gun.

| Problem | Cause | Solution |
|--|--|---|
| Engine not starting or hard to start | No gasoline in fuel tank or carburetor | Fill the tank with gasoline and open fuel shut off valve. Check fuel line to carburetor. |
| | Low oil | Add oil to proper level. |
| | Start/Stop switch in STOP position | Move switch to START position. |
| | Water in fuel, or old fuel | Drain fuel tank and carburetor. Use new fuel, and make sure spark plug is dry. |
| | Engine flooded or improperly choked | Open choke, and crank engine several times to clear out gas. Make sure spark plug is dry. |
| | Dirty air cleaner filter | Remove and clean. |
| | Dirty spark plug, wrong gap, or wrong type | Clean spark plug, adjust the gap, or replace. |
| | Gun not triggered | Trigger gun while starting engine. |
| Engine not operating properly or lacking power | Partially plugged air cleaner filter | Remove and clean. |
| | Spark plug dirty, wrong gap, or wrong type | Clean spark plug, adjust the gap, or replace. |
| Pressure too low and/or pump running roughly | Worn or wrong size nozzle | Replace with nozzle of proper size |
| | Inlet filter clogged | Clean filter. Check more frequently. |
| | Worn packings, abrasives in water, or natural wear | Check filter. Replace packings. |
| | Inadequate water supply | Check water flow rate to pump. |
| | Belts slipping | Tighten or replace belts; use correct belts, and replace both at same time. |
| | Fouled or dirty inlet or discharge valves | Clean inlet and discharge valve assemblies. Check filter. |
| | Restricted inlet | Check if garden hose is collapsed or kinked. |
| | Worn inlet or discharge valves | Replace worn valves. |
| | Leak in high-pressure hose | Replace high-pressure hose. |
| Water leaking from under pump manifold | Worn packings | Install new packings. |

| Problem | Cause | Solution |
|---|--|--|
| Water in pump oil | Humid air condensing inside crankcase | Change oil as specified in Maintenance on page 17. |
| | Worn packings | Install new packings. |
| | Oil seals are leaking | Install new oil seals. |
| Packings failing frequently or prematurely | Scored, damaged, or worn plungers | Install new plungers. |
| | Abrasive material in the fluid being pumped | Install proper filtration on pump inlet plumbing. |
| | Inlet water temperature too high | Check water temperature. It should not exceed 140°F (60°C). |
| | Over pressurized pump | Do not modify any factory-set adjustments. See Equipment Misuse Hazard on page 7. |
| | Excessive pressure due to partially plugged or damaged nozzle | Clean or replace nozzle. See Nozzle Connection on page 13. |
| | Pump running too long without spraying | Never run pump more than 3 minutes without spraying. |
| | Running pump dry | Do not run pump without water. |
| Strong surging at inlet, and low pressure on discharge side | Foreign particles in the inlet or discharge valve, or worn inlet and/or discharge valves | Clean or replace valves. |
| No detergent is being siphoned into system | Incorrect nozzle installed | Install chemical/detergent nozzle |
| | Pressure too high | Adjust pressure to lowest point |
| | Worn chemical injector valve | Install new chemical injector valve |

Parts - Direct-Drive

Models 25N634, 25N635, 25N636, 25N637, 25N638, 25N639, 25N640, 25N641, 25N677, 25N678, 25N681, 25N682



t35400a

Parts List - Direct-Drive

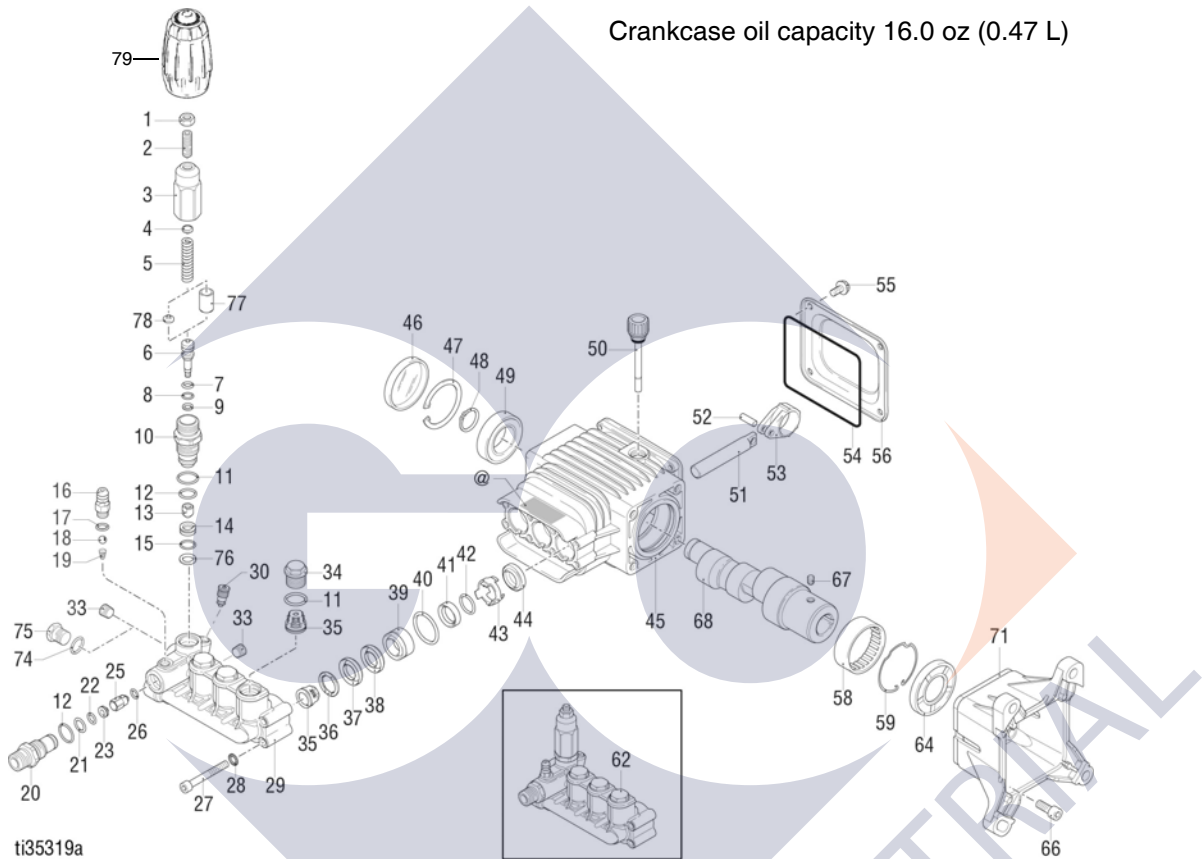
Models 25N634, 25N635, 25N636, 25N637, 25N638, 25N639, 25N640, 25N641, 25N677, 25N678, 25N681, 25N682

| Ref. Part | Description | Qty. | Ref. Part | Description | Qty. | |
|-----------|---|--|-----------|---|--|---|
| 1 | ENGINE | | 16Y721 | Models 25N638, 25N639, 25N641, 25N681, 25N682 | 1 | |
| 116298 | GX200 (Models 25N684, 25N638) | 1 | 17Z429 | Model 25N636 | 1 | |
| 803900 | GX270 (Models 25N635, 25N639) | 1 | 17Z430 | Model 25N640 | 1 | |
| 114703 | GX390 (Models 25N637, 25N641, 25N677, 25N678, 25N681, 25N682) | 1 | 13▲ | LABEL, safety, frame | | |
| 18A008 | CH440 (Models 25N636, 25N640) | 1 | 16X819 | Models 25N634, 25N636, 25N637, 25N677, 25N678, 25N635 | 1 | |
| 2 | PUMP | | 16Y739 | Models 25N638, 25N639, 25N640, 25N641, 25N681, 25N682 | 1 | |
| 17Z102 | AR/RSV series (Models 25N634, 25N638) | 1 | 14 | BRACKET, foot | | |
| 17Z103 | AR/RSV series (Models 25N635, 25N639) | 1 | 127537 | Models 25N634, 25N638, 25N635, 25N639, 25N636, 25N640, 25N637, 25N641 | 1 | |
| 17Z104 | AR RSV series (Models 25N636, 25N637, 25N640, 25N641) | 1 | 127538 | Models 25N677, 25N678, 25N681, 25N682 | 1 | |
| 127385 | GP - EZ series (Models 25N677, 25N681) | 1 | 15 | 127541 | PAD, foot | |
| 127383 | CAT - or 66PPX series (Models 25N678, 25N682) | 1 | 21 | 127558 | GAUGE, quick disconnect (Models 25N638, 25N639, 25N640, 25N641, 25N681, 25N682) | |
| 3 | FRAME, base plate | | 22 | 805634 | NOZZLE, chemical, black (all models) | |
| 127471 | Models 25N634, 25N638, 25N635, 25N639, 25N636, 25N640, 25N637, 25N641 | 1 | 805591 | NOZZLE, 0°, red, 2.7 (Models 25N634, 25N638) | 1 | |
| 127468 | Models 25N677, 25N678, 25N681, 25N682 | 1 | 805592 | NOZZLE, 15°, yellow, 2.7 (Models 25N634, 25N638) | 1 | |
| 4 | 18A006 | HANDLE, long | 1 | 805593 | NOZZLE, 25°, green, 2.7 (Models 25N634, 25N638) | 1 |
| 5 | 17Z101 | HANDLE, short | 1 | 805539 | NOZZLE, 0°, red, 3.5 (Models 25N635, 25N639) | 1 |
| 6 | WHEEL/TIRE | | 805540 | NOZZLE, 15°, yellow, 3.5 (Models 25N635, 25N639) | 1 | |
| 16Y888 | 10 in. (Models 25N634, 25N638, 25N635, 25N639, 25N636, 25N640, 25N637, 25N641) | 2 | 805541 | NOZZLE, 25°, green, 3.5 (Models 25N635, 25N639) | 1 | |
| 16Y889 | 11 in. (Models 25N677, 25N678, 25N681, 25N682) | 2 | 805595 | NOZZLE, 0°, red, 3.7 (Models 25N636, 25N637, 25N640, 25N641) | 1 | |
| 7 | 244784 | GUN | 1 | 805596 | NOZZLE, 15°, yellow, 3.7 (Models 25N636, 25N637, 25N640, 25N641) | 1 |
| 7a | 17P089 | KIT, O-Ring, 10 Pack | 1 | 805597 | NOZZLE, 25°, green, 3.7 (Models 25N636, 25N637, 25N640, 25N641) | 1 |
| 7b | 17P090 | KIT, O-Ring, 10 Pack | 1 | 805543 | NOZZLE, 0°, red, 4.0 (Models 25N677, 25N678, 25N681, 25N682) | 1 |
| 8 | 244783 | HOSE | 1 | 805544 | NOZZLE, 15°, yellow, 4.0 (Models 25N677, 25N678, 25N681, 25N682) | 1 |
| 9 | 127526 | UNLOADER (Models 25N677, 25N678, 25N681, 25N682) | 1 | 805545 | NOZZLE, 25°, green, 4.0 (Models 25N677, 25N678, 25N681, 25N682) | 1 |
| 9a | 17A642 | UNLOADER, complete (Models 25N678, 25N682, 25N677, 25N681) | 1 | 805546 | NOZZLE, 40°, white, 4.0 (Models 25N677, 25N678, 25N681, 25N682) | 1 |
| 17Z106 | KIT, unloader, repair (Models 25N634, 25N635, 25N636, 25N637, 25N638, 25N639, 25N640, 25N641) | 1 | 23 | THERMAL VALVE | 1 | |
| 10 | 127528 | HOSE w/ strainer | 1 | 17A562 | THERMAL VALVE, Models 25N634, 25N638, 25N635, 25N639, 25N636, 25N640, 25N637, 25N641 | 1 |
| 10a | 127529 | INJECTOR, chemical w/ hose and strainer (Models 25N677, 25N678, 25N681, 25N682) | 1 | 17A564 | THERMAL VALVE, Models 25N677, 25N678, 25N681, 25N682 | 1 |
| 11 | LABEL, product | | 24 | 801112 | INLET, strainer | 1 |
| 17Y574 | Models 25N634, 25N638 | 1 | 29 | 16D576 | LABEL, made in USA | 1 |
| 17Y575 | Models 25N635, 25N639 | 1 | 30 | 17Y766 | LABEL, gas cap (all models, but 25N636, 25N640) | 1 |
| 17Y576 | Models 25N636, 25N640 | 1 | | | | |
| 17Y577 | Models 25N637, 25N641 | 1 | | | | |
| 17Y759 | Models 25N677, 25N681 | 1 | | | | |
| 17Y760 | Models 25N678, 25N682 | 1 | | | | |
| 12▲ | LABEL, safety, gas tank | | | | | |
| 194126 | Models 25N634, 25N636, 25N637, 25N677, 25N678, 25N635 | 1 | | | | |
| 16Y720 | Models 25N638, 25N639, 25N641, 25N681, 25N682 | 1 | | | | |

▲ Replacement safety labels, tags, and cards are available at no cost.

Parts List - Pump 17Z102, 17Z103, 17Z104

Models 25N634, 25N635, 25N636, 25N637, 25N638, 25N639, 25N640, 25N641

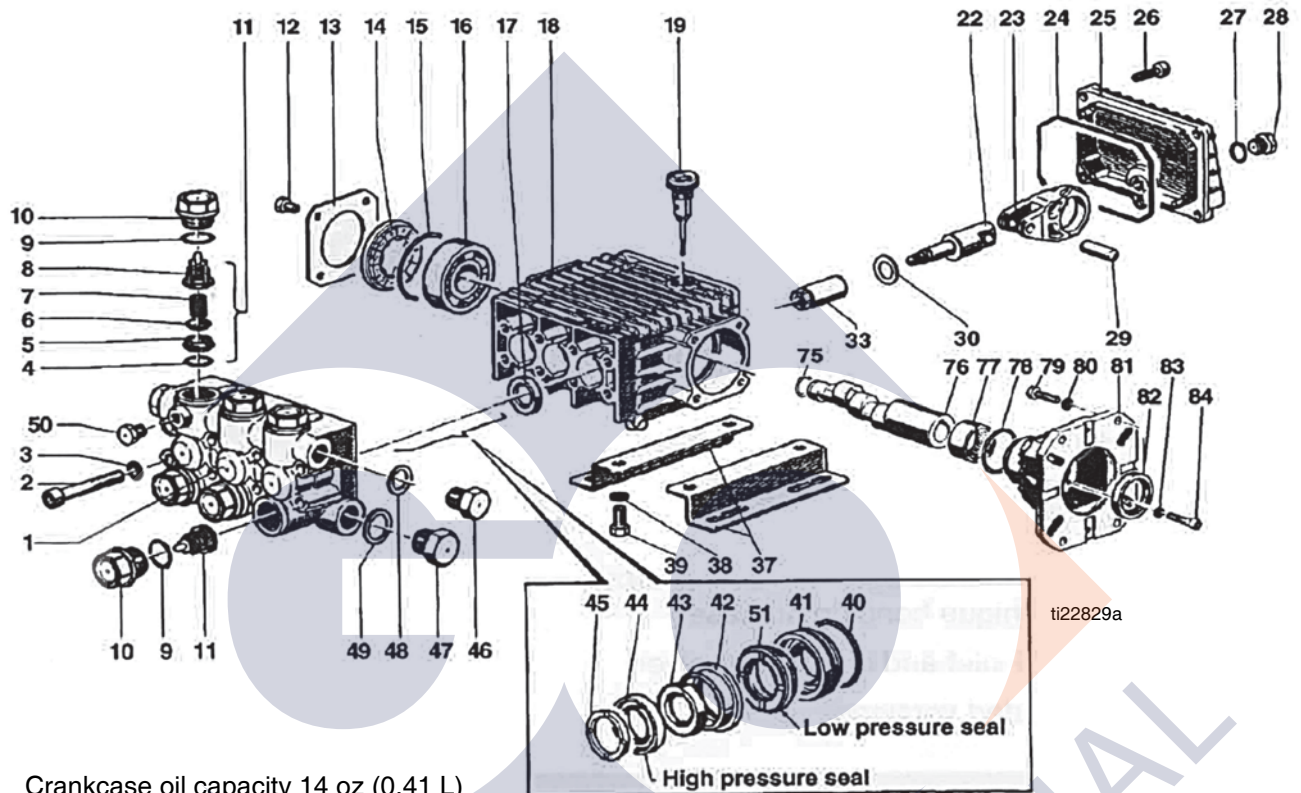


Parts List

| Part | Description | Qty. | Part | Description | Qty. |
|---------|---|------|---------|---|------|
| 246377 | PUMP, oil, 32 oz | 1 | ★17Z109 | KIT, piston (includes 51) | 3 |
| 17Z706 | KIT, unloader (includes 1-15, 79) | 1 | 17Z113 | KIT, valve cap (includes 34) | 3 |
| ★17Z117 | KIT, valves (includes 11, 35) | 6 | ★17Z111 | KIT, oil seals (includes 44, 46, 54, 64) | 3, 1 |
| ★17Z112 | KIT, water seals (includes 37, 38, 40-42) | 3 | | | |
| 127506 | KIT, chemical injector (includes 17-19) | 1 | | | |
| 17Z110 | KIT, oil fill cap (includes 50) | 1 | | | |
| | | | | ★ Kit services 3 cylinders | |
| | | | | † Not all repair parts available through Graco. | |

Parts - Pump 127385

Models 25N677, 25N681



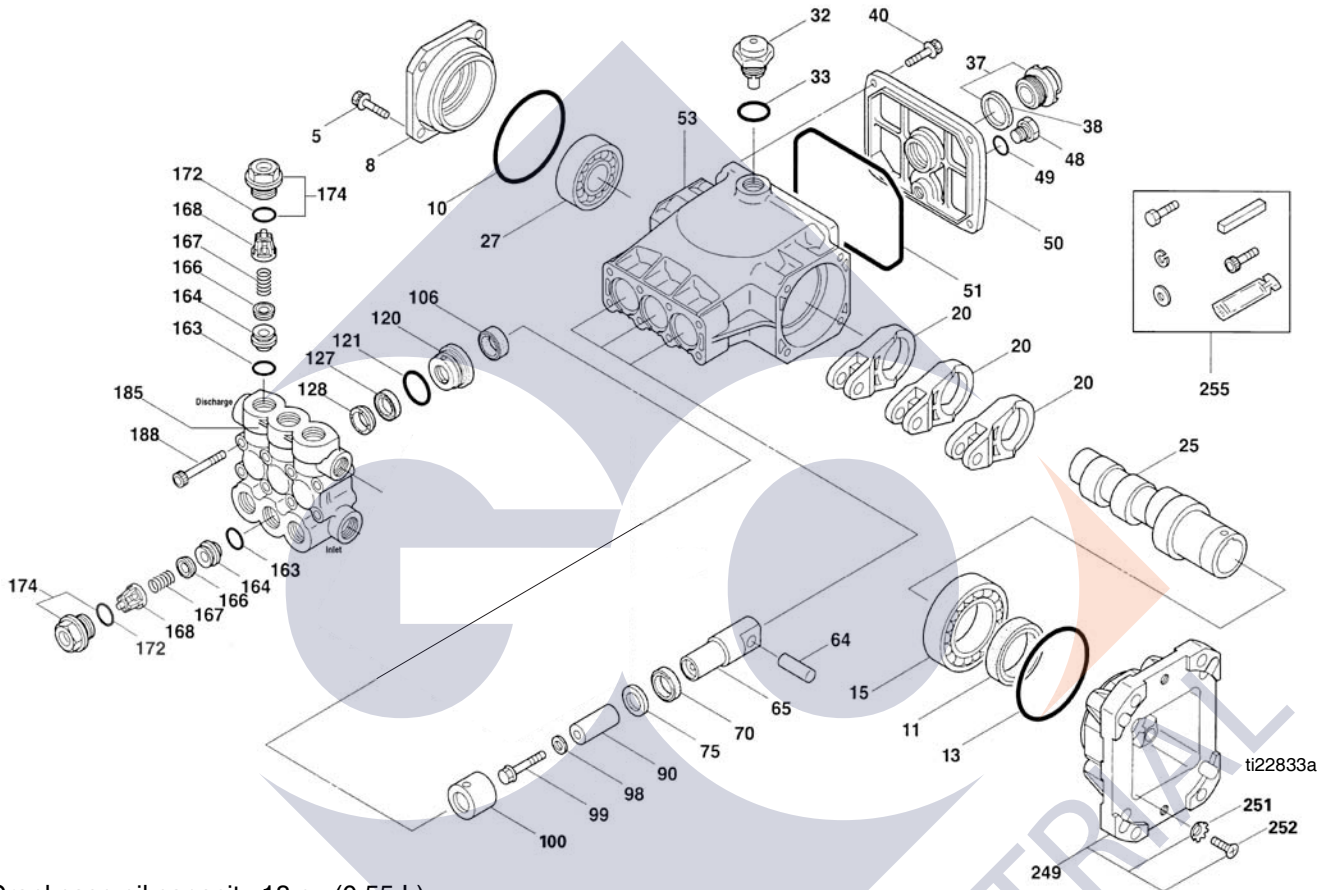
Crankcase oil capacity 14 oz (0.41 L)

Parts List

| Part | Description | Qty. | Part | Description | Qty. |
|---------|------------------------------------|------|---|---|------|
| 127481★ | KIT, repair valve (includes 11) | 6 | 17C738 | KIT, oil fill cap, vented w/ o-ring (includes 19) | 1 |
| 127485★ | KIT, valve cap (includes 9, 10) | 6 | 246377 | PUMP, oil, 32 oz | 1 |
| 127486★ | KIT, oil seal (includes 17) | 3 | ★ Kit services 3 cylinders | | |
| 127487★ | KIT, packing (includes 43, 44, 51) | 3 | ❖ Kit services 1 cylinder | | |
| 127488❖ | KIT, piston (includes 33) | 3 | † Not all repair parts available through Graco. | | |

Parts - Pump 127383

Models 25N678, 25N682



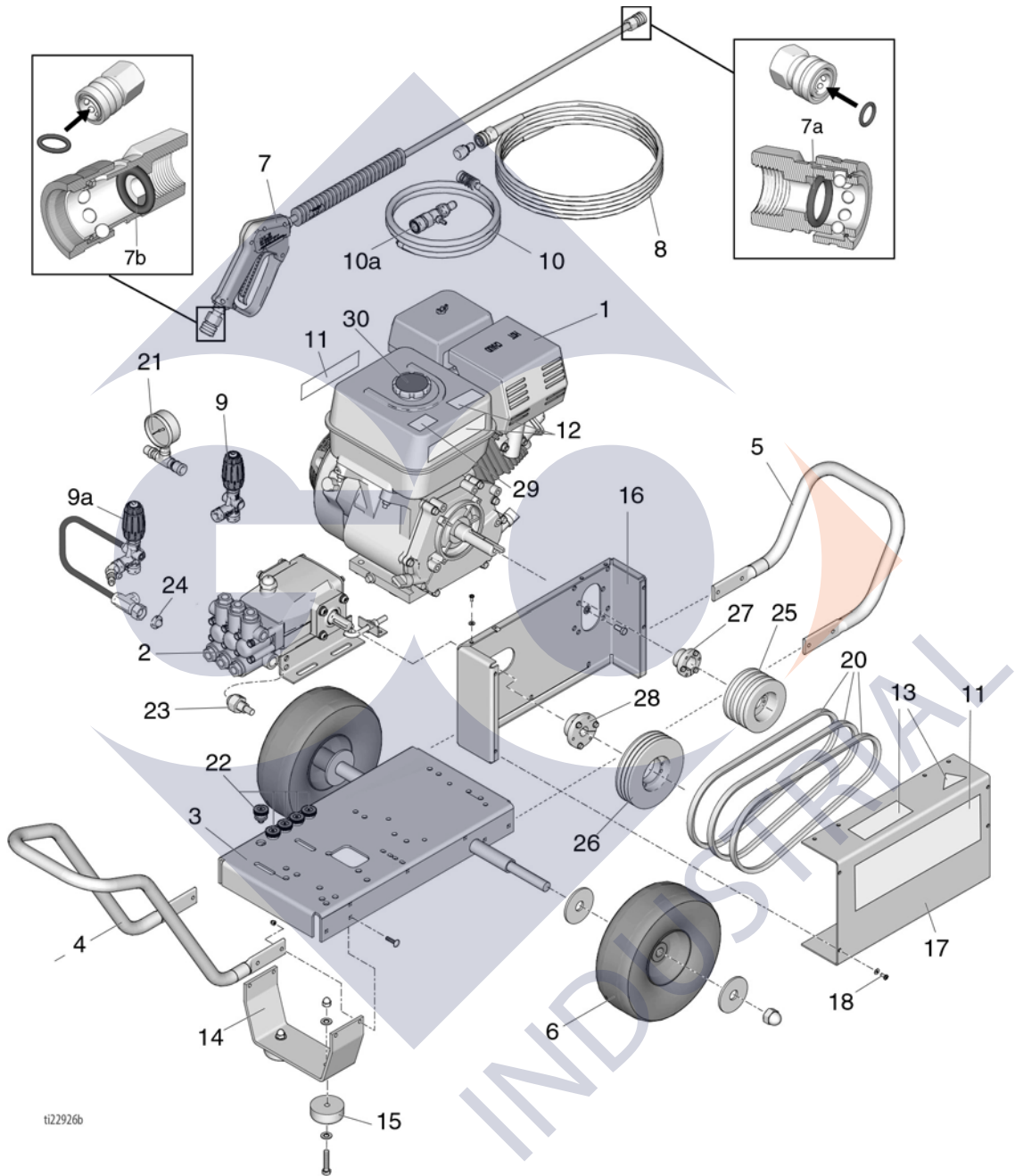
Crankcase oil capacity 18 oz (0.55 L)

Parts List

| Part | Description | Qty. | Part | Description | Qty. |
|---------|---|------|--------|---|------|
| ❖17Z116 | KIT, repair valve (includes 163, 164, 166, 167, 168) | 6 | 17Z107 | SIGHTGLASS (includes 37) | 1 |
| 127495★ | KIT, oil seal (includes 98, 106, 121, 127, 128) | 3 | 246377 | PUMP, oil, 32 oz | 1 |
| 127496❖ | KIT, piston (includes 90) | 3 | | ★ Kit services 3 cylinders | |
| 17Z108 | KIT, oil fill cap, vented w/ o-ring (includes 32, 33) | 1 | | ❖ Kit services 1 cylinder | |
| 17Z114 | KIT, valve cap (includes 174) | 6 | | † Not all repair parts available through Graco. | |

Parts - Belt-Drive

Models 25N679, 25N683, 25N680, 25N684



Parts List - Belt-Drive

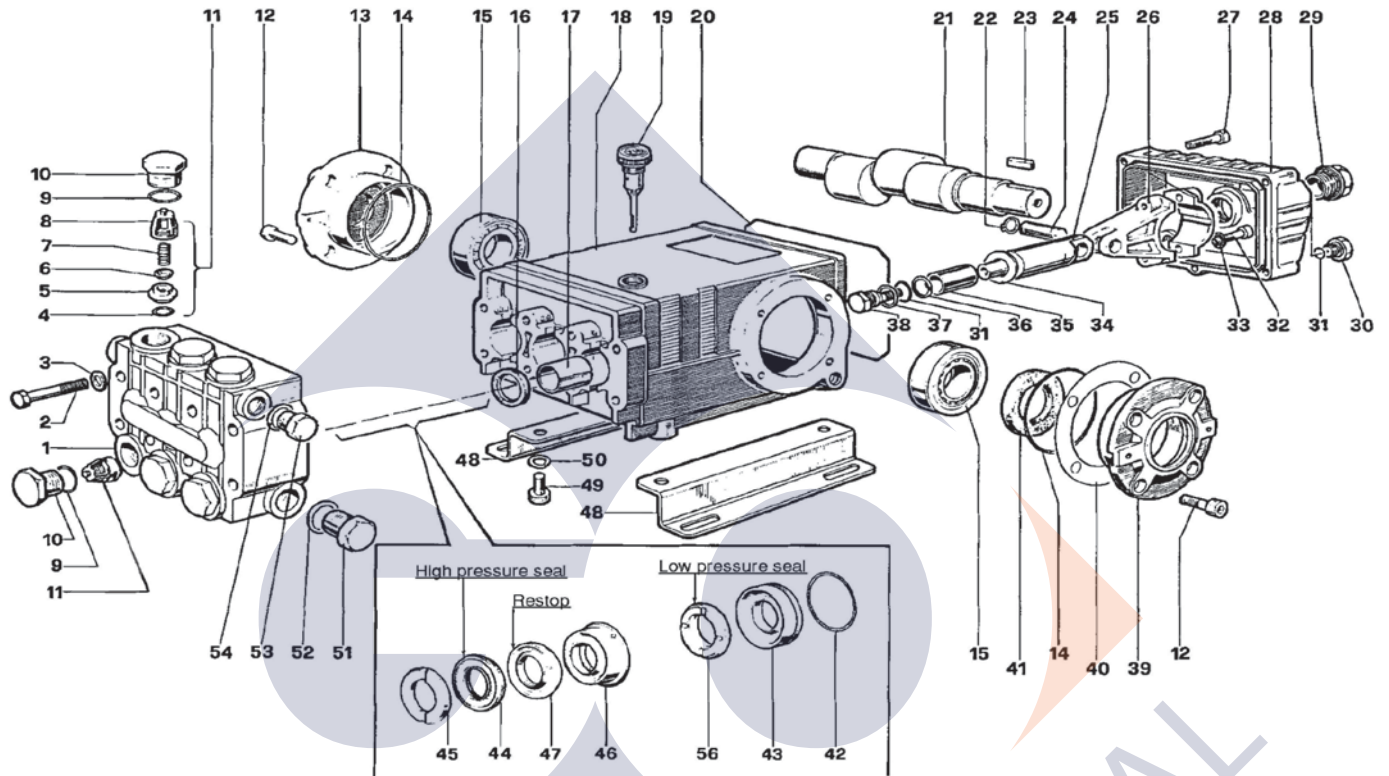
Models 25N679, 25N683, 25N680, 25N684

| Ref. | Part | Description | Qty. | Ref. | Part | Description | Qty. |
|------|--------|---|------|--------|--|-------------|------|
| 1 | 114703 | ENGINE, GX390 | 1 | 16C394 | Models 25N683, 25N684, 25N679, 25N680 | 1 | |
| 2 | | PUMP | | 14 | BRACKET, foot | 1 | |
| | 127384 | GP - HP series (Models 25N679, 25N683) | 1 | 15 | 127541 PAD, foot | 2 | |
| | 127382 | CAT - 5PP series (Models 25N680, 25N684) | 1 | 16 | 18A003 BELT GUARD, back | 1 | |
| 3 | 18A005 | FRAME, base plate | 1 | 17 | 18A004 BELT GUARD, cover | 1 | |
| 4 | 18A006 | HANDLE, long | 1 | 18 | 127542 FASTENERS, belt guard cover | 1 | |
| 5 | 127467 | HANDLE, short | 1 | 20 | 127527 KIT, belt | 1 | |
| 6 | 16Y890 | WHEEL/TIRE, 12 in. | 2 | 21 | 127558 GAUGE, quick disconnect (Models 25N683, 25N684) | 1 | |
| 7 | 244784 | GUN | 1 | 22 | 805543 NOZZLE, 0°, red, 4.0 | 1 | |
| 7A | 17P089 | KIT, O-Ring, 10 Pack | 1 | | 805544 NOZZLE, 15°, yellow, 4.0 | 1 | |
| 7B | 17P090 | KIT, O-Ring, 10 Pack | 1 | | 805545 NOZZLE, 25°, green, 4.0 | 1 | |
| 8 | 244783 | HOSE | 1 | | 805546 NOZZLE, 40°, white, 4.0 | 1 | |
| 9 | 127526 | UNLOADER | 1 | | 805634 NOZZLE, chemical, black | 1 | |
| 9a | 17A644 | UNLOADER, complete | 1 | 23 | 17A564 THERMAL VALVE | 1 | |
| 10 | 127528 | HOSE with strainer | 1 | 24 | 801112 STRAINER, inlet | 1 | |
| 10a | 127529 | INJECTOR, chemical with hose and strainer | 1 | 25 | 127706 PULLEY, engine, 2.65 | 1 | |
| 11 | | LABEL, product | | 26 | 127705 PULLEY, pump, 6" | 1 | |
| | 17Y761 | Model 25N679, 25N683 | 1 | 27 | 127703 BUSHING, engine | 1 | |
| | 17Y762 | Model 25N680, 25N684 | 1 | 28 | BUSHING, pump | | |
| 12▲ | | LABEL, safety, gas tank | | | 127704 BUSHING, pump, 24mm, models 25N679, 25N683 | 1 | |
| | 194126 | Models 25N679, 25N680 | 1 | | 127707 BUSHING, pump, 20 mm, models 25N680, 25N684 | 1 | |
| | 16Y720 | Models 25N683, 25N684 | 1 | 29 | 16D576 LABEL, made in USA | 1 | |
| | 16Y721 | Models 25N683, 25N684 | 1 | 30 | 17Y766 LABEL, gas cap | 1 | |
| 13▲ | | LABEL, safety, frame | | | | | |
| | 16X819 | Models 25N679, 25N680 | 1 | | | | |
| | 16Y739 | Models 25N683, 25N684 | 1 | | | | |

▲ Replacement safety labels, tags, and cards are available at no cost.

Parts - Pump 127384

Models 25N679, 25N683



Crankcase oil capacity 40.6 oz (1.2 L)

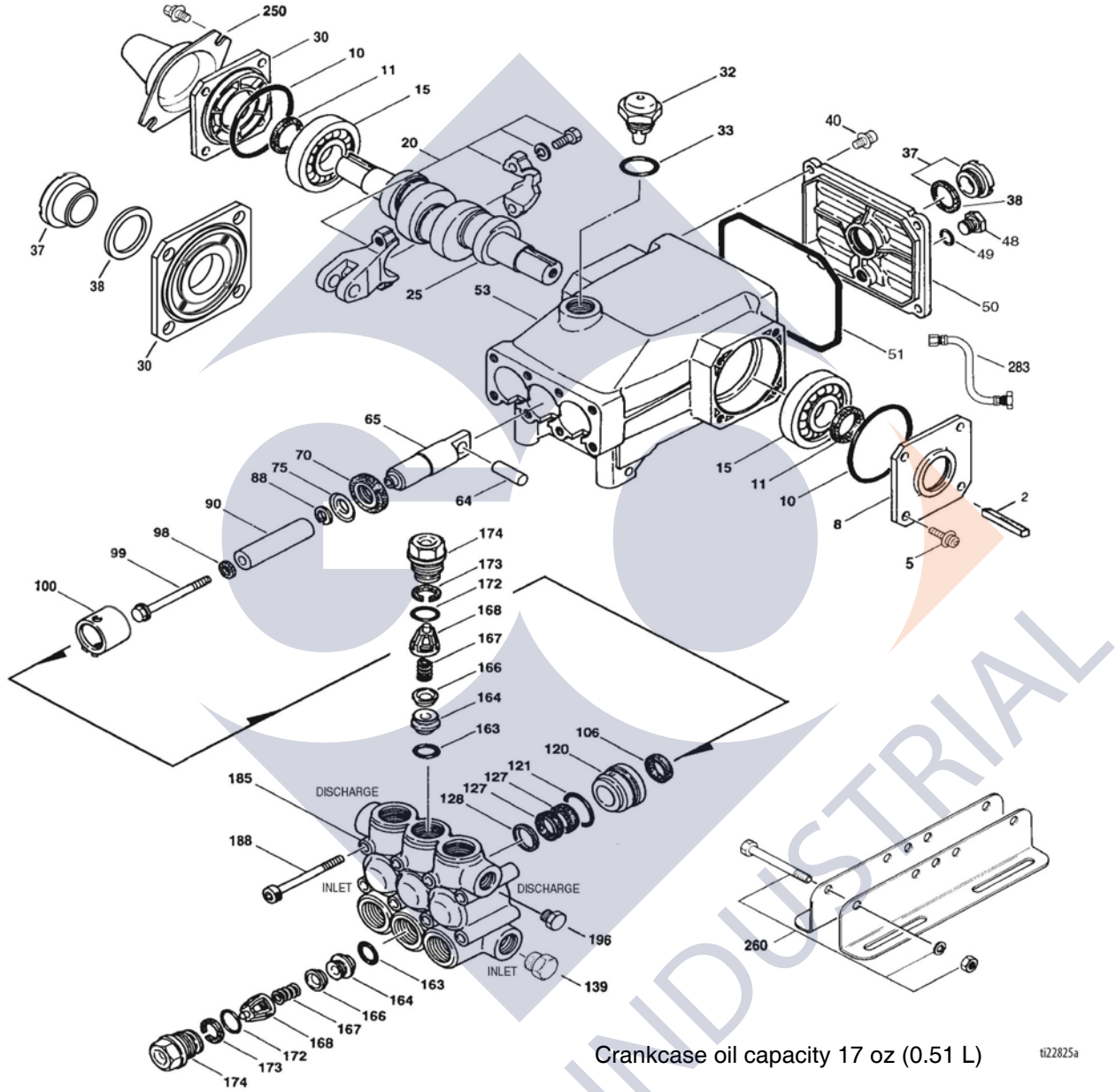
ti22828a

Parts List

| Part | Description | Qty. | Part | Description | Qty. |
|---------|---|------|--------|---|------|
| 127489★ | KIT, repair valve (includes 11) | 6 | 246377 | PUMP, oil, 32 oz | 1 |
| 127490★ | KIT, valve cap (includes 9, 10) | 6 | 802345 | SIGHTGLASS (includes 29) | 1 |
| 127491★ | KIT, oil seal (includes 16) | 3 | ★ | Kit services 3 cylinders | |
| 127492★ | KIT, packing (includes 44, 47, 56) | 3 | ❖ | Kit services 1 cylinder | |
| 127493❖ | KIT, piston (includes 35) | 1 | † | Not all repair parts available through Graco. | |
| 17C740 | KIT, oil fill cap, vented w/ o-ring (includes 19) | 1 | | | |

Parts - Pump 127382

Models 25N680, 25N684



Crankcase oil capacity 17 oz (0.51 L)

t122825a

Parts List

| Part | Description | Qty. | Part | Description | Qty. |
|---------|--|------|---|---|------|
| 127498★ | KIT, repair valve (includes 163, 164, 166, 167, 168, 172, 173) | 6 | 17Z108 | KIT, oil fill cap, vented w/ o-ring (includes 32, 33) | 1 |
| 127499❖ | KIT, oil seal (includes 98, 106, 121, 127, 128) | 3 | 246377 | PUMP OIL, 32 oz | 1 |
| 127500❖ | KIT, piston (includes 90) | 3 | ★ Kit services 3 cylinders | | |
| 17Z115 | KIT, valve, cap (includes 174) | 6 | ❖ Kit services 1 cylinder | | |
| 17Z107 | SIGHTGLASS (includes 37) | 1 | † Not all repair parts available through Graco. | | |

Technical Specifications

| Model 3325 HA-DD (25N634, 25N638) | | |
|--|-------------------------------|--|
| | U.S. | Metric |
| Washer | | |
| Maximum Working Pressure | 3300 psi | 22.8 MPa, 228bar |
| Honda Engine Size | GX200 | |
| Gas Tank Capacity | 3.8 quarts | 3.6 liters |
| Maximum Delivery | 2.5 gpm | 9.5 lpm |
| Drive | Direct | |
| Hose | 3/8 in. x 50 ft (4200 psi) | 9.5 mm x 15.2 m (29.0 MPa, 290 bar) |
| Dimensions | | |
| Length | 40.0 in. | 101.6 cm |
| Width | 22.5 in. | 57.2 cm |
| Height | 24.0 in. | 61.0 cm |
| Weight (bare) | 58 lb | 26.3 kg |
| Pump Inlet | 3/4 ghf | |
| Pump Outlet | 3/8 QC | |
| Inlet Filter | 50 mesh 0.012 in. | 50 mesh 0.3 mm |
| Operating Temperature Range | 40° F - 145° F | 4° C - 63° C |
| Sound Pressure measured @ 3.1 ft (1 m) | 89.6 dB(A) | |
| Sound Power per ISO 3744 | 103.6 dB(A) | |

| Model 3230 HA-DD (25N635, 25N639) | | |
|--|-------------------------------|--|
| | U.S. | Metric |
| Washer | | |
| Maximum Working Pressure | 3200 psi | 22 MPa, 220 bar |
| Honda Engine Size | GX270 | |
| Gas Tank Capacity | 6.4 quarts | 6.0 liters |
| Maximum Delivery | 3.0 gpm | 11.4 lpm |
| Drive | Direct | |
| Hose | 3/8 in. x 50 ft (4200 psi) | 9.5 mm x 15.2 m (29.0 MPa, 290 bar) |
| Dimensions | | |
| Length | 40.0 in. | 101.6 cm |
| Width | 22.5 in. | 57.2 cm |
| Height | 24.0 in. | 61.0 cm |
| Weight (bare) | 77 lb | 35.0 kg |
| Pump Inlet | 3/4 ghf | |
| Pump Outlet | 3/8 QC | |
| Inlet Filter | 50 mesh 0.012 in. | 50 mesh 0.3 mm |
| Operating Temperature Range | 40° F - 145° F | 4° C - 63° C |
| Sound Pressure measured @ 3.1 ft (1 m) | 93.1 dB(A) | |
| Sound Power per ISO 3744 | 107.2 dB(A) | |

| Model 4240 KA-DD (25N636, 25N640) | | |
|--|-------------------------------|--------------------------------------|
| | U.S. | Metric |
| Washer | | |
| Maximum Working Pressure | 4200 psi | 29.0 MPa, 290 bar |
| Kohler Engine Size | CH440 | |
| Gas Tank Capacity | 7.7 quarts | 7.3 liters |
| Maximum Delivery | 4.0 gpm | 15.1 lpm |
| Drive | Direct | |
| Hose | 3/8 in. x 50 ft (4200 psi) | 9.5mm x 15.2 m (29.0 MPa, 290bar) |
| Dimensions | | |
| Length | 40.0 in. | 101.6 cm |
| Width | 22.5 in. | 57.2 cm |
| Height | 24.0 in. | 61.0 cm |
| Weight (bare) | 105 lb | 47.6 kg |
| Pump Inlet | 3/4 ghf | |
| Pump Outlet | 3/8 QC | |
| Inlet Filter | 50 mesh 0.012 in. | 50 mesh 0.3 mm |
| Operating Temperature Range | 40° F - 145° F | 4° C - 63° C |
| Sound Pressure measured @ 3.1 ft (1 m) | 97.0 dB(A) | |
| Sound Power per ISO 3744 | 111.1 dB(A) | |

| Model 4240HA-DD (25N637, 25N641) | | |
|---|-------------------------------|--|
| | U.S. | Metric |
| Washer | | |
| Maximum Working Pressure | 4200 psi | 29.0 MPa, 290 bar |
| Honda Engine Size | GX390 | |
| Gas Tank Capacity | 6.9 quarts | 6.5 liters |
| Maximum Delivery | 4.0 gpm | 15.1 lpm |
| Drive | Direct | |
| Hose | 3/8 in. x 50 ft (4200 psi) | 9.5 mm x 15.2 m (29.0 MPa, 290 bar) |
| Dimensions | | |
| Length | 40.0 in. | 101.6 cm |
| Width | 22.5 in. | 57.2 cm |
| Height | 24.0 in. | 61.0 cm |
| Weight (bare) | 102 lb | 46.3 kg |
| Pump Inlet | 3/4 ghf | |
| Pump Outlet | 3/8 QC | |
| Inlet Filter | 50 mesh 0.012 in. | 50 mesh 0.3 mm |
| Operating Temperature Range | 40° F - 145° F | 4° C - 63° C |
| Sound Pressure measured @ 3.1 ft (1 m) | 92.2 dB(A) | |
| Sound Power per ISO 3744 | 106.4 dB(A) | |

| Model 4040 HG-DD (25N677, 25N681) | | |
|--|-------------------------------|--|
| | U.S. | Metric |
| Washer | | |
| Maximum Working Pressure | 4000 psi | 27.6 MPa, 276 bar |
| Honda Engine Size | GX390 | |
| Gas Tank Capacity | 6.9 quarts | 6.5 liters |
| Maximum Delivery | 4 gpm | 15.1 lpm |
| Drive | Direct | |
| Hose | 3/8 in. x 50 ft (4200 psi) | 9.5 mm x 15.2 m (29.0 MPa, 290 bar) |
| Dimensions | | |
| Length | 41.5 in. | 105.4 cm |
| Width | 23.5 in. | 59.7 cm |
| Height | 25.0 in. | 63.5 cm |
| Weight (bare) | 92 lb | 41.7 kg |
| Pump Inlet | 3/4 ghf | |
| Pump Outlet | 3/8 QC | |
| Inlet Filter | 50 mesh 0.012 in. | 50 mesh 0.3 mm |
| Operating Temperature Range | 40° F - 145° F | 4° C - 63° C |
| Sound Pressure measured @ 3.1 ft (1 m) | 92.2 dB(A) | |
| Sound Power per ISO 3744 | 106.4 dB(A) | |

| Model 4040 HC-DD (25N678, 25N682) | | |
|--|-------------------------------|--|
| | U.S. | Metric |
| Washer | | |
| Maximum Working Pressure | 4000 psi | 27.6 MPa, 276 bar |
| Honda Engine Size | GX390 | |
| Gas Tank Capacity | 6.9 quarts | 6.5 liters |
| Maximum Delivery | 4 gpm | 15.1 lpm |
| Drive | Direct | |
| Hose | 3/8 in. x 50 ft (4200 psi) | 9.5 mm x 15.2 m (29.0 MPa, 290 bar) |
| Dimensions | | |
| Length | 41.5 in. | 105.4 cm |
| Width | 23.5 in. | 59.7 cm |
| Height | 25.0 in. | 63.5 cm |
| Weight (bare) | 100 lb | 45.4 kg |
| Pump Inlet | 3/4 ghf | |
| Pump Outlet | 3/8 QC | |
| Inlet Filter | 50 mesh 0.012 in. | 50 mesh 0.3 mm |
| Operating Temperature Range | 40° F - 145° F | 4° C - 63° C |
| Sound Pressure measured @ 3.1 ft (1 m) | 92.2 dB(A) | |
| Sound Power per ISO 3744 | 106.4 dB(A) | |

| Model 4040 HG-BD (25N679, 25N683) | | |
|--|-------------------------------|--|
| | U.S. | Metric |
| Washer | | |
| Maximum Working Pressure | 4000 psi | 27.6 MPa, 276 bar |
| Honda Engine Size | GX390 | |
| Gas Tank Capacity | 6.9 quarts | 6.5 liters |
| Maximum Delivery | 4 gpm | 15.1 lpm |
| Drive | Belt | |
| Hose | 3/8 in. x 50 ft (4200 psi) | 9.5 mm x 15.2 m (29.0 MPa, 290 bar) |
| Dimensions | | |
| Length | 42.0 in. | 106.7 cm |
| Width | 27.0 in. | 68.6 cm |
| Height | 26.0 in. | 66 cm |
| Weight (bare) | 132 lb | 72.1 kg |
| Pump Inlet | 3/4 ghf | |
| Pump Outlet | 3/8 QC | |
| Inlet Filter | 50 mesh 0.012 in. | 50 mesh 0.3 mm |
| Operating Temperature Range | 40° F - 145° F | 4° C - 63° C |
| Sound Pressure measured @ 3.1 ft (1 m) | 92.2 dB(A) | |
| Sound Power per ISO 3744 | 106.4 dB(A) | |

| Model 4040 HC-BD (25N680, 25N684) | | |
|--|-------------------------------|--|
| | U.S. | Metric |
| Washer | | |
| Maximum Working Pressure | 4000 psi | 27.6 MPa, 276 bar |
| Honda Engine Size | GX390 | |
| Gas Tank Capacity | 6.9 quarts | 6.5 liters |
| Maximum Delivery | 4 gpm | 15.1 lpm |
| Drive | Belt | |
| Hose | 3/8 in. x 50 ft (4200 psi) | 9.5 mm x 15.2 m (29.0 MPa, 290 bar) |
| Dimensions | | |
| Length | 42.0 in. | 106.7 cm |
| Width | 27.0 in. | 68.6 cm |
| Height | 26.0 in. | 66 cm |
| Weight (bare) | 132 lb | 60.0 kg |
| Pump Inlet | 3/4 ghf | |
| Pump Outlet | 3/8 QC | |
| Inlet Filter | 50 mesh 0.012 in. | 50 mesh 0.3 mm |
| Operating Temperature Range | 40° F - 145° F | 4° C - 63° C |
| Sound Pressure measured @ 3.1 ft (1 m) | 92.2 dB(A) | |
| Sound Power per ISO 3744 | 106.4 dB(A) | |

CALIFORNIA PROPOSITION 65



WARNING: This product can expose you to chemicals known to the State of California to cause cancer and birth defects or other reproductive harm. For more information go to www.P65Warnings.ca.gov.

Graco Standard Warranty

Graco warrants all equipment referenced in this document which is manufactured by Graco and bearing its name to be free from defects in material and workmanship on the date of sale to the original purchaser for use. With the exception of any special, extended, or limited warranty published by Graco, Graco will, for a period of twelve months from the date of sale, repair or replace any part of the equipment determined by Graco to be defective. This warranty applies only when the equipment is installed, operated and maintained in accordance with Graco's written recommendations.

This warranty does not cover, and Graco shall not be liable for general wear and tear, or any malfunction, damage or wear caused by faulty installation, misapplication, abrasion, corrosion, inadequate or improper maintenance, negligence, accident, tampering, or substitution of non-Graco component parts. Nor shall Graco be liable for malfunction, damage or wear caused by the incompatibility of Graco equipment with structures, accessories, equipment or materials not supplied by Graco, or the improper design, manufacture, installation, operation or maintenance of structures, accessories, equipment or materials not supplied by Graco.

This warranty is conditioned upon the prepaid return of the equipment claimed to be defective to an authorized Graco distributor for verification of the claimed defect. If the claimed defect is verified, Graco will repair or replace free of charge any defective parts. The equipment will be returned to the original purchaser transportation prepaid. If inspection of the equipment does not disclose any defect in material or workmanship, repairs will be made at a reasonable charge, which charges may include the costs of parts, labor, and transportation.

THIS WARRANTY IS EXCLUSIVE, AND IS IN LIEU OF ANY OTHER WARRANTIES, EXPRESS OR IMPLIED, INCLUDING BUT NOT LIMITED TO WARRANTY OF MERCHANTABILITY OR WARRANTY OF FITNESS FOR A PARTICULAR PURPOSE.

Graco's sole obligation and buyer's sole remedy for any breach of warranty shall be as set forth above. The buyer agrees that no other remedy (including, but not limited to, incidental or consequential damages for lost profits, lost sales, injury to person or property, or any other incidental or consequential loss) shall be available. Any action for breach of warranty must be brought within two (2) years of the date of sale.

GRACO MAKES NO WARRANTY, AND DISCLAIMS ALL IMPLIED WARRANTIES OF MERCHANTABILITY AND FITNESS FOR A PARTICULAR PURPOSE, IN CONNECTION WITH ACCESSORIES, EQUIPMENT, MATERIALS OR COMPONENTS SOLD BUT NOT MANUFACTURED BY GRACO. These items sold, but not manufactured by Graco (such as electric motors, switches, hose, etc.), are subject to the warranty, if any, of their manufacturer. Graco will provide purchaser with reasonable assistance in making any claim for breach of these warranties.

In no event will Graco be liable for indirect, incidental, special or consequential damages resulting from Graco supplying equipment hereunder, or the furnishing, performance, or use of any products or other goods sold hereto, whether due to a breach of contract, breach of warranty, the negligence of Graco, or otherwise.

FOR GRACO CANADA CUSTOMERS

The Parties acknowledge that they have required that the present document, as well as all documents, notices and legal proceedings entered into, given or instituted pursuant hereto or relating directly or indirectly hereto, be drawn up in English. Les parties reconnaissent avoir convenu que la rédaction du présente document sera en Anglais, ainsi que tous documents, avis et procédures judiciaires exécutés, donnés ou intentés, à la suite de ou en rapport, directement ou indirectement, avec les procédures concernées.

Graco Information

For the latest information about Graco products, visit www.graco.com.

For patent information, see www.graco.com/patents.

TO PLACE AN ORDER, contact your Graco distributor or call 1-800-690-2894 to identify the nearest distributor.



*All written and visual data contained in this document reflects the latest product information available at the time of publication.
Graco reserves the right to make changes at any time without notice.*

Original instructions. This manual contains English. MM 3A6588

Graco Headquarters: Minneapolis

International Offices: Belgium, China, Japan, Korea

GRACO INC. AND SUBSIDIARIES • P.O. BOX 1441 • MINNEAPOLIS MN 55440-1441 • USA
Copyright 2019, Graco Inc. All Graco manufacturing locations are registered to ISO 9001.

www.graco.com
Revision C, March 2020