

Kits for HVLP Edge II Gun

3A5071A

EN



Important Safety Instructions

Read all warnings and instructions in your sprayer and gun manuals. Be familiar with the controls and the proper usage of the equipment. Save these instructions.

Related Manuals:

3A4967	FinishPro HVLP Sprayer
3A4980	HVLP Edge II/Edge II Plus Gun

Section	Description	Kit #
Pressure Relief	Pressure Relief Procedure , page 1	
Parts List	EDGE II , page 2	
	EDGE II Plus , page 4	
Kits	HVLP Edge II Repair Kit (Seals) , page 6	17P708
	Edge II Radiator Tip Extension Kit , page 8	17P491
	Edge II Cup Over Kits , page 9	Edge II - 17S115 Edge II Plus - 17S116

Pressure Relief Procedure

Before servicing gun, cup pressure must be relieved.



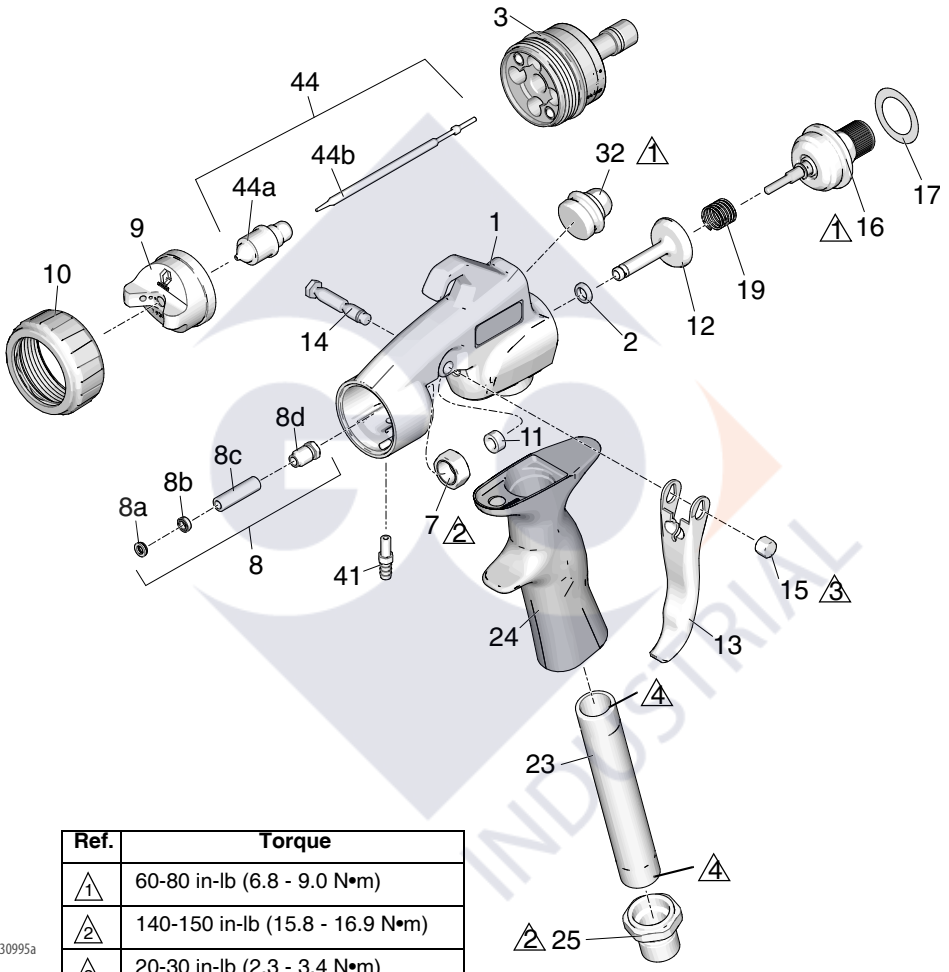
The spray gun cup is pressurized. To reduce the risk of splashing from pressurized fluid, always follow the **Pressure Relief Procedure** before removing cup.

1. Turn HVLP sprayer ON/OFF switch to **OFF** position.
2. Unplug power cord to disconnect power from the HVLP sprayer.
3. Disconnect spray gun from air hose.
4. If using FlexLiner System: Disconnect tubing from gun to relieve pressure in the cup.
5. If using a metal siphon cup: Unlatch cup cover, loosen or remove cup from cover to relieve pressure.

Parts

Parts

EDGE II



Ref.	Torque
△1	60-80 in-lb (6.8 - 9.0 N•m)
△2	140-150 in-lb (15.8 - 16.9 N•m)
△3	20-30 in-lb (2.3 - 3.4 N•m)
△4	Apply adhesive, Ref. 50

ti30995a

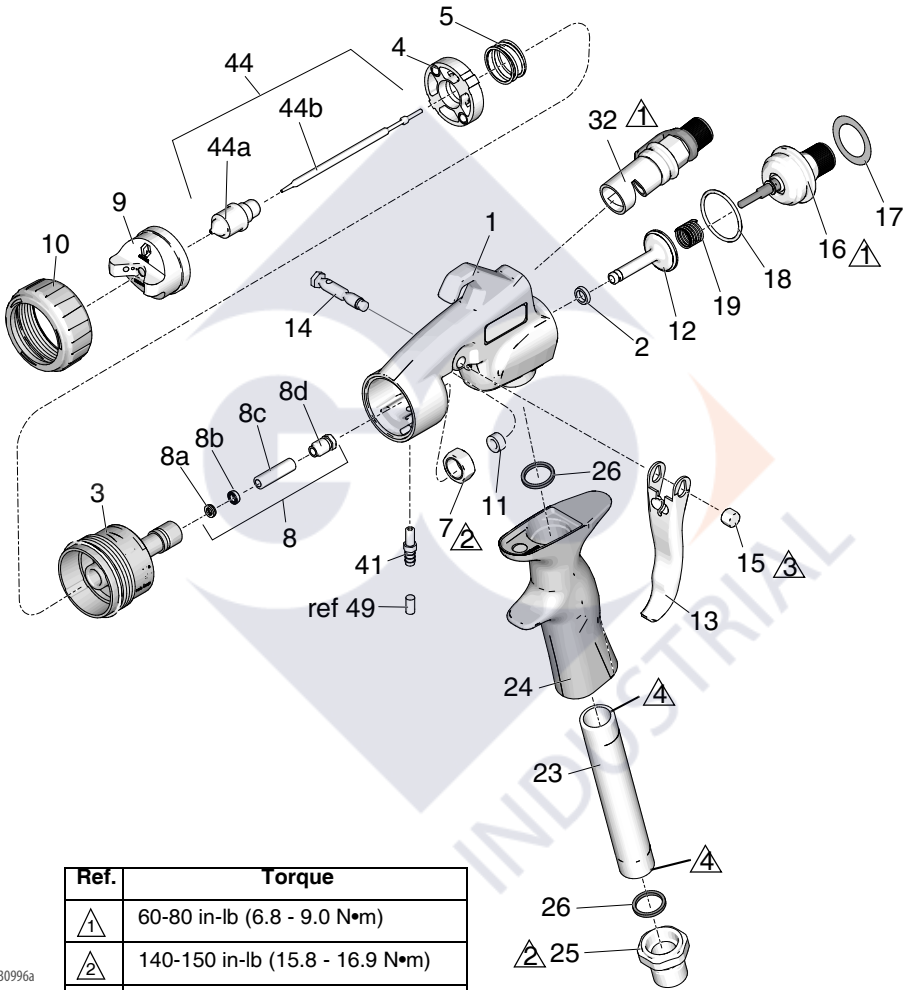
Parts List - EDGE II

Ref Part	Description	Qty	Ref Part	Description	Qty
1	256858 BODY, gun	1	14	280545 PIN, slide, trigger, w/ball	1
2	188493 PACKING, u-cup, gun	1	15	15V848 NUT, slide, trigger, pin	1
3	17P715 HOUSING, nozzle	1	16	17S237 VALVE, fluid (includes 17)	1
7	192348 NUT, head	1	17	17S201 LABEL, fluid/air	1
8	256960 KIT, packing (includes 8a, 8b, 8c, 8d)	1	19	114069 SPRING, compression	1
8a	SPREADER, u-cup	1	23	196463 TUBE, handle	1
8b	PACKING, u-cup	1	24	277950 HANDLE, gun	1
8c	SPACER, packing	1	25	17R207 COUPLER, male	1
8d	NUT, head	1	32	15V844 HOUSING, plug, fluid	1
9	17P709 HOUSING, air, cap	1	41	M70394 STEM, air pressure	1
10	17P492 RING, retaining, cap, air	1	44	FLUID SET; See Fluid Set Selection Guide, page 9.	
11	15V856 NUT, valve	1	44a	NOZZLE, fluid	1
12	257087 VALVE, air (includes 2, 11)	1	44b	NEEDLE	1
13	15V846 TRIGGER	1	50	113500 ADHESIVE	

Parts

Parts

EDGE II Plus



Ref.	Torque
△1	60-80 in-lb (6.8 - 9.0 N•m)
△2	140-150 in-lb (15.8 - 16.9 N•m)
△3	20-30 in-lb (2.3 - 3.4 N•m)
△4	Apply adhesive, Ref. 50

ti30996a

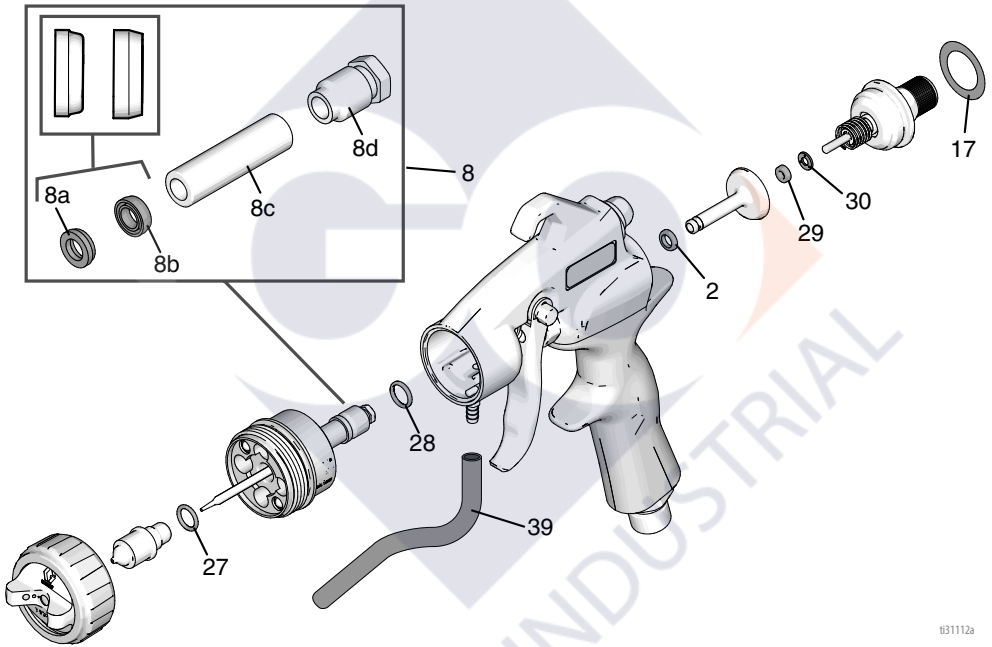
Parts List - EDGE II Plus

Ref Part	Description	Qty	Ref Part	Description	Qty
1	17H061 BODY, gun	1	15	15V848 NUT, slide, trigger, pin	1
2	188493 PACKING, u-cup, gun	1	16	17P718 VALVE, fluid (includes 17, 18)	1
3	17P716 HOUSING, nozzle	1	17	17S202 LABEL, fluid	1
4	17P563 GUIDE, air cap, assembly	1	18	110073 O-RING	1
5	17H063 SPRING, air cap	1	19	114069 SPRING, compression	1
7	192348 NUT, head	1	23	196463 TUBE, handle	1
8	256960 KIT, packing (includes 8a, 8b, 8c, 8d)	1	24	277950 HANDLE, gun	1
8a	SPREADER, u-cup	1	25	17R207 COUPLER, male	1
8b	PACKING, u-cup	1	26	17P879 GASKET, handle	2
8c	SPACER, packing	1	32	17S192 CONTROL, air	1
8d	NUT, head	1	41	M70394 STEM, air pressure	1
9	17P709 HOUSING, air, cap	1	44	FLUID SET; See Fluid Set Selection Guide, page 9.	
10	17P493 RING, retaining, cap, air	1	44a	NOZZLE, fluid	1
11	15V856 NUT, valve	1	44b	NEEDLE	1
12	17P717 VALVE, air (includes 2, 11)	1	49	257099 SCREW, set, sch (model 17P654)	1
13	15V846 TRIGGER	1	50	113500 ADHESIVE	
14	280545 PIN, slide, trigger, w/ball	1			

Parts - Repair Kit 17P708

Parts - Repair Kit 17P708

HVLP Edge II Repair Kit (Seals)



031112a

Parts List - Repair Kit 17P708

Ref Part	Description	Qty	Ref Part	Description	Qty
2	188493 PACKING, u-cup, gun	1	17 17S201	LABEL, fluid/air, Edge II	1
8	256960 KIT, packing (includes 8a, 8b, 8c, 8d)	1	17S202	LABEL, fluid, Edge II Plus	1
8a	SPREADER, u-cup	1	27 111316	PACKING, o-ring	1
8b	PACKING, u-cup	1	28 112085	PACKING, o-ring	1
8c	SPACER, packing	1	29 124585	GASKET, seal, u-cup	1
8d	NUT, head	1	30 277948	WASHER, valve	1
			39 17S108	TUBE, air, cup (Flex- Liner System only)	1



Edge II Radiator Tip Extension Kit

Edge II Radiator Tip Extension Kit

Kit 17P491

Disassembly

1. Perform **Pressure Relief Procedure**, page 1.
2. Remove retaining ring (D) and Edge II air cap.
3. Trigger the gun and remove fluid nozzle.

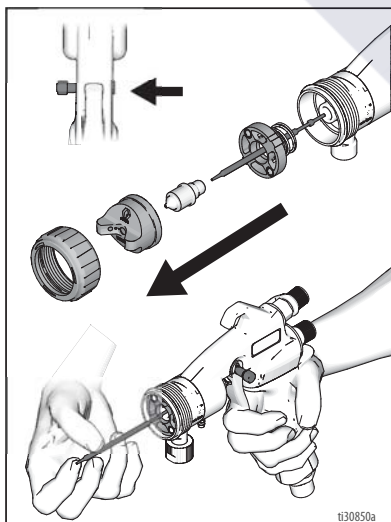
NOTICE

Trigger the gun whenever removing or installing the fluid nozzle. This prevents the fluid nozzle and needle seating surfaces from being damaged.

4. If using Edge II Plus gun, set aside air cap guide and spring.
5. Move trigger slide from SPRAY position to NEEDLE REMOVAL position.
6. Remove needle from front of gun.

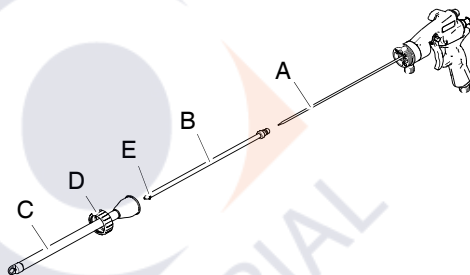
NOTICE

Do not use a pliers to remove needle. Damage to the needle tip will cause leaking at the fluid nozzle.



Assembly with Radiator Tip Extension

1. Install needle (A) into front of gun.
2. Move trigger slide from NEEDLE REMOVAL to SPRAY position.
3. If using Edge II Plus gun, install air cap guide and spring.
4. Trigger the gun and install fluid nozzle (B) over needle (A).
5. Slide air tube (C) over fluid nozzle (B).
6. Slide retaining ring (D) over air tube (C). Hand tighten to front end of gun.



Ref	Part	Description	Qty
A	257106	NEEDLE, radiator	1
B	17S056	NOZZLE, fluid, radiator, Edge II	1
C	17S057	TUBE, air, radiator, Edge II	1
D	17P492	RING, retaining, Edge II	1
	17P493	RING, retaining, Edge II Plus	1
E	116571	CLIP, nozzle	1

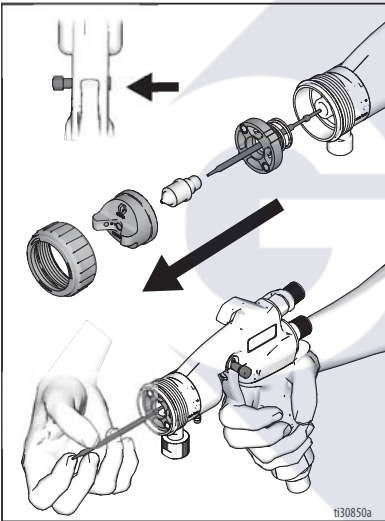
Edge II Cup Over Kits

17S115 - Edge II

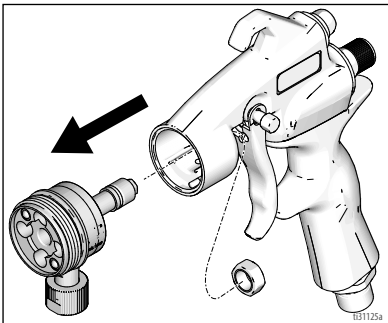
17S116 - Edge II Plus

Disassembly

1. Perform **Pressure Relief Procedure**, page 1.
2. Disconnect gun from cup.
3. Remove retaining ring, air cap, fluid nozzle, and needle from front of gun, see **Disassembly**, page 8.

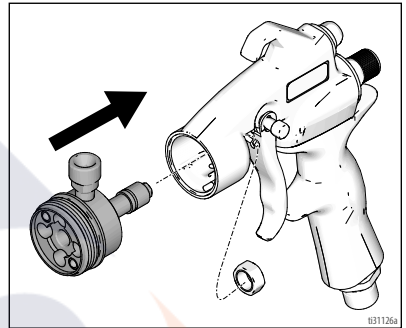


4. Remove nut (7) from back of nozzle housing. Set nut aside.
5. Remove nozzle housing from front of gun.

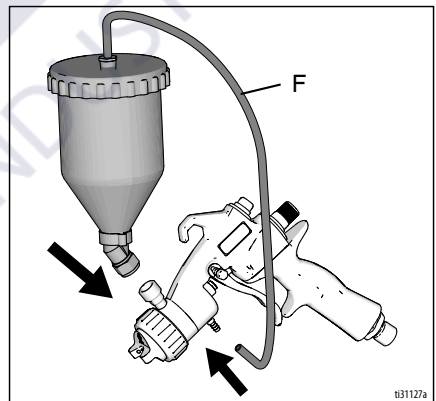


Assembly

1. Install cup-cover nozzle housing, with the cup fitting facing upward.
2. Torque nut to 140-150 in-lb (15.8-16.9 N•m).



3. If using Edge II Plus gun, install air cap guide and spring.
4. Install needle, fluid nozzle, air cap, and retaining ring.
5. Securely connect cup-over to cup fitting on nozzle housing.
6. Connect air tube (F) to gun barb fitting.



Ref	Part	Description	Qty.
F	244134	TUBE, kit (5 pack)	1

Graco Information

For the latest information about Graco products, visit www.graco.com.

For patent information, see www.graco.com/patents.

TO PLACE AN ORDER, contact your Graco distributor or call 1-800-690-2894 to identify the nearest distributor.





All written and visual data contained in this document reflects the latest product information available at the time of publication.

Graco reserves the right to make changes at any time without notice.

Original instructions. This manual contains English. MM 3A5071

Graco Headquarters: Minneapolis

International Offices: Belgium, China, Japan, Korea

GRACO INC. AND SUBSIDIARIES • P.O. BOX 1441 • MINNEAPOLIS MN 55440-1441 • USA

Copyright 2014, Graco Inc. All Graco manufacturing locations are registered to ISO 9001.

www.graco.com

Revision A, March 2017