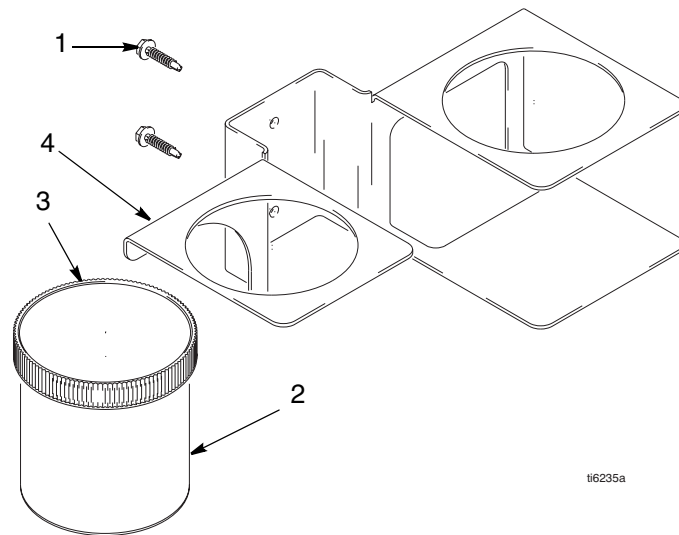


FieldLazer Cup Holder Kit 287584

311009C

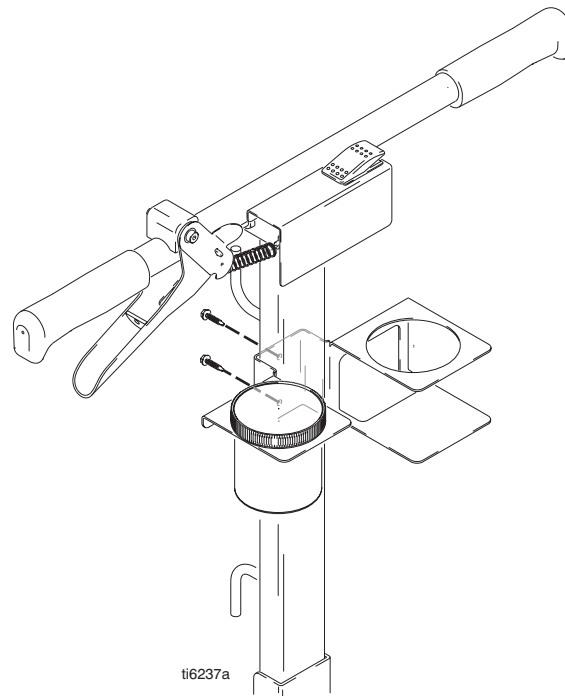


Read instructions and warnings in 310810



Ref	Part	Description	Qty
1	122667	SCREW, hex, washer hd	2
2	119293	JAR, 6 oz	1
3	119316	LID, 6 oz	1
4	15F327	HOLDER, cup	1

PROVEN QUALITY. LEADING TECHNOLOGY.



-
- 1 Position cup holder as shown to use as a template
 - 2 Drill self-tapping screws to install cup holder
-

TO PLACE AN ORDER, contact your Graco distributor, or call **1-800-690-2894** to identify the nearest distributor.

All written and visual data contained in this document reflects the latest product information available at the time of publication. Graco reserves the right to make changes at any time without notice.

Graco Headquarters: Minneapolis
International Offices: Belgium, Korea, China, Japan

GRACO INC. P.O. BOX 1441 MINNEAPOLIS, MN 55440-1441

<http://www.graco.com>

PRINTED IN U.S.A. 12/2004, Revised 2/2005