

Operation, Parts



# Inline HD™ Texture Gun

309495H

EN

**Waterbase Compatible**

4000 psi (28 MPa, 280 bar) Maximum Working Pressure

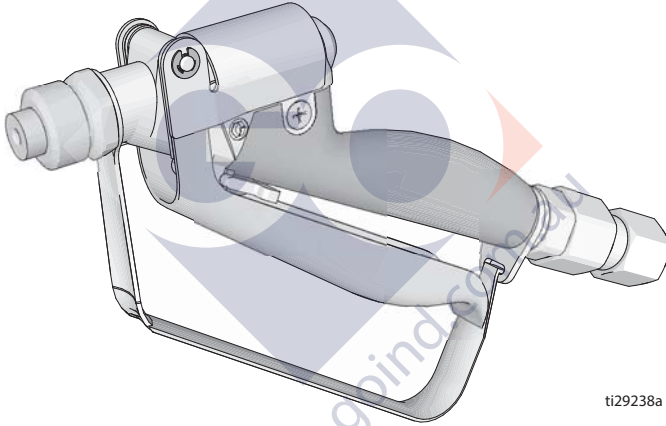
## Model 245820, Series C

Ball and valve needle – abrasive material compatible



### Important Safety Instructions

Read all warnings and instructions in this manual. Refer to your sprayer instruction manual for Pressure Relief, priming and spray instructions. Save these instructions.



ti29238a

## Contents

<b>Warnings</b> .....	<b>.2</b>
<b>Operation</b> .....	<b>.4</b>
Pressure Relief Procedure .....	.4
Gun Trigger Lock .....	.4
<b>Repair</b> .....	<b>.8</b>
<b>Parts</b> .....	<b>.12</b>
<b>Technical Specifications</b> .....	<b>.13</b>

PROVEN QUALITY. LEADING TECHNOLOGY.



## Warnings

The following warnings are for the setup, use, grounding, maintenance, and repair of this equipment. The exclamation point symbol alerts you to a general warning and the hazard symbols refer to procedure-specific risks. When these symbols appear in the body of this manual or on warning labels, refer back to these Warnings. Product-specific hazard symbols and warnings not covered in this section may appear throughout the body of this manual where applicable.

### **WARNING**



#### **SKIN INJECTION HAZARD**

High-pressure spray is able to inject toxins into the body and cause serious bodily injury. In the event that injection occurs, **get immediate surgical treatment.**

- Do not aim the gun at, or spray any person or animal.
- Keep hands and other body parts away from the discharge. For example, do not try to stop leaks with any part of the body.
- Always use the nozzle tip guard. Do not spray without nozzle tip guard in place.
- Use Graco nozzle tips.
- Use caution when cleaning and changing nozzle tips. In the case where the nozzle tip clogs while spraying, follow the **Pressure Relief Procedure** for turning off the unit and relieving the pressure before removing the nozzle tip to clean.
- Equipment maintains pressure after power is shut off. Do not leave the equipment energized or under pressure while unattended. Follow the **Pressure Relief Procedure** when the equipment is unattended or not in use, and before servicing, cleaning, or removing parts.
- Check hoses and parts for signs of damage. Replace any damaged hoses or parts.
- This system is capable of producing 4000 psi. Use Graco replacement parts or accessories that are rated a minimum of 4000 psi.
- Always engage the trigger lock when not spraying. Verify the trigger lock is functioning properly.
- Verify that all connections are secure before operating the unit.
- Know how to stop the unit and bleed pressure quickly. Be thoroughly familiar with the controls.



#### **FIRE AND EXPLOSION HAZARD**

Flammable fumes, such as solvent and paint fumes, in **work area** can ignite or explode. Paint or solvent flowing through the equipment can cause static sparking. To help prevent fire and explosion:

- Use equipment only in well ventilated area.
- Eliminate all ignition sources; such as pilot lights, cigarettes, portable electric lamps, and plastic drop cloths (potential static sparking).
- Ground all equipment in the work area. See **Grounding** instructions.
- Never spray or flush solvent at high pressure.
- Keep work area free of debris, including solvent, rags and gasoline.
- Do not plug or unplug power cords, or turn power or light switches on or off when flammable fumes are present.
- Use only grounded hoses.
- Hold gun firmly to side of grounded pail when triggering into pail. Do not use pail liners unless they are anti-static or conductive.
- **Stop operation immediately** if static sparking occurs or you feel a shock. Do not use equipment until you identify and correct the problem.
- Keep a working fire extinguisher in the work area.



## **WARNING**



### **EQUIPMENT MISUSE HAZARD**

Misuse can cause death or serious injury.

- Always wear appropriate gloves, eye protection, and a respirator or mask when painting.
- Do not operate or spray near children. Keep children away from equipment at all times.
- Do not overreach or stand on an unstable support. Keep effective footing and balance at all times.
- Stay alert and watch what you are doing.
- Do not operate the unit when fatigued or under the influence of drugs or alcohol.
- Do not kink or over-bend the hose.
- Do not expose the hose to temperatures or to pressures in excess of those specified by Graco.
- Do not use the hose as a strength member to pull or lift the equipment.
- Do not spray with a hose shorter than 25 feet.
- Do not alter or modify equipment. Alterations or modifications may void agency approvals and create safety hazards.
- Make sure all equipment is rated and approved for the environment in which you are using it.



### **PRESSURIZED ALUMINUM PARTS HAZARD**

Use of fluids that are incompatible with aluminum in pressurized equipment can cause serious chemical reaction and equipment rupture. Failure to follow this warning can result in death, serious injury, or property damage.

- Do not use 1,1,1-trichloroethane, methylene chloride, other halogenated hydrocarbon solvents or fluids containing such solvents.
- Do not use chlorine bleach.
- Many other fluids may contain chemicals that can react with aluminum. Contact your material supplier for compatibility.



### **PERSONAL PROTECTIVE EQUIPMENT**

Wear appropriate protective equipment when in the work area to help prevent serious injury, including eye injury, hearing loss, inhalation of toxic fumes, and burns. This protective equipment includes but is not limited to:

- Protective eyewear, and hearing protection.
- Respirators, protective clothing, and gloves as recommended by the fluid and solvent manufacturer.

### **CALIFORNIA PROPOSITION 65**

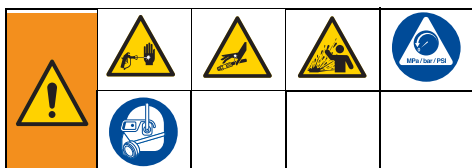
This product contains a chemical known to the State of California to cause cancer, birth defects or other reproductive harm. Wash hands after handling.

## Operation

### Pressure Relief Procedure



Follow the Pressure Relief Procedure whenever you see this symbol.



This equipment stays pressurized until pressure is manually relieved. To help prevent serious injury from pressurized fluid, such as skin injection or splashed fluid, follow the **Pressure Relief Procedure** whenever sprayer is stopped and before sprayer is cleaned or checked, and before equipment is serviced.

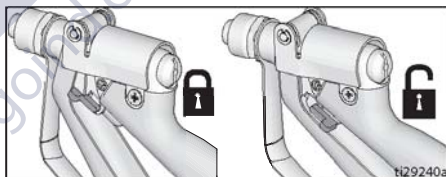
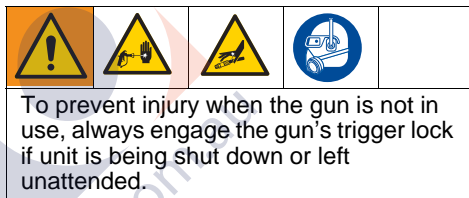
1. Turn sprayer **OFF**.
2. Engage the trigger lock. Always engage the trigger lock when sprayer is stopped to prevent the gun from being triggered accidentally.
3. Turn pressure control knob to lowest setting.
4. Put drain tube into a waste pail and turn Prime/Spray valve in PRIME position (drain) to relieve pressure.
5. Hold the gun firmly to a pail. Point gun into pail. Disengage the trigger lock and trigger the gun to relieve pressure.



ti29239a

6. Engage the trigger lock.
7. If you suspect the spray tip or hose is clogged or that pressure has not been fully relieved:
  - a. **VERY SLOWLY** loosen the tip guard retaining nut or the hose end coupling to relieve pressure gradually.
  - b. Loosen the nut or coupling completely.
  - c. Clear airless hose or spray tip obstruction. See **Clear Tip Clog**, page 7.

### Gun Trigger Lock







## Setup

### Connect Gun to Sprayer

Make sure sprayer is turned off and unplugged from power source. Refer to your sprayer instruction manual for priming and spray instructions.

1. Attach Graco airless hose to sprayer fluid outlet.
2. Attach other end of hose to gun swivel. Use two wrenches (one on the swivel and one on the hose), to tighten all connections securely.
3. Refer to sprayer instruction manual for priming instructions.

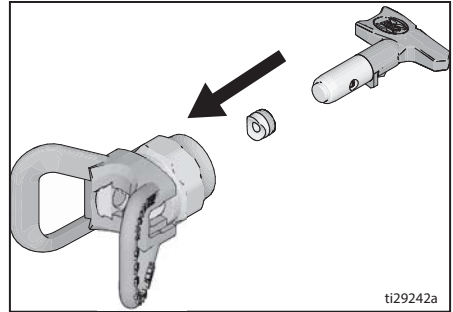
			
<p>If equipment has recently been operated <b>Pressure Relief Procedure</b>, page 4, and engage trigger lock. To avoid serious injury from skin injection, do not place your hand in front of the spray tip when installing or removing the spray tip.</p>			

### Installing Tip and Tip Guard on Gun

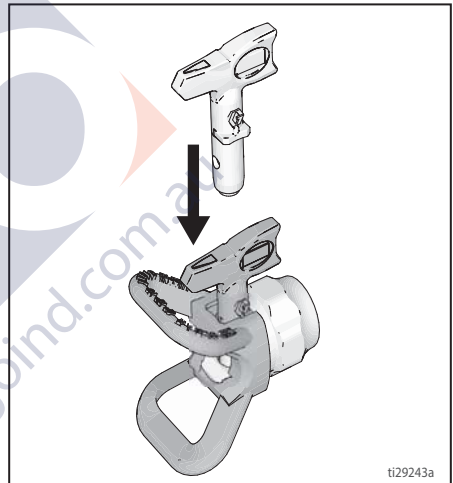
To prevent spray tip leaks make certain spray tip and tip guard are installed properly.

1. Perform **Pressure Relief Procedure**, page 4.
2. Engage trigger lock.
3. Verify spray tip and tip guard parts are assembled in the order shown.

- a. Use spray tip to align gasket and seal in the tip guard.

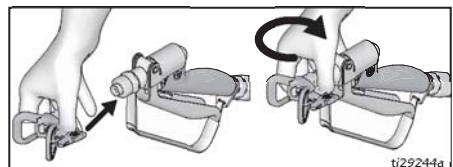
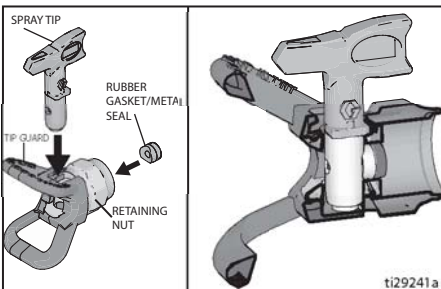


- b. Spray tip must be pushed all the way into the tip guard. Turn spray tip to push down.



- c. Turn the arrow shaped handle on the spray tip forward to the spray position.

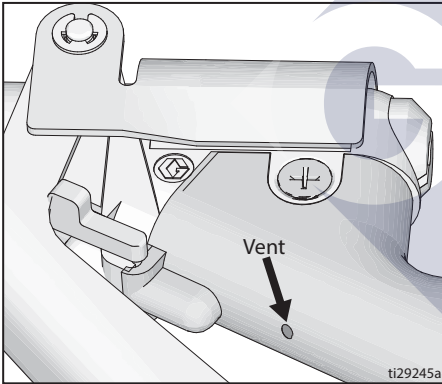
4. Screw spray tip and tip guard assembly onto the gun and tighten.



# Operation

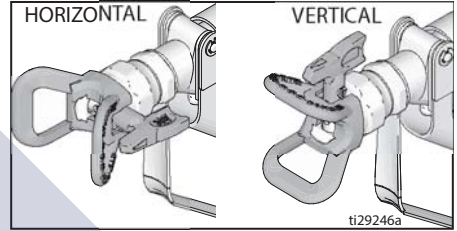
## Spraying

1. Unlock trigger lock.
2. Be sure the arrow shaped tip faces forward (spray).
3. Hold gun perpendicular and approximately 12-inches (30 cm) from surface. Move gun first, then pull gun trigger to spray a test pattern.
4. Slowly increase pump pressure until coverage is uniform and even (see sprayer instruction manual for additional information).
5. Periodically inspect gun handle vent for fluid buildup, this could indicate an internal leak. Service fluid tube and o-ring as necessary.



## Aligning Spray

1. Perform **Pressure Relief Procedure**, page 4.
2. Loosen tip guard retaining nut.
3. Align tip guard horizontally to spray a horizontal pattern.
4. Align tip guard vertically to spray a vertical pattern.

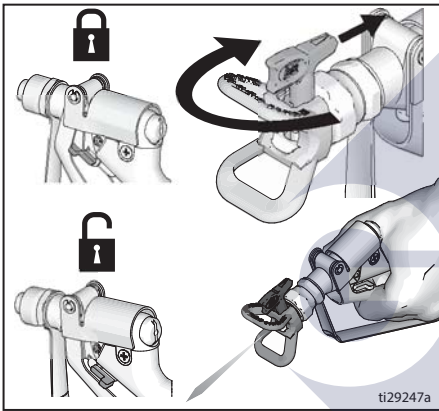


## Clear Tip Clog

In the event that particles or debris clog the spray tip, this sprayer is designed with a reversible spray tip that quickly and easily clears the particles without disassembling the sprayer.

1. Engage trigger lock. Rotate spray tip to unclog position. Disengage trigger lock. Trigger gun at waste area to clear clog.

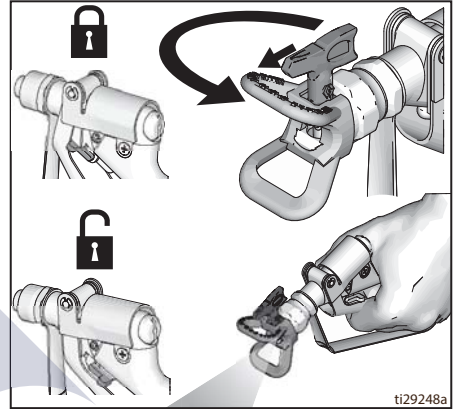
### UNCLOG



**NOTE:** If spray tip is difficult to rotate when turning to the unclog position perform, **Pressure Relief Procedure**, page 4, then turn Prime/Spray valve to spray position and repeat step 1.

2. Engage trigger lock. Rotate spray tip back to spray position. Disengage trigger lock and continue spraying.

### SPRAY









## Cleanup

Flush gun after each work shift and store in a dry location. Do not leave the gun or any parts in water or cleaning solvents.

## Maintenance

<p>Before performing any maintenance on the gun, read all warnings in this manual and the equipment manual.</p>				

## Repair

Before performing any repairs on the gun, read all warnings in this manual and the equipment manual.

1. Perform **Pressure Relief Procedure**, page 4, and engage trigger lock.
2. When removing gun from hose, hold hex end of fluid tube assembly (19) securely to avoid loosening fluid tube from gun body.
3. If fluid continues to flow after trigger is released, gun valve may need adjustment, be obstructed or damaged, or valve stem (24), seat (26), or seal (3) may be worn or damaged.
  - a. Adjust valve or spring tension as instructed on page 8.
  - b. Replace valve seal, stem, or seat as instructed on page 10.
  - c. To inspect valve for obstruction or damage, disassemble gun as instructed on page 10. Clean and inspect parts. Replace any worn or damaged parts and assemble gun as instructed on page 10.
4. Follow torque, sealant and lubrication notes.

After adjusting or servicing the gun make certain fluid does not flow or spray when trigger lock is engaged. If fluid does flow or spray, gun is not assembled properly or

trigger lock is damaged. Reassemble gun or take to your nearest Graco distributor. Do not use the gun until problem is corrected.

## Valve Adjustment

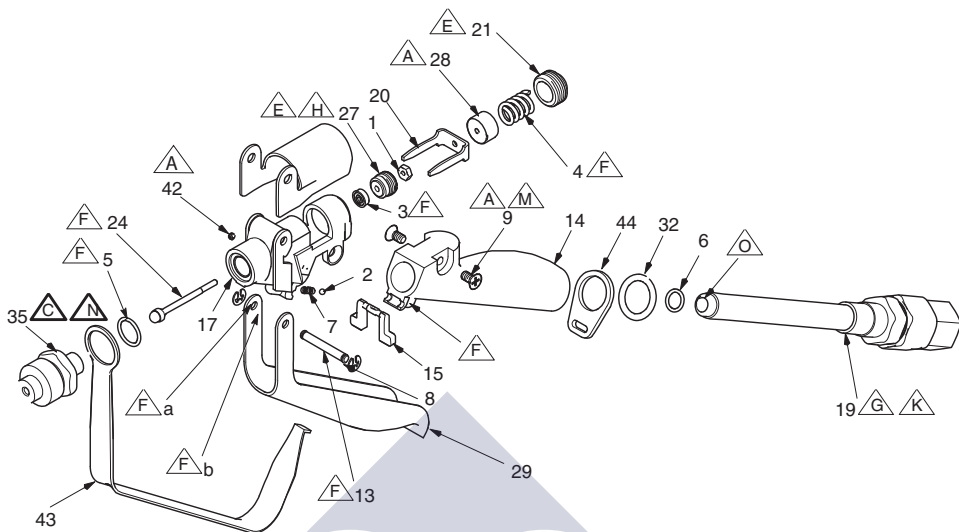
Trigger travel and valve opening is factory set to 1 in. (25.4 mm). Use following procedure to adjust setting,

1. Perform **Pressure Relief Procedure**, page 4, and engage trigger lock.
2. Disconnect gun from hose.
3. Loosen stem nut (1) and spring housing (28).
4. Insert a 1/8 hex allen wrench through hole in spring adjustment screw (21) and into spring housing (28).
5. Turn spring housing (28) and stem nut (1) to change trigger travel and size of valve opening.
6. Tighten stem nut (1) to set adjustment.
7. Adjust spring adjustment screw (21) to desired trigger pull force.

## Spring Tension Adjustment

1. Perform **Pressure Relief Procedure**, page 4, and engage trigger lock.
2. Disconnect gun from hose.
3. Turn spring adjustment screw (21) as needed until spring force is adjusted to close valve.





ti13869b

## NOTES:

Ref.	Description
A	Torque to 6–10 in-lb (0.68–1.13 N•m)
B	Torque to 26–32 ft-lb (35.3–43.4 N•m)
E	Apply lithium base grease to threads
F	Apply lithium base grease
G	When removing fluid hose, use wrench on end of fluid tube assembly (19) hex to avoid loosening fluid tube assembly (19)
H	Torque to 100–125 in-lb (11.3–14.1 N•m)
K	Torque to 200–250 in-lb (22.6–28.2 N•m)
M	Apply low strength anaerobic sealant (blue)
N	Apply high strength anaerobic sealant (red)
O	Apply anti-seize lubricant to threads

## Valve Stem and Seal Replacement

If fluid leaks past v-block seal (3), v-block seal or valve stem (24) may be worn or damaged. Use following procedure to replace v-block seal or valve stem.

1. Perform **Pressure Relief Procedure**, page 4, and engage trigger lock.
2. Disconnect gun from hose.
3. Unscrew spring retainer (21) and remove spring (4).
4. Unscrew spring housing (28) with a 1/8 inch hex allen wrench.
5. Unscrew valve seat (35).
6. Remove adjustment bracket (20) and stem nut (1) from stem.
7. Remove valve stem (24).
8. Remove seal retainer (27) and v-block seal (3). Replace v-block seal.
9. Secure gun body (17) in an assembly fixture.
10. Lubricate and install v-block seal (3) into gun body (17) with lips of seal facing into housing.
11. Lubricate and torque seal retainer (27) into gun body (17) to 100–125 in-lb (11.3–14.1 N•m).

### NOTICE

Installing valve stem (24) without turning it clockwise could damage v-block seal and result in fluid leakage.

12. Lubricate and install valve stem threads (24) into gun body (17). Thread stem assembly through v-block seal (3).
13. Thread nut (1) all way onto valve stem (24).
14. Install adjustment bracket (20) and spring housing (28) onto valve stem (24).
15. Apply high strength anaerobic sealant (red) to threads on valve seat (35). Torque valve seat into gun body (17) to 26–32 ft-lb (35.3–43.4 N•m).

16. Lubricate and install spring (4) and spring retainer threads (21) in gun body (17).
17. Insert a 1/8 inch hex allen wrench through spring retainer (21) and into spring housing (28). Adjust trigger travel and valve opening to desired position.
18. Tighten stem nut (1) to set adjustment.
19. Adjust spring adjustment screw (21) to desired trigger pull force.

## Gun Disassembly and Assembly

### Disassembly

1. Perform **Pressure Relief Procedure**, page 4, and engage trigger lock.
2. See **Valve Stem and Seal Replacement** and perform Steps 2 – 7.
3. Remove two retaining rings (8), rod (13) and trigger (29).
4. Unscrew setscrew (42), then unscrew fluid tube assembly (19) from gun body (17).

### NOTICE

To avoid loosening connections and damaging gun, grip gun body (17), not handle (14), when removing fluid tube assembly (19).

5. Remove gun handle screws (9), gun handle (14), trigger lock (15), ball (2) and spring (7).
6. Remove seal retainer (27), seal (3) and o-rings (5 and 6).

### Assembly

1. See **Valve Stem and Seal Replacement** and perform Steps 9 – 11.
2. Lubricate o-ring (6) and install into gun body.
3. See **Valve Stem and Seal Replacement** and perform Steps 12 – 14.

4. Lubricate trigger pivot holes (a) bracket guide (b), and rod (13).
5. Install trigger (29) with rod (13) and retaining rings (8).
6. Apply high strength anaerobic sealant (red) to threads on valve seat (35). Torque valve seat into gun body (17) to 26–32 ft-lb (35.3–43.4 N•m).
7. Lubricate trigger lock housing area (c) and apply low strength anaerobic sealant to screws (9).
8. Install spring (7) into gun body (17). Place ball (2) in center of spring. (Use small amount of grease to hold ball to spring.)
9. Align trigger lock detent (d) with ball (2). Compress ball (2) and spring (7) with trigger lock (15) until trigger lock is seated in housing.
10. While holding trigger lock (15) in place, install gun handle (14). Secure gun

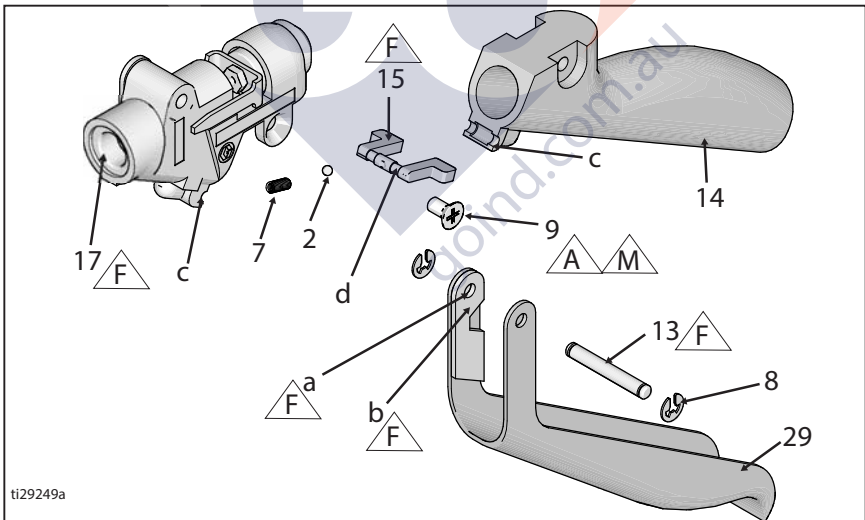
handle with screws (9). Torque screws to 6–10 in-lb (7.9–9.0 N•m).

11. Install fluid tube assembly (19) through gun handle (14) and screw it into gun body (17). Torque fluid tube assembly (19) to 200–250 in-lb (22.6–28.2 N•m). Secure fluid tube assembly with setscrew (42), and torque setscrew to 6–10 in-lb (0.7–1.13 N•m).

## NOTICE

To avoid loosening connections and damaging gun, grip gun body (17), not handle (14), when installing fluid tube assembly (19).

12. Adjust free travel of trigger as instructed under **Valve Adjustment**, page 8.
13. See **Valve Stem and Seal Replacement** and perform Steps 15 – 19.



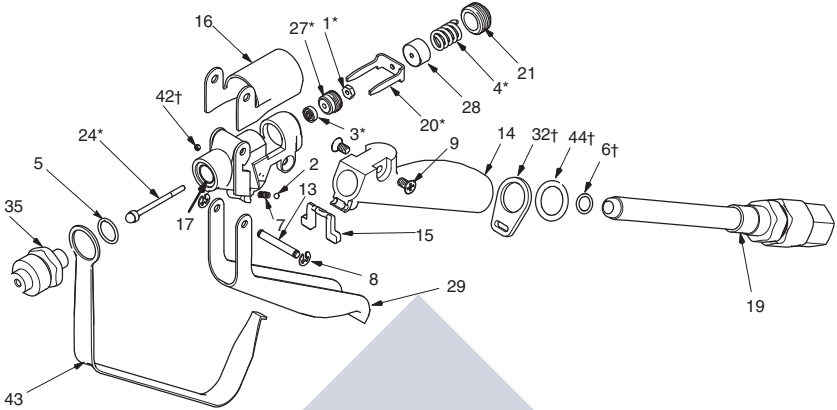
## NOTES:

Ref.	Description
	Torque to 6–10 in-lb (0.68–1.13 N•m)
	Apply lithium base grease

Ref.	Description
	Apply low strength anaerobic sealant (blue)

## Parts

Model 245820



ti29236a

Ref. Part	Description	Qty.	Ref. Part	Description	Qty.
1*	100975 NUT, hex, 5-40	1	21	118247 SCREW, spring adjustment	1
2	102233 BALL, stainless steel	1	24*	236234 STEM, valve	1
3*	102921 SEAL, v-block	1	27*	188271 RETAINER, seal	1
4*	129864 SPRING, compression	1	28	188275 Housing, spring	1
5*	102982 PACKING, o-ring	1	29	237604 TRIGGER	1
6†	111457 PACKING, o-ring	1	32†	155332 O-ring	1
7	111902 SPRING, compression	1	35*	245655 SEAT, valve	1
8	102410 RING, retaining	2	42†	103187 SETSCREW	1
9	111904 SCREW, machine, flathead	2	43	15A555 GUARD, trigger	1
13	15Y468 ROD, trigger	1	44†	15A556 RETAINER, guard	1
14	188231 Handle, housing plastic	1	45▲	222385 CARD, medical alert (not shown)	1
15	188232 LOCK, trigger	1			
16	15Y469 COVER, gun	1			
17	15A977 HOUSING, fluid, stainless steel	1			
19	24B570 KIT, fluid tube swivel assembly	1			
20*	188246 LINK	1			

\* Parts included in Repair Kit 245808, purchased separately.

† Parts included in Repair Kit 24B570, purchased separately.

▲ Replacement Warning labels, tags and cards are available at no cost.

## Technical Specifications

245820 Texture Gun		
	US	Metric
Maximum working pressure	4000 psi	28 MPa, 280 bar
Outlet port size	7/8-14	
Inlet port size	1/2 npt(f)	
Valve orifice with carbide ball	0.19 in. 0.25 in.	4.83 mm 6.35 mm
Dimensions		
Height	5.60 in.	142.24 mm
Length	11.40 in.	289.56 mm
Width	1.2 in.	30.48 mm
Weight	33.79 oz.	958 g
Materials of Construction		
Wetted materials on all models	Stainless Steel, carbide, Fluoroelastomer, PTFE, and Polyurethane	

# Graco Standard Warranty

## Graco Standard Warranty

Graco warrants all equipment referenced in this document which is manufactured by Graco and bearing its name to be free from defects in material and workmanship on the date of sale to the original purchaser for use. With the exception of any special, extended, or limited warranty published by Graco, Graco will, for a period of twelve months from the date of sale, repair or replace any part of the equipment determined by Graco to be defective. This warranty applies only when the equipment is installed, operated and maintained in accordance with Graco's written recommendations.

This warranty does not cover, and Graco shall not be liable for general wear and tear, or any malfunction, damage or wear caused by faulty installation, misapplication, abrasion, corrosion, inadequate or improper maintenance, negligence, accident, tampering, or substitution of non-Graco component parts. Nor shall Graco be liable for malfunction, damage or wear caused by the incompatibility of Graco equipment with structures, accessories, equipment or materials not supplied by Graco, or the improper design, manufacture, installation, operation or maintenance of structures, accessories, equipment or materials not supplied by Graco.

This warranty is conditioned upon the prepaid return of the equipment claimed to be defective to an authorized Graco distributor for verification of the claimed defect. If the claimed defect is verified, Graco will repair or replace free of charge any defective parts. The equipment will be returned to the original purchaser transportation prepaid. If inspection of the equipment does not disclose any defect in material or workmanship, repairs will be made at a reasonable charge, which charges may include the costs of parts, labor, and transportation.

**THIS WARRANTY IS EXCLUSIVE, AND IS IN LIEU OF ANY OTHER WARRANTIES, EXPRESS OR IMPLIED, INCLUDING BUT NOT LIMITED TO WARRANTY OF MERCHANTABILITY OR WARRANTY OF FITNESS FOR A PARTICULAR PURPOSE.**

Graco's sole obligation and buyer's sole remedy for any breach of warranty shall be as set forth above. The buyer agrees that no other remedy (including, but not limited to, incidental or consequential damages for lost profits, lost sales, injury to person or property, or any other incidental or consequential loss) shall be available. Any action for breach of warranty must be brought within two (2) years of the date of sale.

**GRACO MAKES NO WARRANTY, AND DISCLAIMS ALL IMPLIED WARRANTIES OF MERCHANTABILITY AND FITNESS FOR A PARTICULAR PURPOSE, IN CONNECTION WITH ACCESSORIES, EQUIPMENT, MATERIALS OR COMPONENTS SOLD BUT NOT MANUFACTURED BY GRACO.** These items sold, but not manufactured by Graco (such as electric motors, switches, hose, etc.), are subject to the warranty, if any, of their manufacturer. Graco will provide purchaser with reasonable assistance in making any claim for breach of these warranties.

In no event will Graco be liable for indirect, incidental, special or consequential damages resulting from Graco supplying equipment hereunder, or the furnishing, performance, or use of any products or other goods sold hereto, whether due to a breach of contract, breach of warranty, the negligence of Graco, or otherwise.

### **FOR GRACO CANADA CUSTOMERS**

The Parties acknowledge that they have required that the present document, as well as all documents, notices and legal proceedings entered into, given or instituted pursuant hereto or relating directly or indirectly hereto, be drawn up in English. Les parties reconnaissent avoir convenu que la rédaction du présente document sera en Anglais, ainsi que tous documents, avis et procédures judiciaires exécutés, donnés ou intentés, à la suite de ou en rapport, directement ou indirectement, avec les procédures concernées.

## Graco Information

For the latest information about Graco products, visit [www.graco.com](http://www.graco.com).

For patent information, see [www.graco.com/patents](http://www.graco.com/patents).

**TO PLACE AN ORDER**, contact your Graco distributor or call 1-800-690-2894 to identify the nearest distributor.





*All written and visual data contained in this document reflects the latest product information available at the time of publication.*

*Graco reserves the right to make changes at any time without notice.*

Original instructions. This manual contains English. MM 309495

**Graco Headquarters:** Minneapolis

**International Offices:** Belgium, China, Japan, Korea

**GRACO INC. AND SUBSIDIARIES • P.O. BOX 1441 • MINNEAPOLIS MN 55440-1441 • USA**

**Copyright 2002, Graco Inc. All Graco manufacturing locations are registered to ISO 9001.**

www.graco.com

Revision H, June 2017