

# Instructions - Parts List



## Important Safety Instructions

Read all warnings and instructions in this manual.  
Save these instructions.

# Water Sandblaster Kit

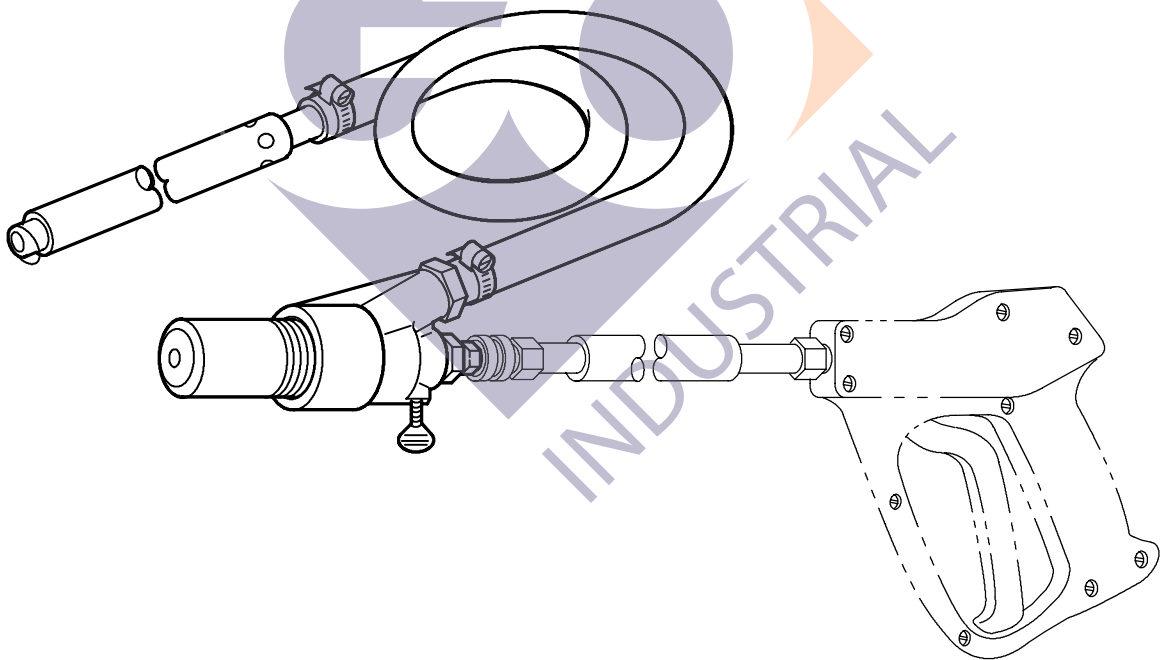
308544D

**- For suction fed injection of sand into the water stream  
for abrasive cleaning -**

## Model 244766

*5500 psi (39 MPa, 385 bar) Maximum Working Pressure*

Gun and wand not included.



PROVEN QUALITY. LEADING TECHNOLOGY.

# Symbols

## Warning Symbol







This symbol alerts you to the possibility of serious injury or death if you do not follow the instructions.

## Caution Symbol



This symbol alerts you to the possibility of damage to or destruction of equipment if you do not follow the instructions.

# ! WARNING

	<p><b>FUEL HAZARD</b></p> <p>The fuel used in this pressure washer is combustible. When spilled on a hot surface it can ignite and cause a fire.</p> <p><b>Do not fill fuel tank while engine is running or hot.</b></p>
	<p><b>EXHAUST HAZARD</b></p> <p>The engine exhaust contains poisonous carbon monoxide, which is colorless and odorless. Do not operate this equipment in a closed building.</p>
 <p>INSTRUCTIONS</p>	<p><b>EQUIPMENT MISUSE HAZARD</b></p> <p>Equipment misuse can cause the equipment to rupture or malfunction and result in serious injury.</p> <ul style="list-style-type: none"> <li>● Do not alter or modify this equipment. Use only genuine Graco parts and accessories.</li> <li>● Check equipment daily. Repair or replace worn or damaged parts immediately.</li> <li>● Do not exceed the maximum working pressure of the lowest-rated system component. See <b>Technical Data</b> for the maximum working pressure of this equipment.</li> <li>● Use fluids and solvents that are compatible with the equipment wetted parts. See the <b>Technical Data</b> section of all equipment manuals. Read the fluid and solvent manufacturer's warnings.</li> <li>● Follow <b>pressure relief</b> before cleaning, checking or servicing this equipment.</li> <li>● Wear ear and eye protection when you operate this equipment.</li> </ul>
	<p><b>TOXIC FLUID HAZARD</b></p> <p>Hazardous fluid or toxic fumes can cause serious injury or death if splashed in the eyes or on the skin, inhaled, or swallowed.</p> <ul style="list-style-type: none"> <li>● Know the specific hazards of the fluid you are using. Read the fluid manufacturer's warnings.</li> <li>● Store hazardous fluid in an approved container. Dispose of hazardous fluid according to all local, state, and national guidelines.</li> <li>● Always wear protective eyewear, gloves, clothing, and respirator as recommended by the fluid and solvent manufacturer.</li> </ul>

# WARNING



## INJECTION HAZARD

Spray from the gun, leaks, or ruptured components can inject fluid into your body and cause extremely serious injury, including the need for amputation. Fluid splashed in the eyes or on the skin can also cause serious injury.

- Fluid injected into the skin is a serious injury. The injury might look like just a cut, but it is a serious injury. **Get immediate surgical treatment.**
- Do not point the gun at anyone or at any part of the body.
- Do not put your hand or fingers over the spray tip.
- Do not stop or deflect leaks with your hand, body, glove or rag.
- Do not “blow back” fluid; this is not an air spray system.
- Follow the **Pressure Relief Procedure** if the spray tip clogs and before you clean, check, or service this equipment.
- Tighten all fluid connections before you operate this equipment.
- Engage gun safety whenever you stop spraying.
- Check the hoses, tubes, and couplings daily. Replace worn or damaged parts immediately. Do not repair high-pressure couplings; you must replace the entire hose.



# Installation

## WARNING

### Pressure Relief Procedure

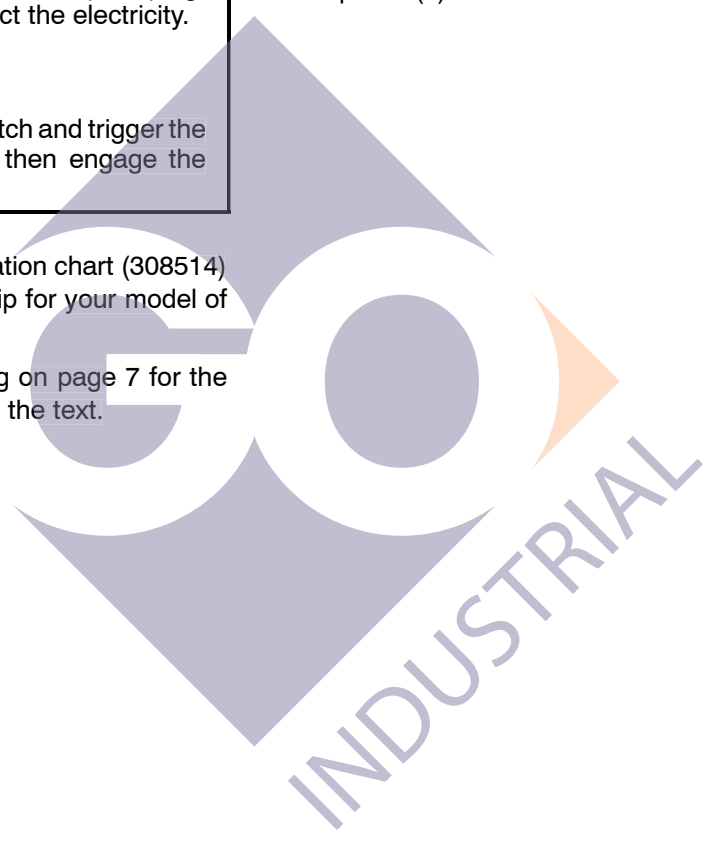
To reduce the risk of serious bodily injury, including fluid injection and splashing in the eyes or on the skin, always follow this procedure whenever you stop spraying for more than 10 minutes, when shutting down, and before checking or repairing any part of the system.

1. Engage the trigger safety latch.
2. Turn the sprayer off.
3. Remove the ignition cable from the spark plug, disconnect the air or disconnect the electricity.
4. Shut off the water supply.
5. Disengage the trigger safety latch and trigger the gun to relieve pressure, and then engage the trigger safety latch again.

1. Remove the tip and male quick coupler from the gun assembly. *Keep these parts for reinstallation on the gun after sandblasting.*
2. Assemble the spray tip (not supplied with kit), to the tip adapter (4) and male quick coupler (5). Use pipe sealant on all threads. Connect the assembly to the female quick coupler on the gun.
3. Assemble the mixer housing (2) to the adapter (4). Be sure that the sand inlet is located at the top of the mixing head. See the Parts Drawing.
4. Attach the sand hose (10) to the mixing head.
5. Attach the other end of the sand hose to the sand probe (1).

**NOTE:** Check the spray tip application chart (308514) to order the proper spray tip for your model of pressure washer.

Refer to the Parts Drawing on page 7 for the numbers in parentheses in the text.



# Operation

## ⚠ WARNING

To reduce the risk of injury, always protect eyes and face with goggles and mask, and hands and arms with heavy work gloves when spraying abrasive materials.

Place the sand induction probe in the sand supply container.

### To Sandblast

1. Connect and open the water supply line before starting the pressure washer.
2. Trigger the gun to relieve air in the equipment.
3. Start the pressure washer. See its instruction manual.
4. Trigger the gun to activate the spray.

## ⚠ CAUTION

Always test spray on a scrap of similar material first! The high pressure spray could damage the surface if the sandblaster is held too close. See Step 5, below.

5. To check the distance you will need to hold the spray nozzle from the surface, start to spray at the scrap of material from a distance of several feet.

*Gradually* move closer, checking frequently to see if the high pressure spray is damaging the surface.

6. See the APPLICATION on page 5 for the type of sand recommended for your work surface.

Always point the sand nozzle downward when not spraying. This prevents water from entering the sand supply. If water does get into the sand supply hose, remove the probe from the sand, hold the gun trigger open, and let the hose air dry. Always be sure the sand hose is dry before using.

Keep the sand covered to prevent the overspray from wetting the sand.

Do not allow small pieces of the sand bag to fall into the sand supply. A small paper piece could prevent the flow of sand.

**NOTE:** To extend the life of the tungsten carbide sand nozzle (3) rotate the nozzle 45° after every 15 minutes of use.

### Sand Saver Operation (Optional)

The spring-loaded collar on the Sand-Saver rotates to give four different rates of sand injection. From setting number 1, (maximum sand injection) to setting number 4, (minimum sand injection).

By experimenting with the different settings on your Sand-Saver during sandblasting you can determine which setting is the most economical for the job. See the table below for approximate sand usage per minute at each setting.

Setting Number	Hole Diameter	Sand Injection Rate Pounds/Minute*
1	None	14
2	3/16"	7
3	1/4"	4.2
4	5/16"	3.6

\* Sand injection was calibrated using standard 20' length of sand hose. Added length to sand hose will decrease sand usage.

### Shutdown

After the sandblasting operation is complete, remove the probe from the sand, trigger the gun to clear the hose and probe of sand. Then, remove the hose from the mixing head and rinse with water to remove all the sand before storage.

Before using the gun for other applications, be sure to reinstall the tip and male quick coupler.

# Application

## Sand Mesh

Sand mesh refers to the size of sieve through which a particular grade of sand will pass. A "16/50" mesh means that normally, most of these particles will pass through a No. 16 sieve and a very small percentage will pass through a No. 50 sieve.

**NOTE** A No. 16 sieve is a mesh that has 16, 0.046 sq. in. (1.19 mm) openings per inch.

## Round Sand

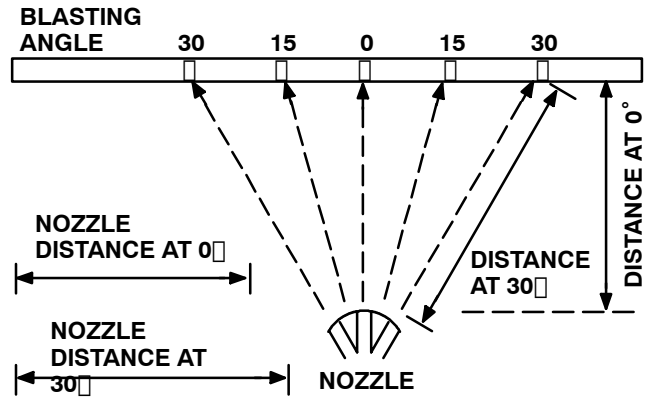
This refers to the round edge of the grain of sand. River sand is a good example of sand worn to its size by water.

## Angular Sand

This refers to grains of sand which have triangular-shaped edges. Crushed rock or sand is usually of this type.

## Blasting Angle and Distance

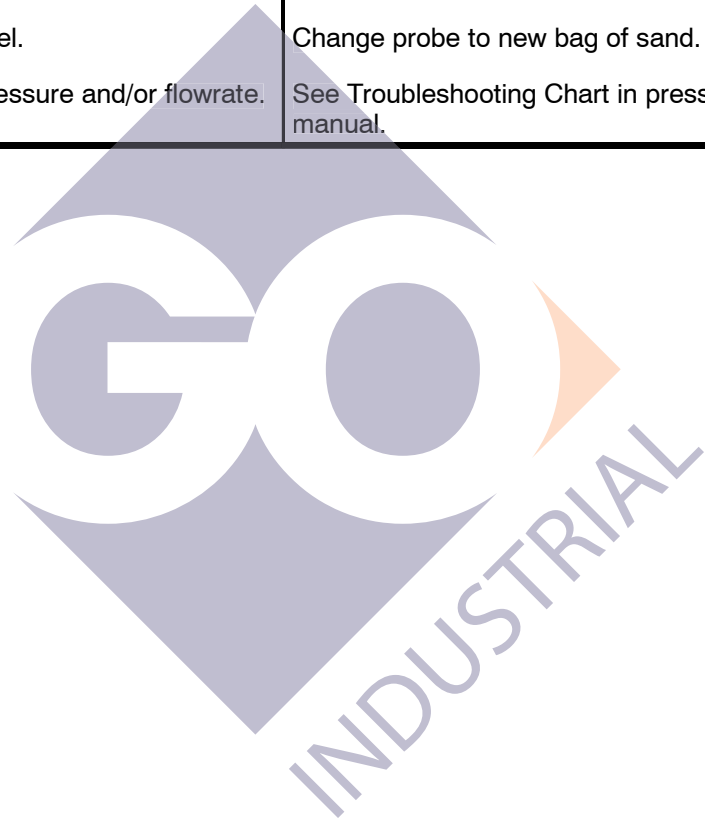
The blasting angle can affect the nozzle distance. Always maintain the recommended blasting angle and the proper distance from your work surface for the best sandblasting performance. See below.



Removal Of:	Sand Mesh	Sand Type	Blasting Angle
Paint from Metal	20/40	Round Silica	0-30°
Paint from Masonry	20/40	Round Silica	0-20°
Rubber Base Paint from Masonry	10/35	Angular	0-15°
Paint from Wood (Coarse, Rough Cut Effect)	40/60	Round	1-10°
Paint from Wood (Smoother, Driftwood Effect)	20/40	Round	1-10°
Metal Scale	20/40	Round	0-15°
Rust	16/50	Angular	0-25°

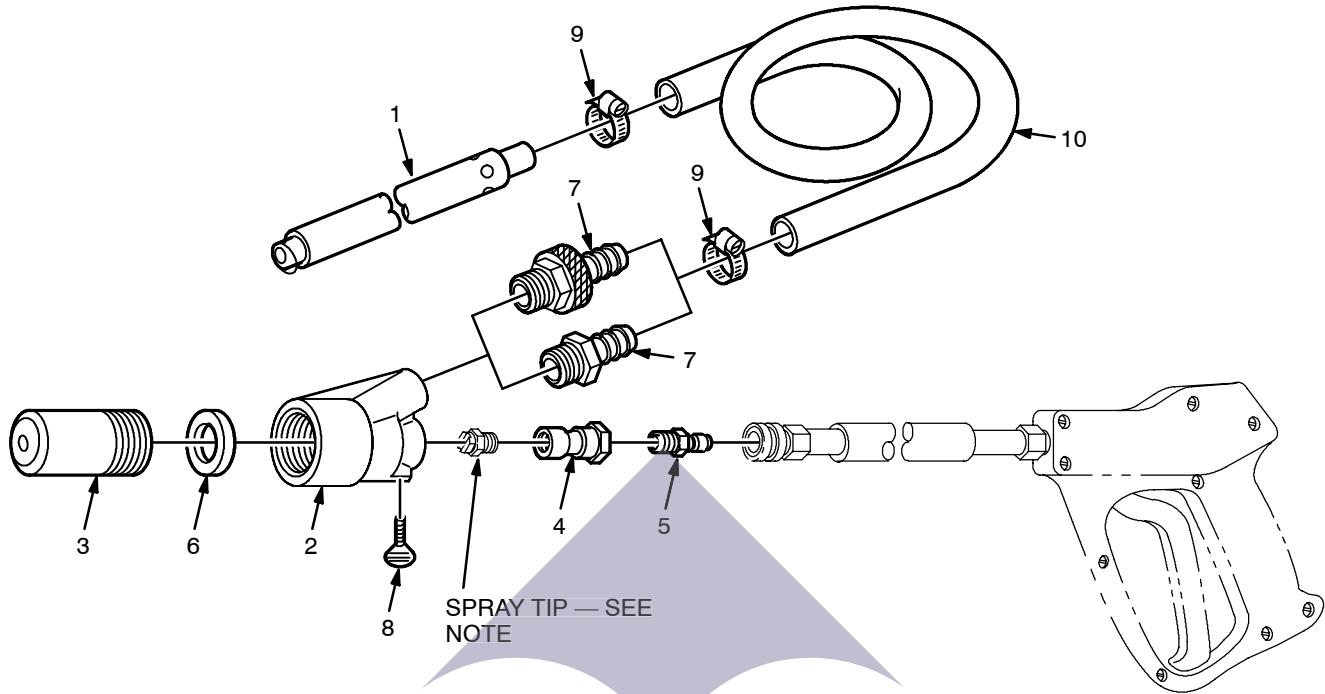
# Troubleshooting

Problem	Probable Cause	Solution
No sand.	Plugged sand probe.	Clear obstruction and make sure air vents in sand probe are open.
	Plugged gun.	Remove mixing nozzle and inspect mixing chamber.
	Wet sand.	Dry or replace sand.
	Low vacuum.	Valve open; air leaks in system. Tighten hose clamps.
Not enough sand.	Incorrect water nozzle.	Change to 15° spray angle.
	Collapsed hose.	Replace hose or remove restriction.
	Partial obstruction to sand probe.	Clear rocks or paper from sand probe inlet.
	Low sand level.	Change probe to new bag of sand.
	Low water pressure and/or flowrate.	See Troubleshooting Chart in pressure washer instruction manual.



# Parts

Model 244766



**NOTE:** A spray tip is not included with the water sandblaster kit. The proper tip must be ordered separately.

REF NO.	PART NO.	DESCRIPTION	QTY
1	801114	PROBE, Sand	1
2	801115	HOUSING, Mixing head	1
3	801116	NOZZLE, Sand	1
4	801117	ADAPTER, Tip	1
5	801091	COUPLER, Male quick disconnect	1
6	801120	GASKET	1
7	801121	BARB, Hose, 3/4 npt x 3/4 ID	1
	800031	SAND SAVER, (Optional)	1
8	801122	THUMBSCREW	1
9	103927	CLAMP, Hose	2
10	801124	HOSE, Sand, 20 ft.	1

Wetted Parts: Aluminum, Stainless Steel, Tungsten Carbide, Zinc Plated Carbon Steel, Polyvinyl Chloride, Buna-N.



# Notes



# Graco Standard Warranty

Graco warrants all equipment referenced in this document which is manufactured by Graco and bearing its name to be free from defects in material and workmanship on the date of sale to the original purchaser for use. With the exception of any special, extended, or limited warranty published by Graco, Graco will, for a period of twelve months from the date of sale, repair or replace any part of the equipment determined by Graco to be defective. This warranty applies only when the equipment is installed, operated and maintained in accordance with Graco's written recommendations.

This warranty does not cover, and Graco shall not be liable for general wear and tear, or any malfunction, damage or wear caused by faulty installation, misapplication, abrasion, corrosion, inadequate or improper maintenance, negligence, accident, tampering, or substitution of non-Graco component parts. Nor shall Graco be liable for malfunction, damage or wear caused by the incompatibility of Graco equipment with structures, accessories, equipment or materials not supplied by Graco, or the improper design, manufacture, installation, operation or maintenance of structures, accessories, equipment or materials not supplied by Graco.

This warranty is conditioned upon the prepaid return of the equipment claimed to be defective to an authorized Graco distributor for verification of the claimed defect. If the claimed defect is verified, Graco will repair or replace free of charge any defective parts. The equipment will be returned to the original purchaser transportation prepaid. If inspection of the equipment does not disclose any defect in material or workmanship, repairs will be made at a reasonable charge, which charges may include the costs of parts, labor, and transportation.

**THIS WARRANTY IS EXCLUSIVE, AND IS IN LIEU OF ANY OTHER WARRANTIES, EXPRESS OR IMPLIED, INCLUDING BUT NOT LIMITED TO WARRANTY OF MERCHANTABILITY OR WARRANTY OF FITNESS FOR A PARTICULAR PURPOSE.**

Graco's sole obligation and buyer's sole remedy for any breach of warranty shall be as set forth above. The buyer agrees that no other remedy (including, but not limited to, incidental or consequential damages for lost profits, lost sales, injury to person or property, or any other incidental or consequential loss) shall be available. Any action for breach of warranty must be brought within two (2) years of the date of sale.

**Graco MAKES NO WARRANTY, AND DISCLAIMS ALL IMPLIED WARRANTIES OF MERCHANTABILITY AND FITNESS FOR A PARTICULAR PURPOSE, IN CONNECTION WITH ACCESSORIES, EQUIPMENT, MATERIALS OR COMPONENTS SOLD BUT NOT MANUFACTURED BY Graco.** These items sold, but not manufactured by Graco (such as electric motors, switches, hose, etc.), are subject to the warranty, if any, of their manufacturer. Graco will provide purchaser with reasonable assistance in making any claim for breach of these warranties.

In no event will Graco be liable for indirect, incidental, special or consequential damages resulting from Graco supplying equipment hereunder, or the furnishing, performance, or use of any products or other goods sold hereto, whether due to a breach of contract, breach of warranty, the negligence of Graco, or otherwise.

#### **FOR Graco BRAZILIAN/CANADIAN/COLUMBIAN CUSTOMERS**

The Parties acknowledge that they have required that the present document, as well as all documents, notices and legal proceedings entered into, given or instituted pursuant hereto or relating directly or indirectly hereto, be drawn up in English.

**TO PLACE AN ORDER OR FOR SERVICE**, contact your Graco distributor,  
or call **1-800-690-2894** to identify the nearest distributor.

*All written and visual data contained in this document reflects the latest product information available at the time of publication.  
Graco reserves the right to make changes at any time without notice.*

MM 308544

**Graco Headquarters:** Minneapolis  
**International Offices:** Belgium, China, Japan, Korea  
[www.graco.com](http://www.graco.com)  
PRINTED IN USA 308544D 5/1991 Rev. 5/2005