

Pointer Kit

3A3440B

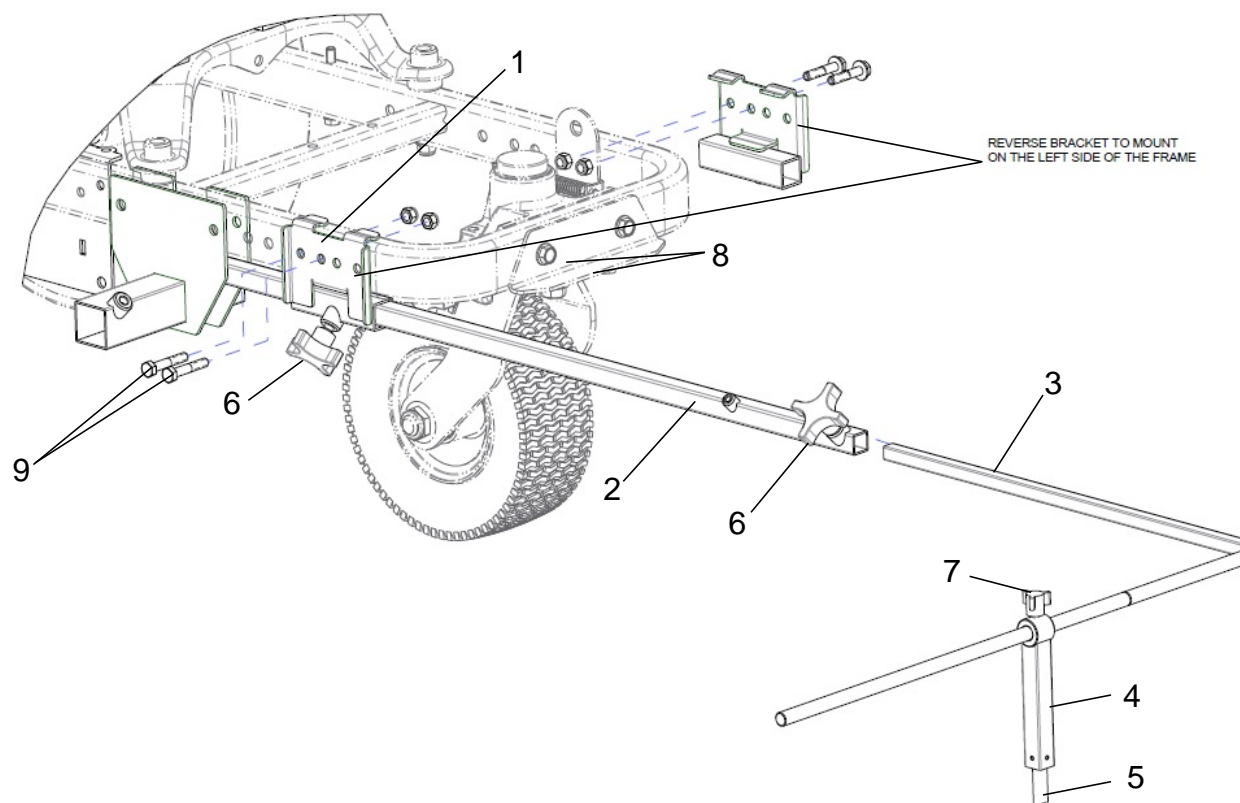
EN

Kit Number 25A620

For the application of line striping materials.

For professional use only.

Not for use in explosive atmospheres.



Ref	Part	Description	Qty	Ref	Part	Description	Qty
1	17H436	BRACKET	1	5	24Y511	KIT, hose (contains 5 hoses)	1
2	17H438	TUBE	1	6	111145	KNOB, pronged	2
3	17H441	EXTENSION	1	7	114966	KNOB, pronged	1
4	17H445	TUBE, pointer hose	1	8	111040	NUT, lock	2
				9	100678	SCREW, cap hex hd	2



*All written and visual data contained in this document reflects the latest product information available at the time of publication.
Graco reserves the right to make changes at any time without notice.*

Original instructions. This manual contains English. MM 3A3440

Graco Headquarters: Minneapolis

International Offices: Belgium, China, Japan, Korea

GRACO INC. AND SUBSIDIARIES • P.O. BOX 1441 • MINNEAPOLIS MN 55440-1441 • USA
Copyright 2015, Graco Inc. All Graco manufacturing locations are registered to ISO 9001.

www.graco.com

Revision B, April 2016