

Displacement Pump

3A6583A

EN

For professional use only.

3300 psi (22.7 MPa, 227 bar) Maximum Working Pressure

Model 16X414, Series A
GMAX II 3900 Lo-Boy

Model 17H832, Series A
TexSpray Mark IV Pro

Model 16X419, Series A
GMAX II 5900 Lo-Boy

Model 17H823, Series A
UltraMax II and Ultimate MX II 695/795 Pro
GMAX II 3900 Pro

Model 17H824, Series A
UltraMax II and Ultimate MX II 1095/1595 Pro
GMAX II 5900 Pro

Model 17H825, Series A
GMAX II 7900 Pro

Model 17H826, Series A
UltraMax II and Ultimate MX II 1095/1595 IronMan
GMAX 5900 IronMan

Model 17H827, Series A
GMAX II 7900 IronMan

Model 17H833, Series A
TexSpray Mark V Pro and 5900 HD Pro

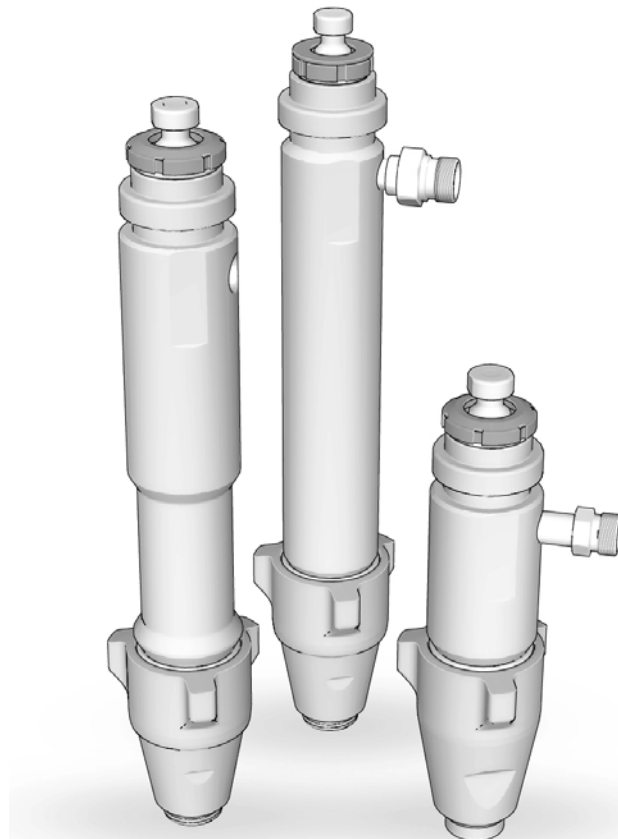
Model 17H834, Series A
TexSpray Mark VII Pro

Model 17H835, Series A
TexSpray Mark X Pro and 7900HD Pro

Model 17H836, Series A
TexSpray Mark V IronMan

Model 17H837, Series A
TexSpray Mark X IronMan and 7900 HD IronMan

Model 17H892, Series A
TexSpray Mark VII IronMan



ti34207a



Important Safety Instructions

Read all warnings and instructions in this manual and all related manuals before servicing. Save all instructions.









Table of Contents

Warnings	3	Parts - Pump 17H823, 17H832	13
Service	4	Parts - Pump 17H826, 17H836	14
Pressure Relief Procedure	4	Parts - Pump 16X419	15
Pump Repair Kits	4	Parts - Pump 17H833, 17H834, 17H892	16
Tools Needed	4	Parts - Pump 17H824	17
Cleaning and Inspecting Parts	4	Parts - Pump 17H827, 17H835, 17H837	18
Repair When Pump is Separated From Sprayer .	5	Parts - Pump 17H825	19
Cross-Section Reference	11	Technical Data	20
Parts - Pump 16X414	12	Graco Standard Warranty	20



Warnings

The following warnings are for the setup, use, grounding, maintenance, and repair of this equipment. The exclamation point symbol alerts you to a general warning and the hazard symbols refer to procedure-specific risks. When these symbols appear in the body of this manual or on warning labels, refer back to these Warnings. Product-specific hazard symbols and warnings not covered in this section may appear throughout the body of this manual where applicable.

 <h1 style="margin: 0;">WARNING</h1>	
 	<p>EQUIPMENT MISUSE HAZARD Misuse can cause death or serious injury.</p> <ul style="list-style-type: none"> Do not operate the unit when fatigued or under the influence of drugs or alcohol. Do not exceed the maximum working pressure or temperature rating of the lowest rated system component. See Technical Specifications in all equipment manuals. Use fluids and solvents that are compatible with equipment wetted parts. See Technical Specifications in all equipment manuals. Read fluid and solvent manufacturer's warnings. For complete information about your material, request Safety Data Sheets (SDSs) from distributor or retailer. Do not leave the work area while equipment is energized or under pressure. Turn off all equipment and follow the Pressure Relief Procedure when equipment is not in use. Check equipment daily. Repair or replace worn or damaged parts immediately with genuine manufacturer's replacement parts only. Do not alter or modify equipment. Alterations or modifications may void agency approvals and create safety hazards. Make sure all equipment is rated and approved for the environment in which you are using it. Use equipment only for its intended purpose. Call your distributor for information. Route hoses and cables away from traffic areas, sharp edges, moving parts, and hot surfaces. Do not kink or over bend hoses or use hoses to pull equipment. Keep children and animals away from work area. Comply with all applicable safety regulations.
 	<p>MOVING PARTS HAZARD Moving parts can pinch, cut or amputate fingers and other body parts.</p> <ul style="list-style-type: none"> Keep clear of moving parts. Do not operate equipment with protective guards or covers removed. Equipment can start without warning. Before checking, moving, or servicing equipment, follow the Pressure Relief Procedure and disconnect all power sources.
  	<p>SKIN INJECTION HAZARD High-pressure fluid from gun, hose leaks, or ruptured components will pierce skin. This may look like just a cut, but it is a serious injury that can result in amputation. Get immediate surgical treatment.</p> <ul style="list-style-type: none"> Do not spray without tip guard and trigger guard installed. Engage trigger lock when not spraying. Do not point gun at anyone or at any part of the body. Do not put your hand over the spray tip. Do not stop or deflect leaks with your hand, body, glove, or rag. Follow the Pressure Relief Procedure when you stop spraying and before cleaning, checking, or servicing equipment. Tighten all fluid connections before operating the equipment. Check hoses and couplings daily. Replace worn or damaged parts immediately.

Service

Pressure Relief Procedure



Follow the Pressure Relief Procedure whenever you see this symbol.



This equipment stays pressurized until pressure is manually relieved. To help prevent serious injury from pressurized fluid, such as skin injection, splashing fluid and moving parts, follow the Pressure Relief Procedure when you stop spraying and before cleaning, checking, or servicing the equipment.

1. Engage trigger lock.
2. Turn ON/OFF switch to OFF. Unplug power cord on electrical units.
3. Disengage the trigger lock.
4. Hold a metal part of the gun firmly to a grounded metal pail. Trigger the gun to relieve pressure.
5. Engage the trigger lock.
6. Turn prime valve down to the DRAIN position. Leave prime valve down until ready to spray again.
7. If you suspect the spray tip or hose is clogged or that pressure has not been fully relieved after following the steps above:
 - a. VERY SLOWLY loosen tip guard retaining nut or hose end coupling to relieve pressure gradually.
 - b. Loosen the nut or the coupling completely.
 - c. Clear the obstruction into the hose or tip.

Pump Repair Kits

Pump	Repair Kit
16X414	17H838
16X419	17H839
17H835	17H852
17H832	17H849
17H833	17H850
17H834	17H851
17H826	17H843
17H836	17H850
17H823	17H841
17H824	17H842
17H825	17H840
17H827	17H844
17H837	17H852
17H892	17H851

Tools Needed

- Vise
- 12 in. adjustable, open-end wrench (2)
- Hammer (20 oz maximum)
- Small screwdriver
- Throat Seal Liquid
- Pick or long small screwdriver

Cleaning and Inspecting Parts

Clean and inspect parts. Pay particular attention to the ball seats in the intake valve and piston, which must have no nicks or wear, and to the inside of the sleeve and the outside of the piston rod, which must not be worn or scratched. Replace worn or damaged parts.

NOTE: Remove and clean sleeve when repacking pump.

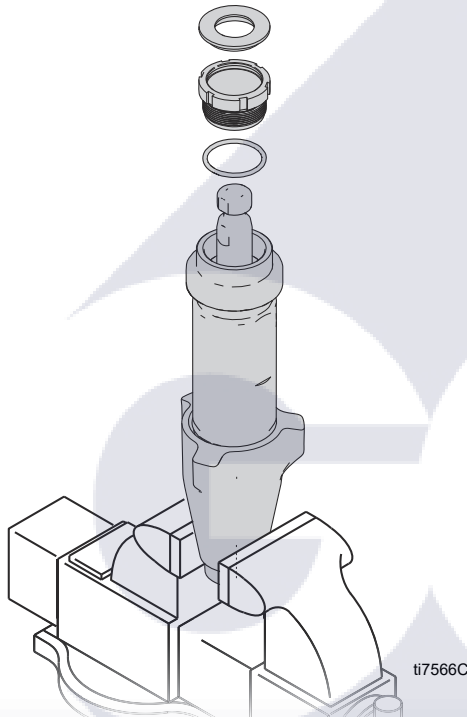
NOTICE

To reduce the risk of damaging sealing surfaces, never use sharp or pointed tools to remove sleeve. If the sleeve cannot be removed easily, return the sleeve and cylinder to a Graco distributor for removal.

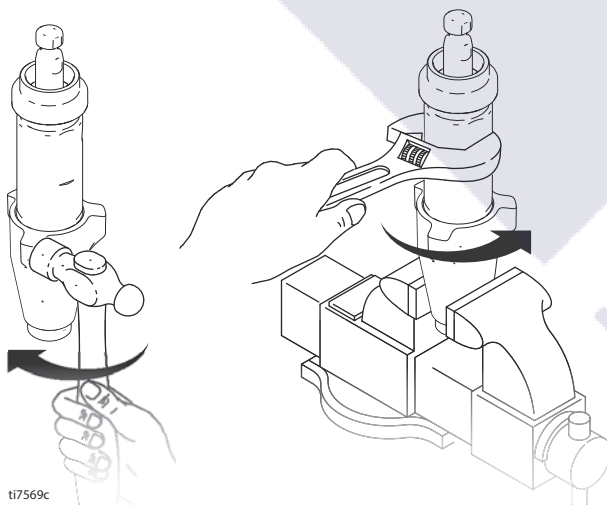
Repair When Pump is Separated From Sprayer

Disassembling the Pump

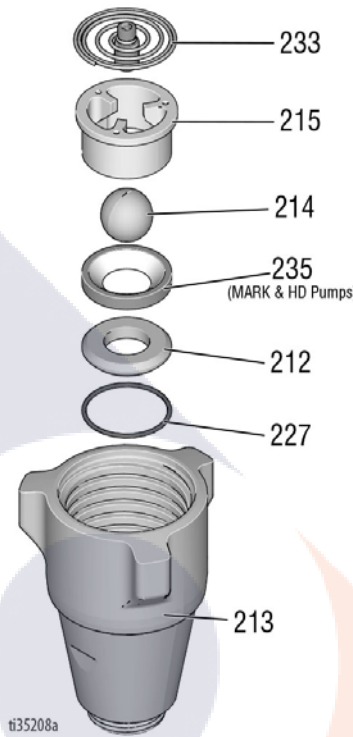
1. Remove packing nut (202) and o-ring (228).



2. Unscrew intake valve from cylinder.



3. Disassemble intake valve. Clean and inspect o-ring (227). **NOTE:** A pick may be required to remove o-ring.

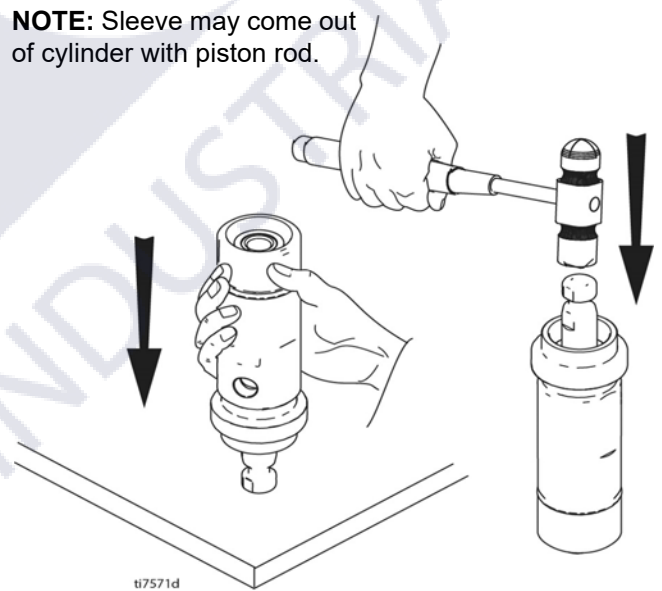


NOTE: Spring (233) only used on 16X426, 17H835, 17H834, 17H825, 17H827, 17H837, and 17H892

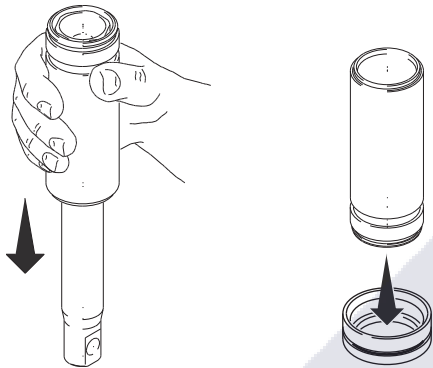
NOTE: Mark and HD pumps only.

4. Tap piston rod out of cylinder with a hammer or flip over and tap piston rod out against a bench.

NOTE: Sleeve may come out of cylinder with piston rod.



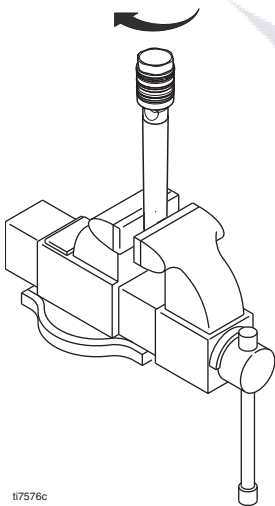
5. Remove piston rod from sleeve, or remove sleeve from cylinder. **Mark IV and Mark VII models:** Remove sleeve spacer (232) from sleeve.



NOTICE

To reduce the risk of damaging sealing surfaces, never use sharp or pointed tools to remove sleeve. If the sleeve cannot be removed easily, return the sleeve and cylinder to a Graco distributor for removal.

6. Unscrew piston valve from piston rod. Clean and inspect parts. The piston has a special thread locking/sealing patch. Do not remove the patch. The patch allows four disassembly/assembly procedures before it is necessary to apply thread sealant to the threads.

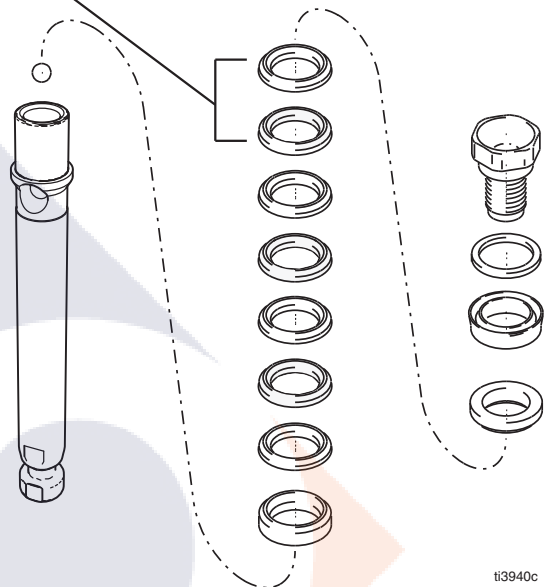


i17576c

NOTICE

To avoid damage to pump and sprayer, do not clean or wipe the piston threads. Cleaning the piston threads could destroy the special sealing patch and cause the piston to come loose during operation. Use thread sealant if unsure about the effectiveness of the thread patch.

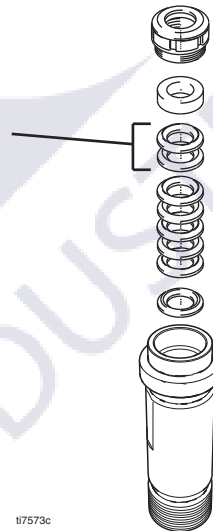
7. Remove packings and glands from piston rod.
Not used on 16X414, 17H823, 17H832



i13940c

8. Remove throat packings and glands from cylinder. Discard throat packings and glands.

Not used on 16X414, 17H832, 17H823



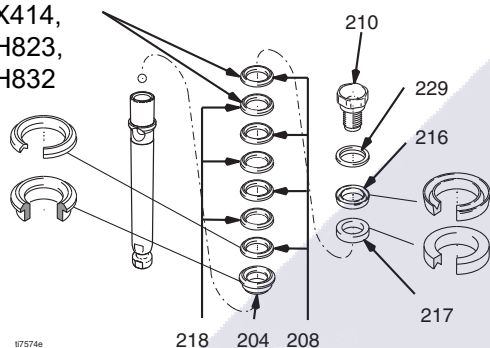
i17573c

Assembling the Pump

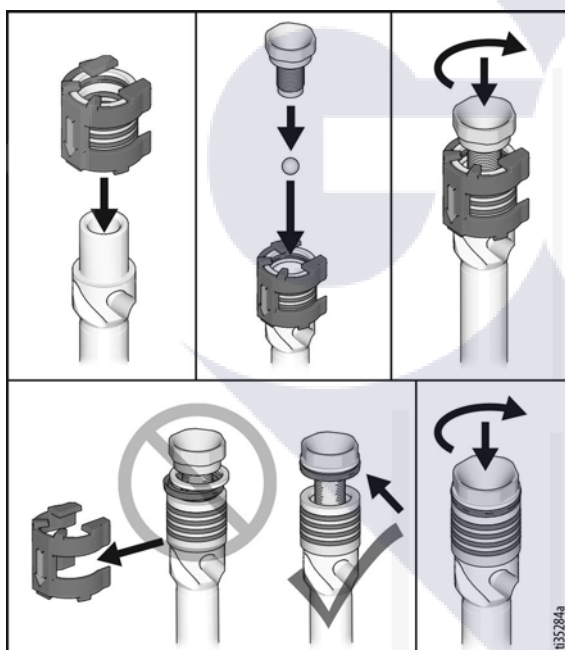
1. A) For all non-QuikPak Repair Kits. Soak all leather packings in SAE 30W oil for 1 hour minimum prior to assembly. Stack male gland (204) on piston rod. Alternately stack UHMWPE (208) and leather (218) packings (note orientation) on piston rod. Install female gland (217). Install piston wiper

(216) (note orientation) and backup washer (229) on piston valve, threads are good for four repackings. Use thread sealant on piston valve threads after four repackings.

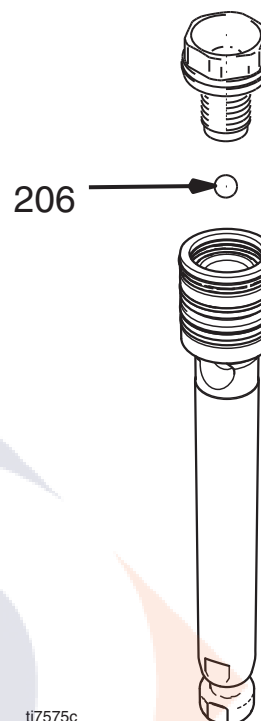
Not used on 16X414, 17H823, 17H832



B) For all QuikPak™ Piston Repair Kits (provided pre-soaked in oil)

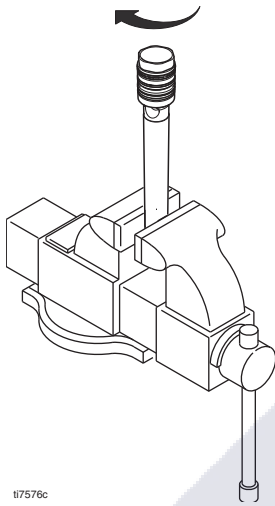


2. Install ball (206) in piston rod. If thread sealant is applied to piston valve threads, make sure that none gets on ball.



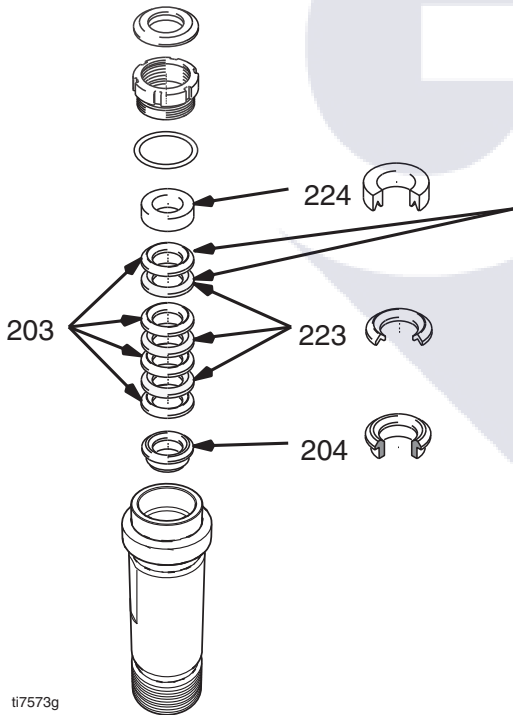
3. Tighten piston valve to piston rod as specified:

Models	Torque
16X414, 17H832, 17H823	27 ± 3 ft-lb. (36.1 ± 4.1 N•m)
16X419, 17H826, 17H824, 17H833, 17H892, 17H834, 17H836	55 ± 3 ft-lb. (74.6 ± 4.1 N•m)
16X426, 17H827, 17H837, 17H825, 17H835	100 ± 5 ft-lb. (136 ± 7 N•m)



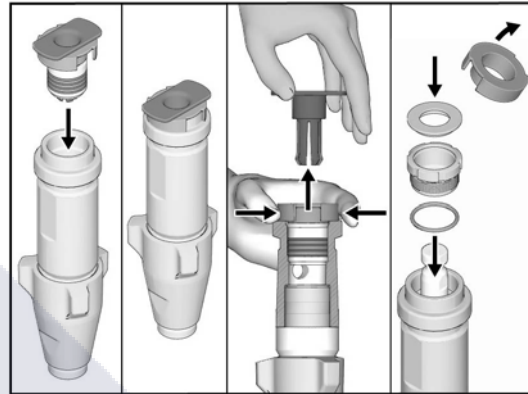
ti7576c

4. A) For all non-QuikPak Repair Kits. Soak all leather packings in SAE 30W oil for one hour minimum prior to assembly. Place male gland (204) in cylinder. Alternately stack UHMWPE (203) and leather packings (223) (note orientation). Place female gland (224) in top of cylinder seat packings.

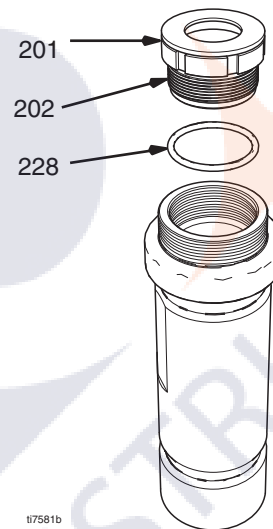


ti7573g

- B) For all QuikPak Piston Repair Kits (provided pre-soaked in oil).

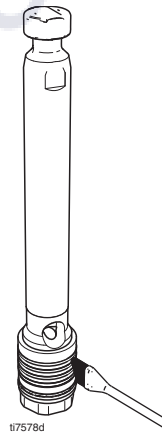


5. Install seal (201) into packing nut (202). Install o-ring (228) onto packing nut. Loosely install packing nut into cylinder.



ti7581b

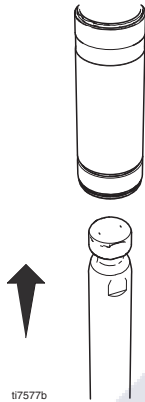
6. Grease piston packings.



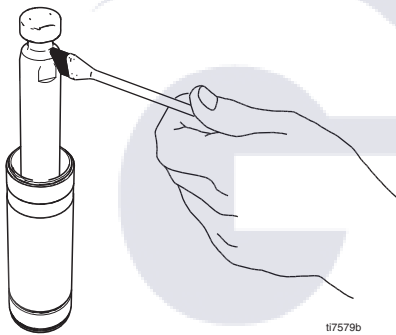
ti7578d

NOTE: Do not slide piston assembly into top of sleeve as this may damage piston packing.

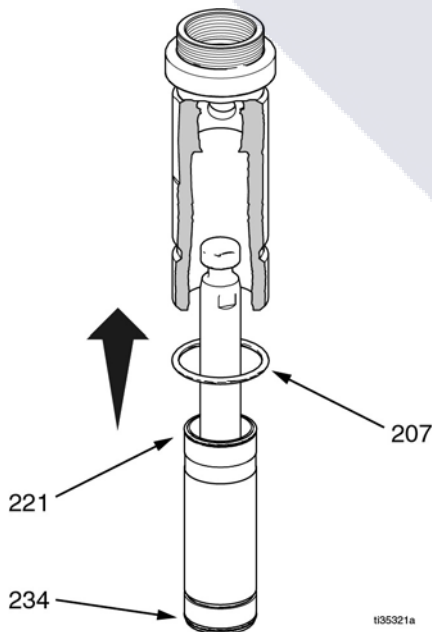
7. Slide piston assembly (with force) into bottom of sleeve.



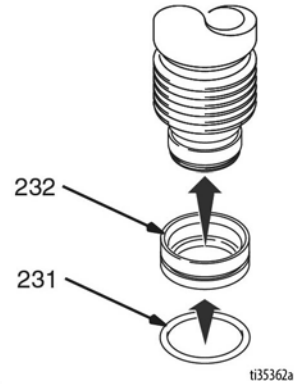
8. Grease top inch or two of piston rod that will go through the cylinder throat packings.



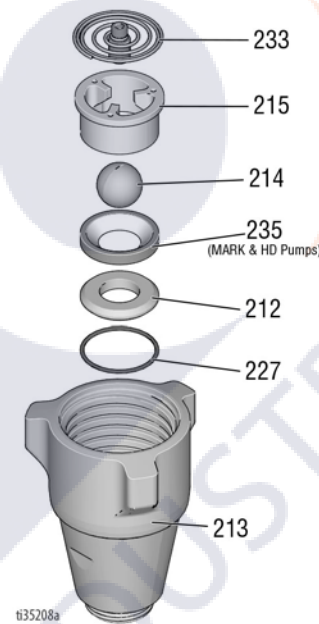
9. Grease o-rings (221 and 234) and place on sleeve. Slide sleeve/piston rod assembly into bottom of cylinder. Replace o-ring (207) if desired.



10. **Mark IV, Mark VII models:** Install o-ring (231) on sleeve spacer (232) and install sleeve spacer on sleeve.



11. Reassemble intake valve with new o-ring (227), seat (212) and ball (214). Seat may be flipped over and used on other side. Clean seat thoroughly.

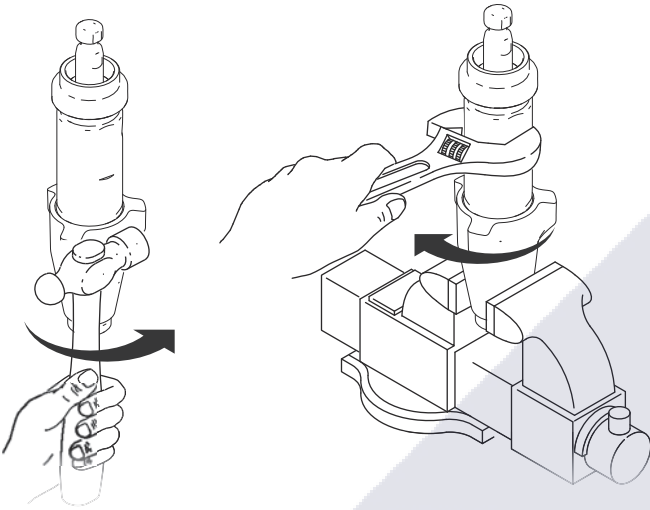


NOTE: Spring (233) only used on 16X426, 17H835, 17H834, 17H827, 17H837, 17H892

NOTE: Mark and HD pumps only.

12. Install intake valve on cylinder. If a wrench is used torque as follows:

Models	Torque
16X414, 17H823, 17H832	70 ± 5 ft-lb (95 ± 7 N•m)
16X419, 17H826, 17H833, 17H836, 17H824	80 ± 5 ft-lb (108.5 ± 6.8 N•m)
16X426, 17H834, 17H825, 17H835, 17H827, 17H837, 17H892	200 ± 15 ft-lb (271.2 ± 20.3 N•m)

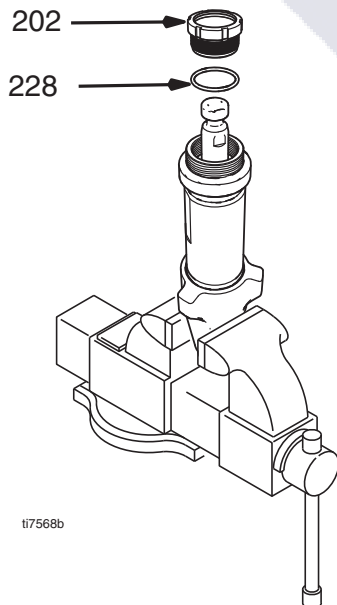


t17569d

13. Torque packing nut (202) as follows:

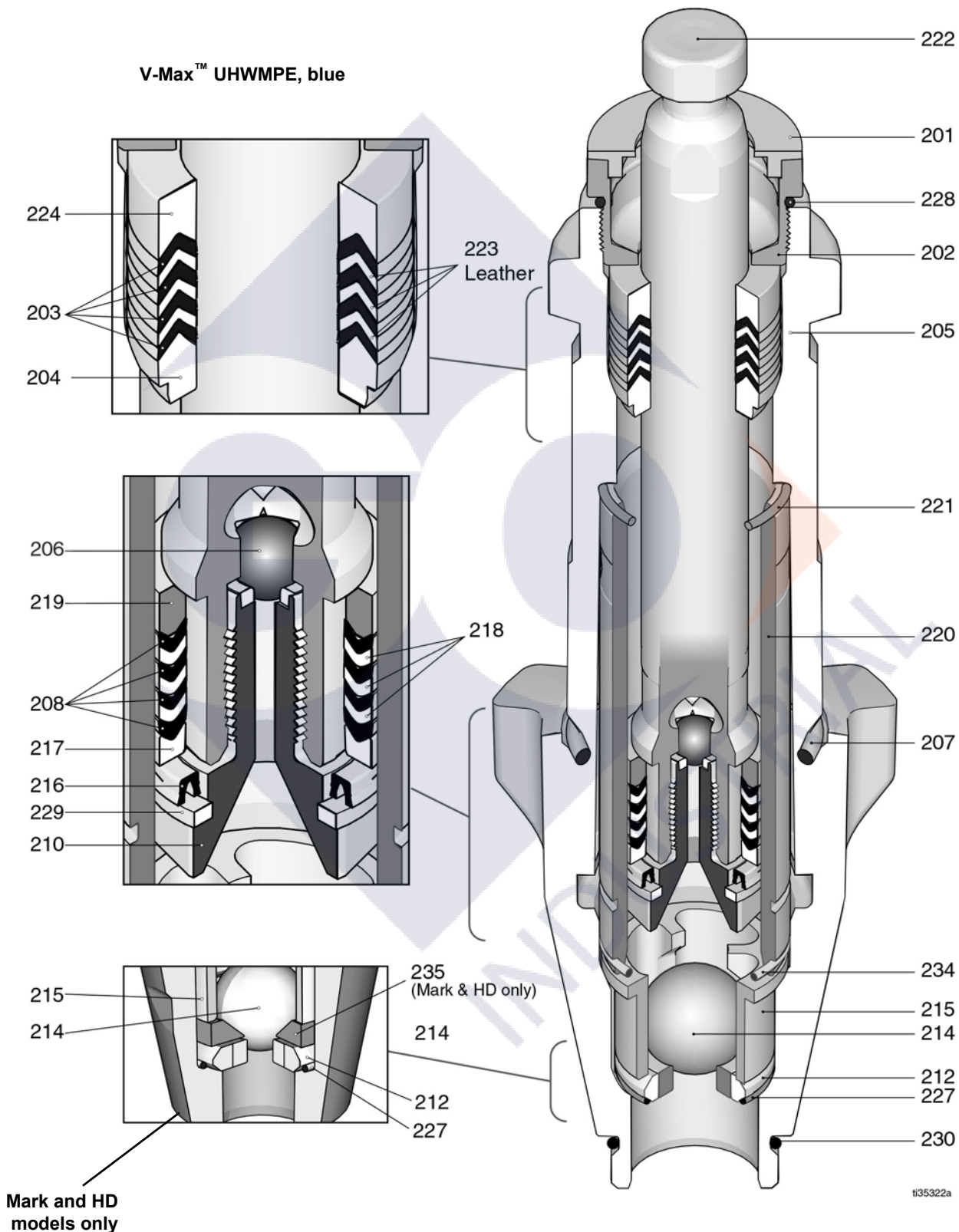
Models	Torque
16X414, 17H832, 17H823	100 ± 10 in-lb (11.3 ± 1.1 N•m)
16X426, 16X419, 17H826, 17H833, 17H834, 17H835, 17H836, 17H824, 17H825, 17H827, 17H892, 17H837	140 ± 10 in-lb (15.8 ± 1.1 N•m)

14. Remove o-ring (228) when pump packings begin to leak after extended use. Then tighten packing nut down until leakage stops or lessens. This allows approximately 100 gallons of additional operation before a repacking is required.



t17568b

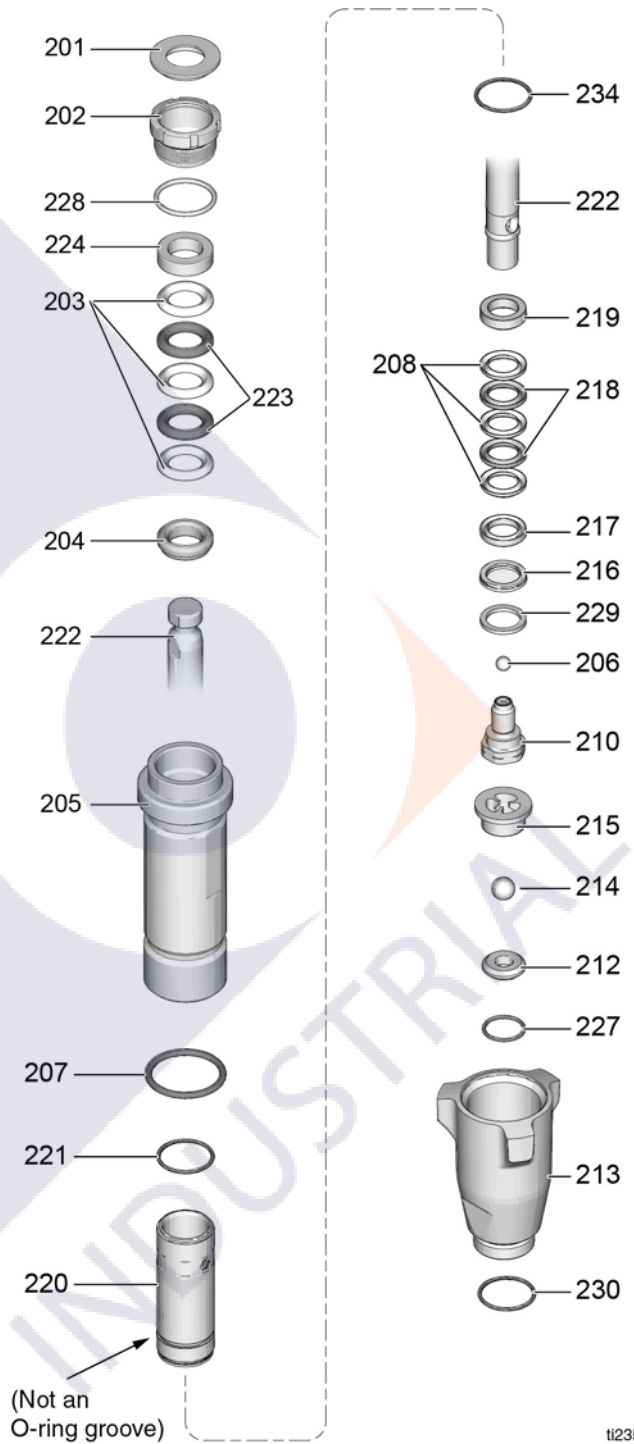
Cross-Section Reference



Parts - Pump 16X414

Ref.	Part	Description	Qty.
201*	179810	SEAL, throat	1
202	193046	NUT, packing	1
203*	192692	V-PACKING, throat, V-Max, UHMWPE, blue	3
204*	15C987	GLAND, male, throat,	1
205	16X450	CYLINDER, pump	1
206*	105444	BALL check (Stainless steel)	1
207*	156593	PACKING, o-ring	1
208*	192693	V-PACKING, piston, V-MAX, UHMWPE, blue	3
210	287877	VALVE, piston	1
212	239922	KIT, seat, carbide <i>includes 214, 215, 227</i>	1
213	15C785	VALVE, intake (foot)	1
214*	105445	BALL, check, inlet (Stainless steel)	1
215	192624	GUIDE, ball	1
216*	118503	WIPER, piston	1
217*	178969	GLAND, female, piston	1
218*	178939	V-PACKING, leather, piston	2
219*	196880	GLAND, male, piston	1
220	248209	SLEEVE, cylinder	1
221*	108526	O-RING, ptfe	1
222	16X434	ROD, piston	1
223*	178940	V-PACKING, leather, throat	2
224*	15C988	GLAND, female, throat	1
227*	107079	O-RING, ptfe	1
228*	158776	O-RING	1
229*	15C997	WASHER, backup	1
230*	118494	O-RING, fluoroelastomer	1
234*	17V093	O-RING, FX90	1

* These parts are also included in Repair Kit 17H838, which may be purchased separately.

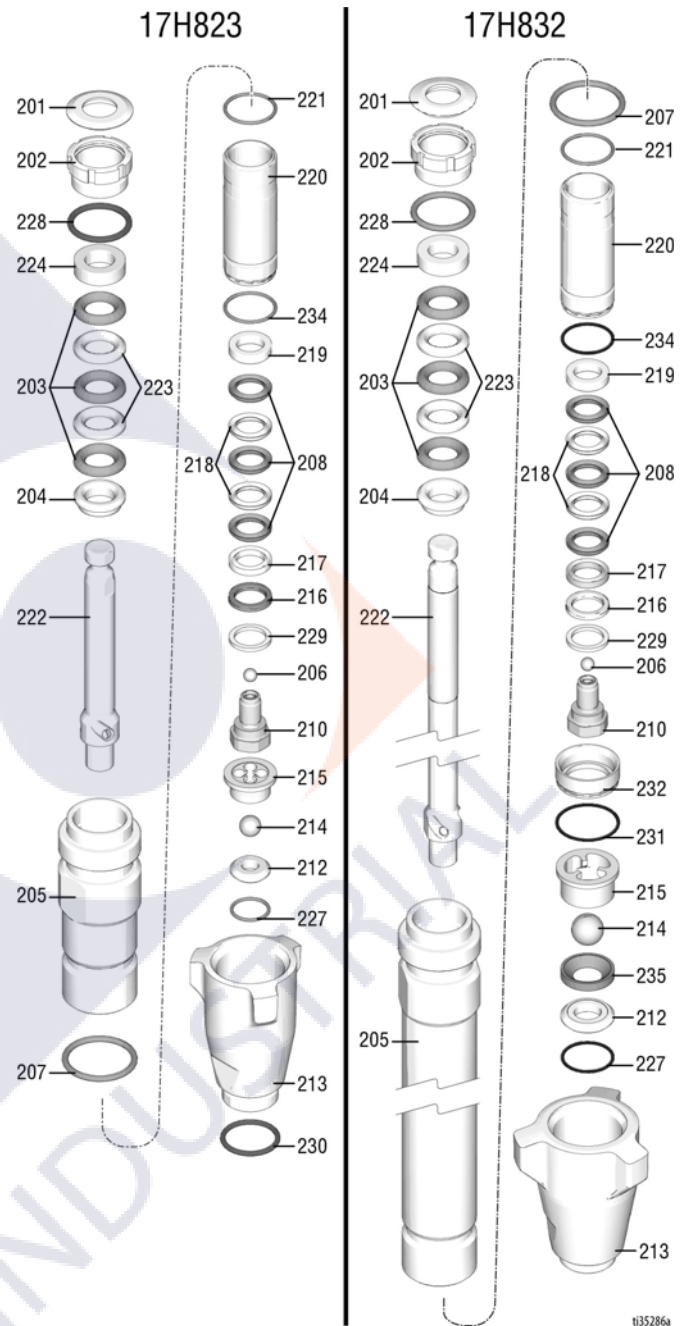


ti23511b

Parts - Pump 17H823, 17H832

Parts - Pump 17H823, 17H832

Ref.	Part	Description	Qty
201*†	179810	SEAL, throat	1
202	193046	NUT, packing	1
203*†	192692	V-PACKING, throat, V-Max, UHMWPE, blue	3
204*†	15C987	GLAND, male, throat	1
205		CYLINDER, pump	1
	17H865	Model 17H823	
	17H870	Model 17H832	
206		BALL, check	1
	105444*	Model 17H823 (Stainless steel)	
	17R145†	Model 17H832 (Ceramic)	
207*†	156593	PACKING, o-ring	1
208*†	18A049	V-PACKING, piston, V-MAX, UHMWPE, blue	3
210	287877	VALVE, piston	1
212		KIT, seat, carbide	1
	239922	Model 17H823 includes 214, 215, 227	
	244571	Model 17H832 includes 214, 227	
213		VALVE, intake (foot)	1
	15C785	Model 17H823	
	287878	Model 17H832	
214		BALL, check, inlet	1
	105445*	Model 17H823 (Stainless steel)	
	17Y533†	Model 17H832 (Ceramic)	
215		GUIDE, ball	1
	192624	Model 17H823	
	17Y280	Model 17H832	
216*†	118503	WIPER, piston	1
217*†	178969	GLAND, female, piston	1
218*†	18A011	V-PACKING, brown, piston	2
219*†	196880	GLAND, male, piston	1
220	17H864	SLEEVE, cylinder	1
221*†	108526	O-RING, ptfе	1
222		ROD, piston	1
	17H876	Model 17H823	
	17H881	Model 17H832	
223*†	178940	V-PACKING, leather, throat	2
224*†	15C988	GLAND, female, throat	1
227		O-RING, ptfе	1
	107079*	Model 17H823	
	108526†	Model 17H832	
228*†	158776	O-RING	1
229*†	15C997	WASHER, backup	1
230*	118494	O-RING, fluoroelastomer (Model 17H823)	1
231†	17E792	O-RING, FX90 (Model 17H832)	1
232	15G494	SPACER, sleeve (Model 17H832)	1
234*†	17V093	O-RING, FX90	1
235	17Y287	SEAL, ball guide, Mark IV, Mark V (Model 17H832)	1

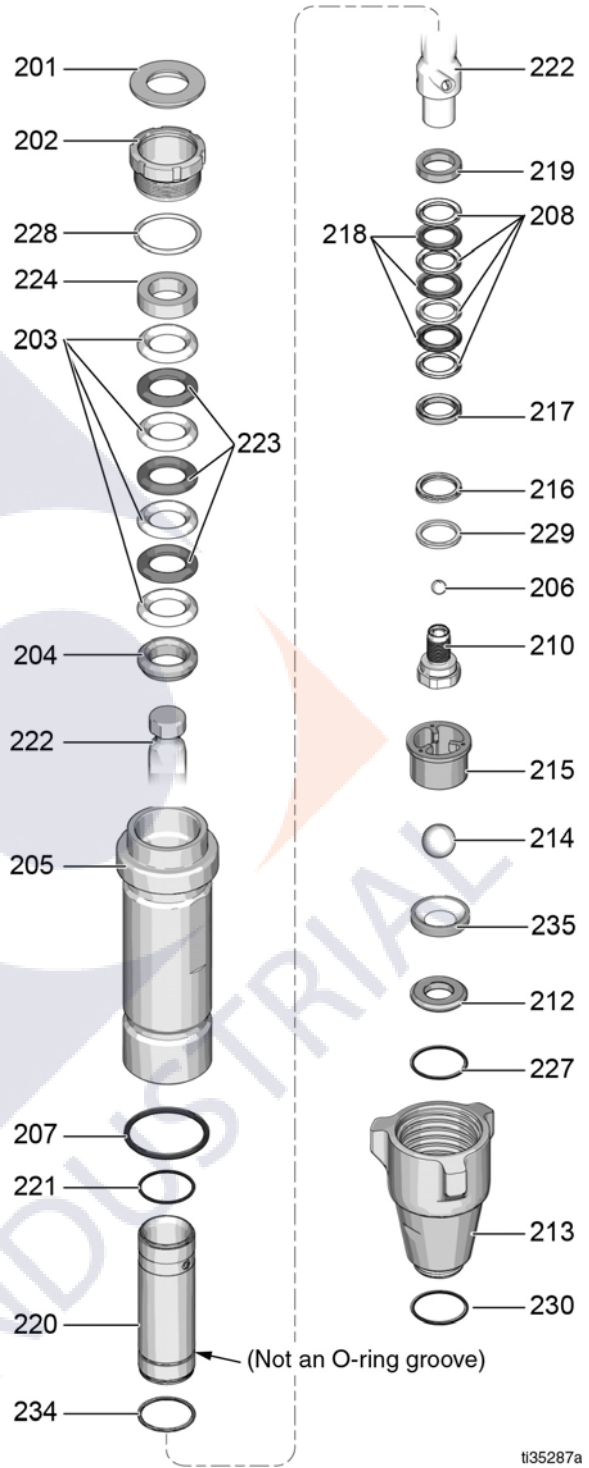


* These parts are also included in Repair Kit 17H841, which may be purchased separately.

† These parts are also included in Repair Kit 17H849, which may be purchased separately.

Parts - Pump 17H826, 17H836

Ref.	Part	Description	Qty.
201*†	183171	SEAL, throat	1
202	193032	NUT, packing	1
203*†	193124	V-PACKING, throat, V-Max, UHMWPE, blue	4
204*†	15C989	GLAND, male, throat	1
205	17H868	CYLINDER, pump	1
	17H874	Model 17H826	
	17H874	Model 17H836	
206*†	124249	BALL, check (Ceramic)	1
207*†	156633	PACKING, o-ring	1
208*†	128779	V-PACKING, piston, UHMWPE, blue	4
210	14U993	VALVE, piston	1
212		KIT, seat, carbide	1
	17H888	Model 17H826 <i>includes 214, 227</i>	
	244571	Model 17H836 <i>includes 214, 227</i>	
213	15E654	VALVE, intake (foot)	1
	196753	Model 17H826	
	196753	Model 17H836	
214	17R046*	BALL, check, inlet	1
	17Y533†	Model 17H826 (Ceramic)	
	17Y533†	Model 17H836 (Ceramic)	
215		GUIDE, ball	1
	193027	Model 17H826	
	17Y280	Model 17H836	
216*†	118504	WIPER, piston	1
217*†	183185	GLAND, female, piston	1
218*†	128296	V-PACKING, brown poly seal	3
219*†	183178	GLAND, male, piston	1
220	257031	SLEEVE, cylinder	1
221*†	107098	O-RING, ptfе	1
222		ROD, piston	1
	17H879	Model 17H826	
	17H884	Model 17H836	
223*†	183175	V-PACKING, leather, throat	3
224*†	15C990	GLAND, female, throat	1
227*†	108526	O-RING, ptfе	1
228*†	C20987	O-RING	1
229*†	15C998	WASHER, backup	1
230*	118494	O-RING, fluoroelastomer (Model 17H826)	1
234*†	17E792	O-RING, FX90	1
235	17Y287	SEAL, ball guide (Model 17H836)	1



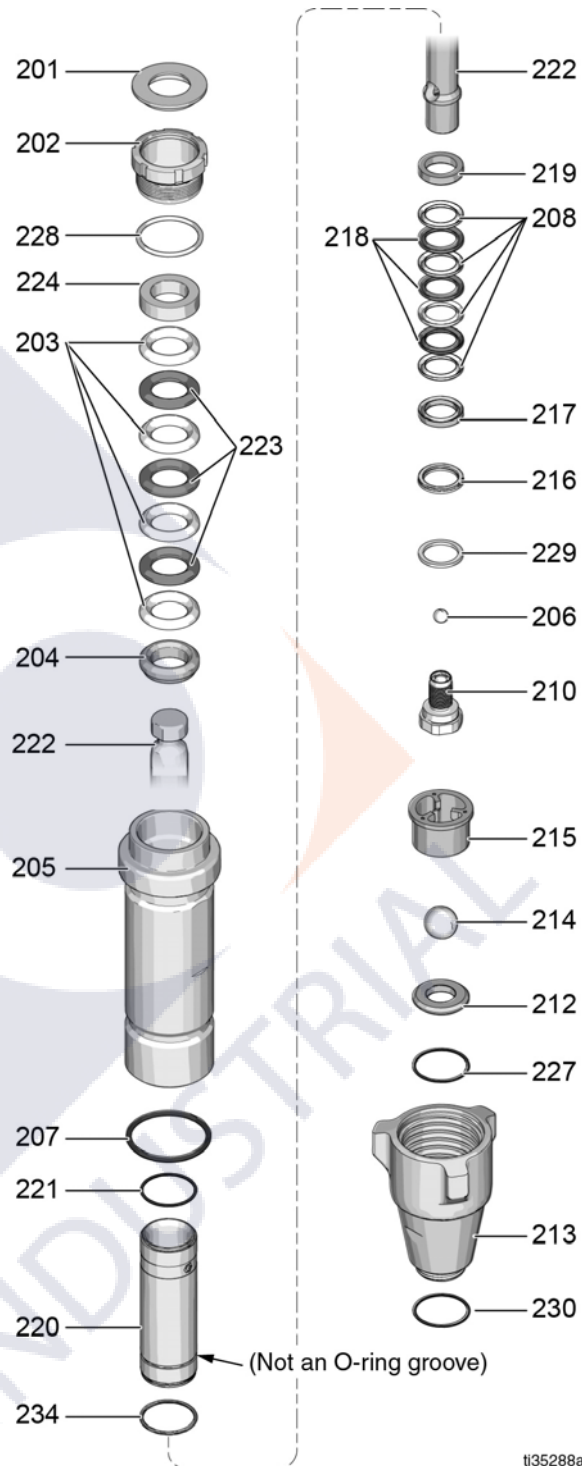
* These parts are also included in Repair Kit 17H843 (stainless steel balls), which may be purchased separately.
 † These parts are also included in Repair Kit 17H850 (ceramic balls), which may be purchased separately.

ti35287a

Parts - Pump 16X419

Ref.	Part	Description	Qty.
201*	183171	SEAL, throat	1
202	193032	NUT, packing	1
203*	193124	V-PACKING, throat, V-Max, UHMWPE, blue	4
204*	15C989	GLAND, male, throat	1
205	16X451	CYLINDER, pump	1
206*	101947	BALL, check (Stainless Steel)	1
207*	156633	PACKING, o-ring	1
208*	193125	V-PACKING, piston, V-MAX, UHMWPE, blue	4
210	24U993	VALVE, piston	1
212	244199	KIT, seat, carbide	1
213	15E654	VALVE, intake (foot)	1
214*	102972	BALL, check, inlet (Stainless Steel)	1
215	193027	GUIDE, ball	1
216*	118504	WIPER, piston	1
217*	183185	GLAND, female, piston	1
218*	15E329	V-PACKING, leather, piston	3
219*	183178	GLAND, male, piston	1
220	248210	SLEEVE, cylinder	1
221*	107098	O-RING, ptfe	1
222	16X435	ROD, piston	1
223*	183175	V-PACKING, leather, throat	3
224*	15C990	GLAND, female, throat	1
227*	108526	O-RING, ptfe	1
228*	C20987	O-RING	1
229*	15C998	WASHER, backup	1
230*	118494	O-RING, fluoroelastomer (Model 16X419 only)	1
234*	17E792	O-RING, FX90	1

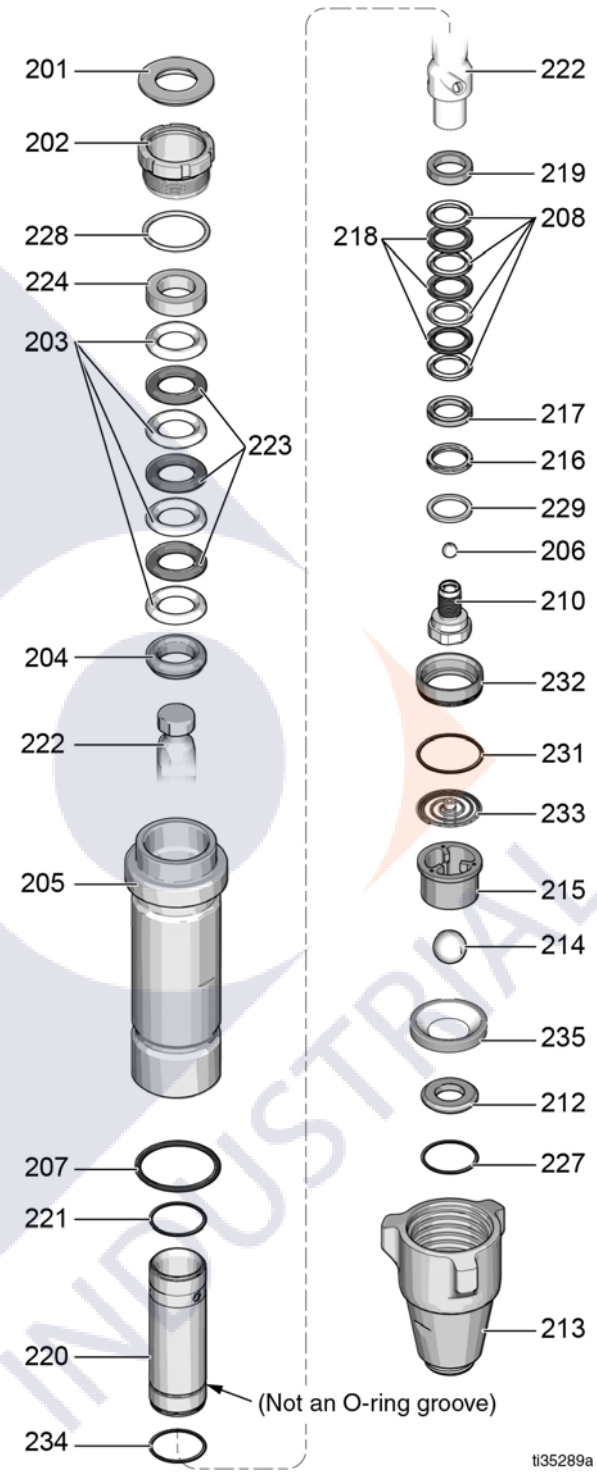
* These parts are also included in Repair Kit 17H839 (stainless steel balls), which may be purchased separately.



1135288a

Parts - Pump 17H833, 17H834, 17H892

Ref.	Part	Description	Qty.
201†*	183171	SEAL, throat	1
202	193032	NUT, packing	1
203†*	193124	V-PACKING, throat, V-Max, UHMWPE, blue	4
204†*	15C989	GLAND, male, throat	1
205	17H871	CYLINDER, pump Model 17H833	1
	17H872	Model 17H834	
	17H894	Model 17H892	
206†*	124249	BALL, check (Ceramic)	1
207	156633†	PACKING, o-ring Model 17H833	1
	160325*	Model 17H834, 17H892	
208†*	128779	V-PACKING, piston, V-MAX, UHMWPE, blue	4
210	24U993	VALVE, piston	1
212	244571	KIT, seat, carbide Model 17H833 includes 214, 227	1
	24N013	Model 17H834, 17H892 includes 214, 227, 233	
213	196753	VALVE, intake (foot) Model 17H833	1
	15A303	Model 17H834, 17H892	
214	17Y533†	BALL, check, inlet Model 17H833 (Ceramic)	1
	17R046*	Model 17H834, 17H892 (Ceramic)	
215	17Y280	GUIDE, ball Model 17H833	1
	17Y281	Model 17H834, 17H892	
216†*	118504	WIPER, piston	1
217†*	183185	GLAND, female, piston	1
218†*	128296	V-PACKING, brown, piston	3
219†*	183178	GLAND, male, piston	1
220	257031	SLEEVE, cylinder	1
221†*	107098	O-RING, ptfе	1
222	17H882	ROD, piston Model 17Y833, 17Y834	1
	17H884	Model 17H892	
223†*	183175	V-PACKING, leather, throat	3
224†*	15C990	GLAND, female, throat	1
227	108526†	O-RING, ptfе Model 17Y833	1
	107098*	Model 17H834, 17H892	
228†*	C20987	O-RING	1
229†*	15C998	WASHER, backup	1
231*	17E793	O-RING (Models 17H834, 17H892 only)	1
232	16M291	SPACER, sleeve (Models 17H834, 17H892 only)	1
233	24E027	SPRING, intake, ball (Models 17H834, 17H892 only)	1
234†*	17E792	O-RING, FX90	1
235	17Y287	SEAL, ball guide Model 17H833	1
	17Y288	Models 17H834, 17H892	



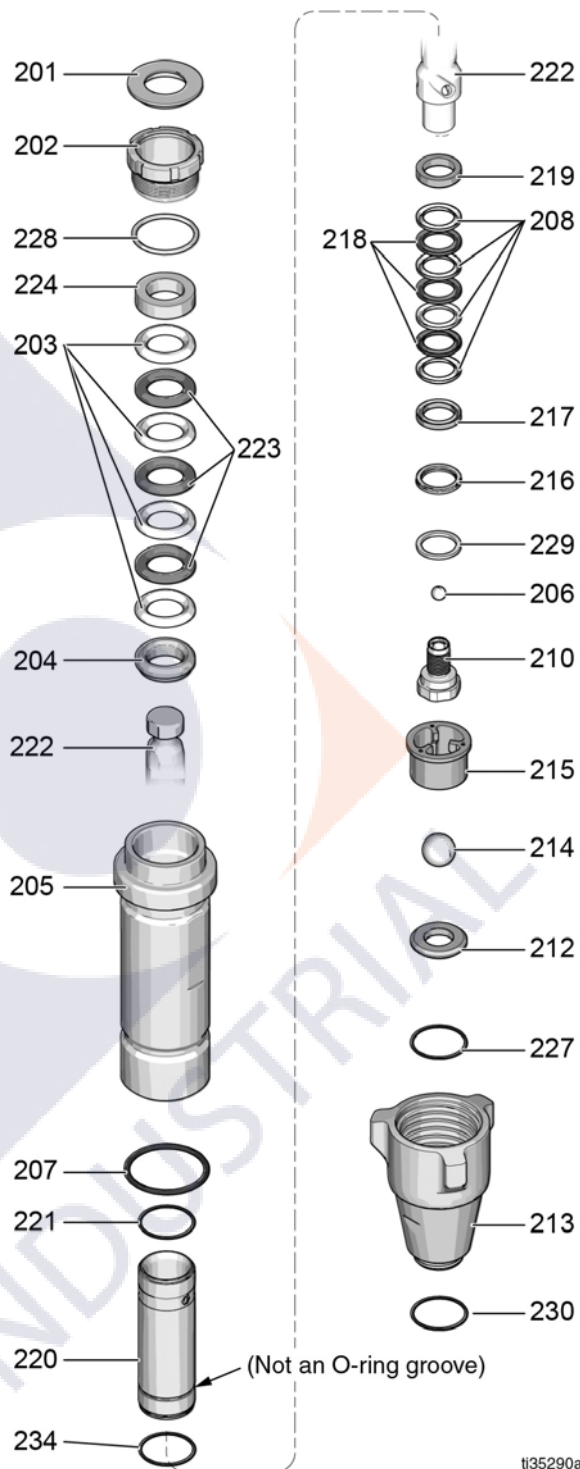
† These parts are also included in Repair Kit 17H850 (ceramic balls), which may be purchased separately.

* These parts are also included in Repair Kit 17H851 (ceramic balls), which may be purchased separately.

Parts - Pump 17H824

Ref.	Part	Description	Qty.
201*	183171	SEAL, throat	1
202	193032	NUT, packing	1
203*	193124	V-PACKING, throat, V-Max, UHMWPE, blue	4
204*	15C989	GLAND, male, throat	1
205	17H866	CYLINDER, pump	1
206*	101947	BALL, check (Stainless Steel)	1
207*	156633	PACKING, o-ring	1
208*	128779	V-PACKING, piston, UHMWPE, blue	4
210	24U993	VALVE, piston	1
212	244199	KIT, seat, carbide	1
213	15E654	VALVE, intake (foot)	1
214*	102972	BALL, check, inlet (Stainless Steel)	1
215	193027	GUIDE, ball	1
216*	118504	WIPER, piston	1
217*	183185	GLAND, female, piston	1
218*	128296	V-PACKING, brown poly seal	3
219*	183178	GLAND, male, piston	1
220	257031	SLEEVE, cylinder	1
221*	107098	O-RING, ptfe	2
222	17H877	ROD, piston	1
223*	183175	V-PACKING, leather, throat	3
224*	15C990	GLAND, female, throat	1
227*	108526	O-RING, ptfe	1
228*	C20987	O-RING	1
229*	15C998	WASHER, backup	1
230*	118494	O-RING, fluoroelastomer	1
234*	17E792	O-RING, FX90	1

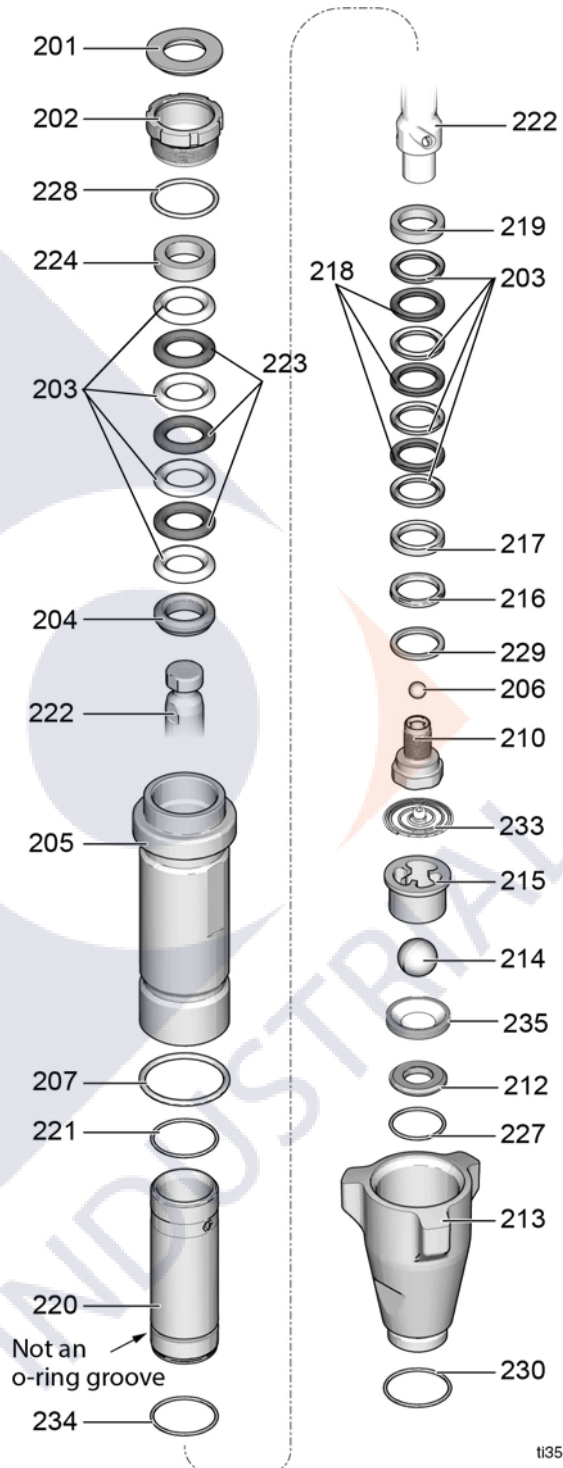
* These parts are also included in Repair Kit 17H842 (stainless steel balls), which may be purchased separately.



t135290a

Parts - Pump 17H827, 17H835, 17H837

Ref.	Part	Description	Qty.
201*	112590	SEAL, throat	1
202	16X768	NUT, packing	1
203*	193722	V-PACKING, throat, V-Max, UHMWPE, blue	8
204*	15G658	GLAND, male, throat	1
205	17H869	CYLINDER, pump	1
	17H873	Model 17H827	
	17H875	Model 17H835	
	17H875	Model 17H837	
206*	17R047	BALL, check (Ceramic)	1
207*	160325	PACKING, o-ring	1
210	249177	VALVE, piston	1
212	17H889	KIT, seat, carbide	1
	17H889	Model 17H827 includes 214, 227 (Ceramic check ball)	
	24N013	Model 17H835, 17H837 includes 214, 227, 233 (ceramic check ball)	
213	15E655	VALVE, intake (foot)	1
	15A303	Model 17H827	
	15A303	Model 17H835, 17H837	
214	17Y504*	BALL, check, inlet	1
	17Y504*	Model 17H827 (Ceramic)	
	17R046*	Model 17H835, 17H837 (Ceramic)	
215	198505	GUIDE, ball	1
	17Y281	Model 17H827	
	17Y281	Model 17H835, 17H837	
216*	119636	WIPER, piston	1
217*	189588	GLAND, female, piston	1
218*	15E639	V-PACKING, leather, piston	3
219*	189585	GLAND, male, piston	1
220	249121	SLEEVE, cylinder, MaxLife	1
221*	108822	O-RING, ptfe	1
222	17H880	ROD, piston	1
	17H883	Model 17H827	
	17H883	Model 17H835	
	17H885	Model 17H837	
223*	112591	V-PACKING, leather, throat	3
224*	15G657	GLAND, female, throat	1
227*	107098	O-RING, ptfe	1
228*	156593	O-RING	1
229*	15J800	WASHER, backup	1
230*	118494	O-RING, fluoroelastomer (Model 17H827 only)	1
233	249770	SPRING, intake, ball	1
	24E027	Model 17H827	
	24E027	Model 17H835, 17H837	
234*	17E793	O-RING, FX90	1
235	17Y288	SEAL, ball guide (Model 17H835, 17H837)	1



ti35291a

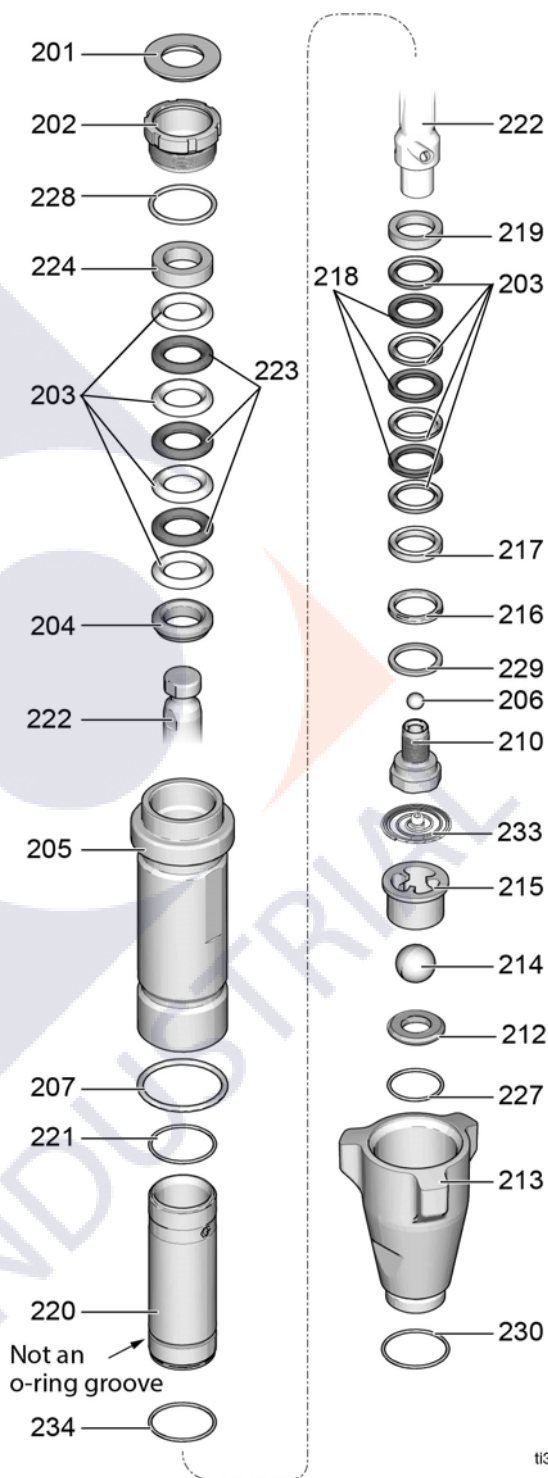
* These parts are also included in Repair Kit 17H844 (ceramic balls), which may be purchased separately.

* These parts are also included in Repair Kit 17H852 (ceramic balls), which may be purchased separately.

Parts - Pump 17H825

Ref.	Part	Description	Qty.
201*	112590	SEAL, throat	1
202	16X768	NUT, packing	1
203*	193722	V-PACKING, throat, V-Max, UHMWPE, blue	8
204*	15G658	GLAND, male, throat	1
205	17H867	CYLINDER, pump	1
206*	107203	BALL, check (Stainless Steel)	1
207*	160325	PACKING, o-ring	1
210	249177	VALVE, piston	1
212	240918	KIT, seat, carbide <i>includes 214, 227</i> (stainless steel check ball)	1
213	15E655	VALVE, intake (foot)	1
214*	107167	BALL, check, inlet (Stainless Steel)	1
215	198505	GUIDE, ball	1
216*	119636	WIPER, piston	1
217*	189588	GLAND, female, piston	1
218*	15E639	V-PACKING, brown, piston	3
219*	189585	GLAND, male, piston	1
220	249121	SLEEVE, cylinder, MaxLife	1
221*	108822	O-RING, ptfе	1
222	17H878	ROD, piston	1
223*	112591	V-PACKING, leather, throat	3
224*	15G657	GLAND, female, throat	1
227*	107098	O-RING, ptfе	1
228*	156593	O-RING	1
229*	15J800	WASHER, backup	1
230*	118494	O-RING, fluoroelastomer	1
233	249770	SPRING, intake, ball	1
234*	17E793	O-RING, FX90	1

* These parts are also included in Repair Kit 17H840 (stainless steel balls), which may be purchased separately.




t135292a

Technical Data

	U.S.	Metric
Maximum Working Pressure	3300 psi	227 bar, 22.7 MPa
Fluid Inlet Size	1-5/16-12 un(m)	1-5/16-12 un(m)
Fluid Outlet Size		
16X414, 17H832, 16X419, 17H826, 17H833, 17H827, 17H834, 16X426, 17H836, 17H823, 17H824, 17H825	3/8 npt(f)	3/8 npt(f)
17H835, 17H837	1/2 npt(f)	1/2 npt(f)
Wetted Parts	stainless steel, PTFE, leather, nylon, nickel and zinc-plated carbon steel, tungsten carbide, chrome plating, fluoroelastomer, acetal, polyethylene, ceramic	

CALIFORNIA PROPOSITION 65

 **WARNING:** This product can expose you to chemicals known to the State of California to cause cancer and birth defects or other reproductive harm. For more information go to www.P65Warnings.ca.gov.

Graco Standard Warranty

Graco warrants all equipment referenced in this document which is manufactured by Graco and bearing its name to be free from defects in material and workmanship on the date of sale to the original purchaser for use. With the exception of any special, extended, or limited warranty published by Graco, Graco will, for a period of twelve months from the date of sale, repair or replace any part of the equipment determined by Graco to be defective. This warranty applies only when the equipment is installed, operated and maintained in accordance with Graco's written recommendations.

This warranty does not cover, and Graco shall not be liable for general wear and tear, or any malfunction, damage or wear caused by faulty installation, misapplication, abrasion, corrosion, inadequate or improper maintenance, negligence, accident, tampering, or substitution of non-Graco component parts. Nor shall Graco be liable for malfunction, damage or wear caused by the incompatibility of Graco equipment with structures, accessories, equipment or materials not supplied by Graco, or the improper design, manufacture, installation, operation or maintenance of structures, accessories, equipment or materials not supplied by Graco.

This warranty is conditioned upon the prepaid return of the equipment claimed to be defective to an authorized Graco distributor for verification of the claimed defect. If the claimed defect is verified, Graco will repair or replace free of charge any defective parts. The equipment will be returned to the original purchaser transportation prepaid. If inspection of the equipment does not disclose any defect in material or workmanship, repairs will be made at a reasonable charge, which charges may include the costs of parts, labor, and transportation.

THIS WARRANTY IS EXCLUSIVE, AND IS IN LIEU OF ANY OTHER WARRANTIES, EXPRESS OR IMPLIED, INCLUDING BUT NOT LIMITED TO WARRANTY OF MERCHANTABILITY OR WARRANTY OF FITNESS FOR A PARTICULAR PURPOSE.

Graco's sole obligation and buyer's sole remedy for any breach of warranty shall be as set forth above. The buyer agrees that no other remedy (including, but not limited to, incidental or consequential damages for lost profits, lost sales, injury to person or property, or any other incidental or consequential loss) shall be available. Any action for breach of warranty must be brought within two (2) years of the date of sale.

GRACO MAKES NO WARRANTY, AND DISCLAIMS ALL IMPLIED WARRANTIES OF MERCHANTABILITY AND FITNESS FOR A PARTICULAR PURPOSE, IN CONNECTION WITH ACCESSORIES, EQUIPMENT, MATERIALS OR COMPONENTS SOLD BUT NOT MANUFACTURED BY GRACO. These items sold, but not manufactured by Graco (such as electric motors, switches, hose, etc.), are subject to the warranty, if any, of their manufacturer. Graco will provide purchaser with reasonable assistance in making any claim for breach of these warranties.

In no event will Graco be liable for indirect, incidental, special or consequential damages resulting from Graco supplying equipment hereunder, or the furnishing, performance, or use of any products or other goods sold hereto, whether due to a breach of contract, breach of warranty, the negligence of Graco, or otherwise.

FOR GRACO CANADA CUSTOMERS

The Parties acknowledge that they have required that the present document, as well as all documents, notices and legal proceedings entered into, given or instituted pursuant hereto or relating directly or indirectly hereto, be drawn up in English. Les parties reconnaissent avoir convenu que la rédaction du présente document sera en Anglais, ainsi que tous documents, avis et procédures judiciaires exécutés, donnés ou intentés, à la suite de ou en rapport, directement ou indirectement, avec les procédures concernées.

Graco Information

For the latest information about Graco products, visit www.graco.com.

For patent information, see www.graco.com/patents.

TO PLACE AN ORDER, contact your Graco distributor or call 1-800-690-2894 to identify the nearest distributor.





*All written and visual data contained in this document reflects the latest product information available at the time of publication.
Graco reserves the right to make changes at any time without notice.*

Original instructions. This manual contains English. MM 3A6583

Graco Headquarters: Minneapolis

International Offices: Belgium, China, Japan, Korea

GRACO INC. AND SUBSIDIARIES • P.O. BOX 1441 • MINNEAPOLIS MN 55440-1441 • USA
Copyright 2019, Graco Inc. All Graco manufacturing locations are registered to ISO 9001.

www.graco.com
Revision E, April 2019