

Brief Instructions

ENG

Sockets PS*-4* Plugs PS*-7*



Pepperl-Fuchs GmbH
Lilienthalstrasse 200
69307 Mannheim, Germany
Tel. +49 621 776-0
Fax +49 621 776-1000
Copyright Pepperl+Fuchs
www.pepperl-fuchs.com

Document No.: DOCT-6918
Edition: 08/2020

PEPPERL+FUCHS

Validity

Specific processes and instructions in this instruction manual require special provisions to guarantee the safety of the operating personnel.

Target Group, Personnel

Responsibility for planning, assembly, commissioning, operation, maintenance, and dismantling lies with the plant operator.

The personnel must be appropriately trained and qualified in order to carry out mounting, installation, commissioning, operation, maintenance, and dismantling of the device. The trained and qualified personnel must have read and understood the instruction manual.

Reference to Further Documentation

Observe laws, standards, and directives applicable to the intended use and the operating location. Observe Directive 1999/92/EC in relation to hazardous areas.

The corresponding datasheets, manuals, declarations of conformity, EC-type-examination certificates, certificates, and control drawings if applicable (see datasheet) are an integral part of this document. You can find this information under www.pepperl-fuchs.com.

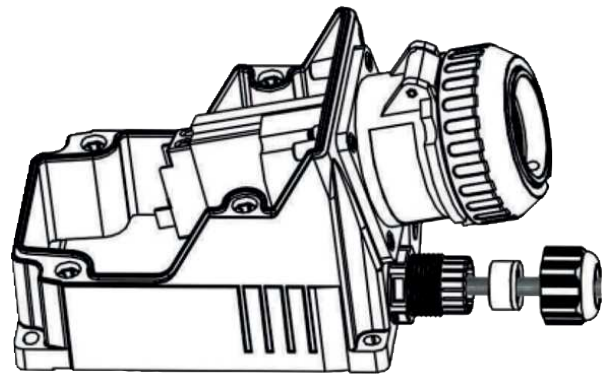
Intended Use

PS*-7* plugs are intended for use with PS*-4* sockets in the hazardous locations outlined in the corresponding certificates to create a connection point between two devices.

Mounting and Installation

Observe the installation instructions according to IEC/EN 60079-14.

1. Installation of sockets PS*-4*



Loosen the cover screws and detach the cover from the wall socket.
Open the cable gland and push the cable through it.
Strip the cable outer sheath to a suitable length.

Strip the individual cores to a suitable length and connect them to the relevant terminals.

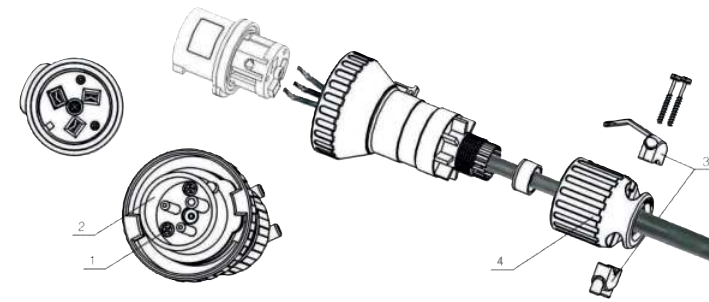
Connect the ground conductor to the grounding terminal.

Make sure all cores are terminated using the correct torque, including the ground conductor.

Secure the cable tightly in the gland by screwing the cap to the correct torque.

Carefully place the cover back onto the wall socket and tighten the fixing screws to the correct torque.

2. Installation of plugs PS*-7*



Unscrew the screws (1) near the pins inside the front part (2) until you can detach the front part from the housing.

Unscrew the two screws which hold the strain relief (3) and loosen the strain relief. Unscrew the end part (4) completely until it is detached from the enclosure.

Push the end part (4) over the cable.

Push the cable through the gasket of the housing until it appears at the front part.

Strip the insulation of the individual cores of the cable.

Connect the cores to the individual terminals of the front part (2). Connect each conductor to its respective terminal. Connect the grounding conductor to the grounding terminal.

Reconnect the front part (2) to the housing by fixing the two screws (2).

Screw the end part (4) back onto the housing.

Attach the strain relief (3) by means of the two screws.

Operation, Maintenance, Repair

Observe IEC/EN 60079-17 for maintenance and inspection.

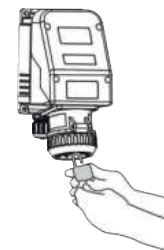
The device must be disconnected from the power supply prior to installation and maintenance. The power supply may be activated only after all the circuits required for operation have been fully assembled and connected.

Do not modify or manipulate the device.

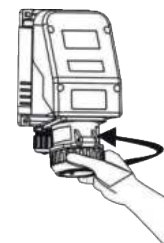
Modifications are permitted only if approved in this instruction manual.

The PS* sockets may only be used with associated PS* plugs.

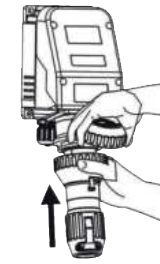
Use the plugs and sockets only when they are clean and not damaged.



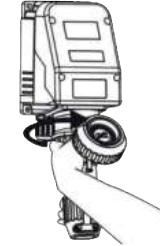
If a padlock was used to protect the socket against misuse, then the padlock has to be detached.



Open the bayonet catch by turning it counter-clockwise by approx. 120°.



Push the plug into the socket so that the nose of the plug fits into the respective opening in the socket flange.



Activate the socket by turning the plug 30° clockwise.

Secure the IP protection of the plug and socket assembly by closing the bayonet catch of the plug by turning it 120° clockwise.

Delivery, Transport, Disposal

Disposing of device and packaging must be in compliance with the applicable laws and guidelines of the respective country.

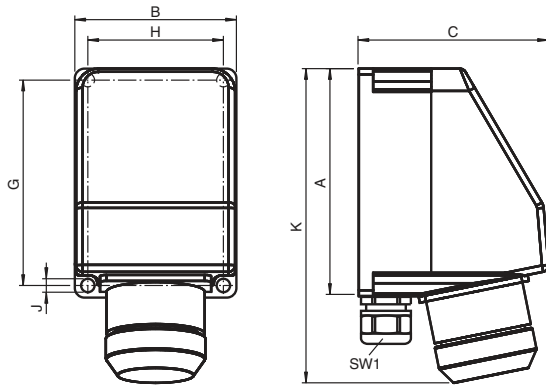
Type Code / Model Number

Device type						
PS	125	-4	5	06	00	Example
Plugs and Sockets Ex de						
Operating current						
	nn	max. A, see data table				
Variant						
		-4	socket			
		-7	plug			
Number of poles						
			3 ... 5	see data table		
Pin configuration						
				nn	pins and protective contact positioning, see data table	
Auxiliary contacts						
					00	none
PS	125	-4	5	06	00	Example
Example: Socket Ex de max. 125 A, 380 ... 415 V, 5-pole red, protective contact position 6 h						
PS	16	-7	3	04	00	Example
Example: Plug Ex de max. 16 A, 110 ... 113 V, 3-pole yellow, protective contact position 4 h						

Technical Specifications

General	
Type and variants	PS*-4*, see type code table PS*-7*, see type code table
Electrical specifications	
Operating voltage	see table
Operating current	see table
Terminal capacity	see table
Supply frequency	50/60 Hz
Function	plug or socket
Usage category	see table
Number of poles	see table
Color coding according to IEC 60309	see table
Protective contact position according to IEC 60309	see table
Mechanical specifications	
Cable type	non-armored cables
Cover fixing	see table
Degree of protection	IP66
Number of cable entries	see table, 1x cable gland, 1x stopping plug
Mass	see table
Dimensions	see table
Material	
Housing PS*-4*	carbon loaded, antistatic glass fiber reinforced polyester (GRP)
Housing PS*-7*	polyamide (PA)
Finish	inherent color black
Ambient conditions	
Ambient temperature	-40 ... 55 °C (-40 ... 131 °F)
Data for application in connection with hazardous areas	
EU-type examination certificate	SIRA 11 ATEX 1044
Marking	Ex II 2 GD Ex de IIC T6 Gb Ex t IIIC T80 °C Db
International approvals	
IECEx approval	IECEx SIR 11.0026
Conformity	
Degree of protection	EN 60529
Usage category	IEC / EN 60947
CE marking	102
Plug connection	IEC 60309
Standards	EN60079-0:2012 EN60079-1:2014 EN60079-7:2015 EN60079-31:2014 and/or IEC60079-0:2011 IEC60079-1:2014 IEC60079-7:2015 IEC60079-31:2013

Dimensions Sockets PS*-4*



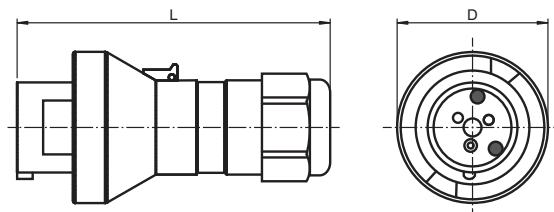
Dimension values see data table.
Image and drawing are generic for this device type and may deviate from the specific variant.

Legend	
A	External dimension
B	External dimension
C	External dimension, depth
G	Mounting holes distance
H	Mounting holes distance
J	Mounting holes diameter
K	Maximum external dimension
SW1	Cable entry

Variant-Specific Data Sockets PS*-4*

Type	Operating voltage [V]	Operating current max. [A]	Main terminals capacity [mm ²]	Main terminals torque [Nm]	Usage category	Number of poles	Color coding according to IEC 60309	Protective contact position according to IEC 60309	Number of cable entries	Clamping range [mm]	External dimensions [mm]				Mounting [mm]			Mass approx. [kg]	Cover screws		
											A	B	C	K	G	H	J		Mx	qty.	Torque [Nm]
PS16-430400	100 ... 130	16	2.5	2.5	AC3: 690 V AC - 16 A	3	yellow	4 h	2x M25	8 ... 17	156	103	122	223	142	86	6	1.2	M4	4	2.5
PS16-430600	200 ... 250	16	2.5	2.5	AC3: 690 V AC - 16 A	3	blue	6 h	2x M25	8 ... 17	156	103	122	223	142	86	6	1.2	M4	4	2.5
PS16-440600	380 ... 415	16	2.5	2.5	AC3: 690 V AC - 16 A	4	red	6 h	2x M25	8 ... 17	176	123	147	241	163	106	6	1.2	M4	4	2.5
PS16-440700	480 ... 500	16	2.5	2.5	AC3: 690 V AC - 16 A	4	black	7 h	2x M25	8 ... 17	176	123	147	241	163	106	6	1.2	M4	4	2.5
PS16-450600	380 ... 415	16	2.5	2.5	AC3: 690 V AC - 16 A	5	red	6 h	2x M25	8 ... 17	176	123	147	241	163	106	6	1.2	M4	4	2.5
PS32-440600	380 ... 415	32	6	2.5	AC3: 690 V AC - 32 A	4	red	6 h	2x M32	12 ... 21	211	133	162	294	198	118	6	1.8	M4	4	2.5
PS32-440700	480 ... 500	32	6	2.5	AC3: 690 V AC - 32 A	4	black	7 h	2x M32	12 ... 21	211	133	162	294	198	118	6	1.8	M4	4	2.5
PS32-450600	380 ... 415	32	6	2.5	AC3: 690 V AC - 32 A	5	red	6 h	2x M32	12 ... 21	211	133	162	294	198	118	6	1.8	M4	4	2.5
PS63-440600	380 ... 415	63	16	3	AC3: 690 V AC - 63 A	4	red	6 h	2x M50	22 ... 35	371	201	248	472	352	181	9	8.25	M6	4	3
PS63-440700	480 ... 500	63	16	3	AC3: 690 V AC - 63 A	4	black	7 h	2x M50	22 ... 35	371	201	248	472	352	181	9	8.25	M6	4	3
PS63-450600	380 ... 415	63	16	3	AC3: 690 V AC - 63 A	5	red	6 h	2x M50	22 ... 35	371	201	248	472	352	181	9	8.83	M6	4	3
PS125-440600	380 ... 415	125	50	3	AC3: 690 V AC - 125 A	4	red	6 h	2x M63	27 ... 48	431	249	274	538	411	228	9	13	M6	4	3
PS125-440700	480 ... 500	125	50	3	AC3: 690 V AC - 125 A	4	black	7 h	2x M63	27 ... 48	431	249	274	538	411	228	9	8.25	M6	4	3
PS125-450600	380 ... 415	125	50	3	AC3: 690 V AC - 125 A	5	red	6 h	2x M63	27 ... 48	431	249	274	538	411	228	9	14	M6	4	3

Dimensions Plugs PS*-7*



Dimension values see data table.
Image and drawing are generic for this device type and may deviate from the specific variant.

Legend	
L	Total length
D	Diameter

Variant-Specific Data Plugs PS*-7*

Type	Operating voltage [V]	Operating current max. [A]	Main terminals capacity [mm ²]	Main terminals torque [Nm]	Number of poles	Color coding according to IEC 60309	Protective contact position according to IEC 60309	Clamping range [mm]	External dimensions [mm]		Mass approx. [kg]
									D	L	
PS16-730400	110 ... 130	16	2.5	0.8	3	yellow	4 h	6.5 ... 18.5	73	163	0.35
PS16-730600	200 ... 250	16	2.5	0.8	3	blue	6 h	6.5 ... 18.5	73	163	0.35
PS16-740600	380 ... 415	16	2.5	0.8	4	red	6 h	6.5 ... 20	77	187	0.35
PS16-740700	480 ... 500	16	2.5	0.8	4	black	7 h	6.5 ... 20	77	187	0.35
PS16-750600	380 ... 415	16	2.5	0.8	5	red	6 h	6.5 ... 20	84	187	0.35
PS32-740600	380 ... 415	32	6	0.8	4	red	6 h	10 ... 28	101	232	0.7
PS32-740700	480 ... 500	32	6	0.8	4	black	7 h	10 ... 28	101	232	0.7
PS32-750600	380 ... 415	32	6	0.8	5	red	6 h	10 ... 28	101	232	0.7
PS63-740600	380 ... 415	63	16	0.8	4	red	6 h	15 ... 35	111	262	0.81
PS63-740700	480 ... 500	63	16	0.8	4	black	7 h	15 ... 35	111	262	0.81
PS63-750600	380 ... 415	63	16	0.8	5	red	6 h	15 ... 35	111	262	0.86
PS125-740600	380 ... 415	125	50	0.8	4	red	6 h	20 ... 57	121	298	1.25
PS125-740700	480 ... 500	125	50	0.8	4	black	7 h	20 ... 57	121	298	1.25
PS125-750600	380 ... 415	125	50	0.8	5	red	6 h	20 ... 57	121	298	1.3