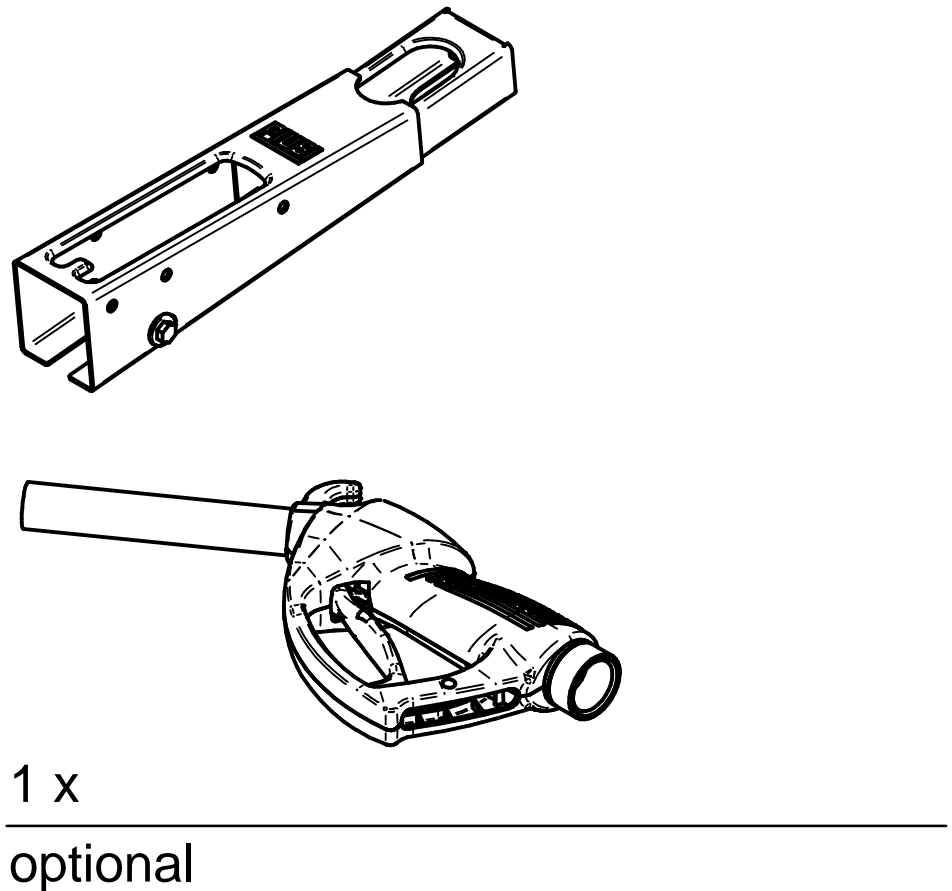
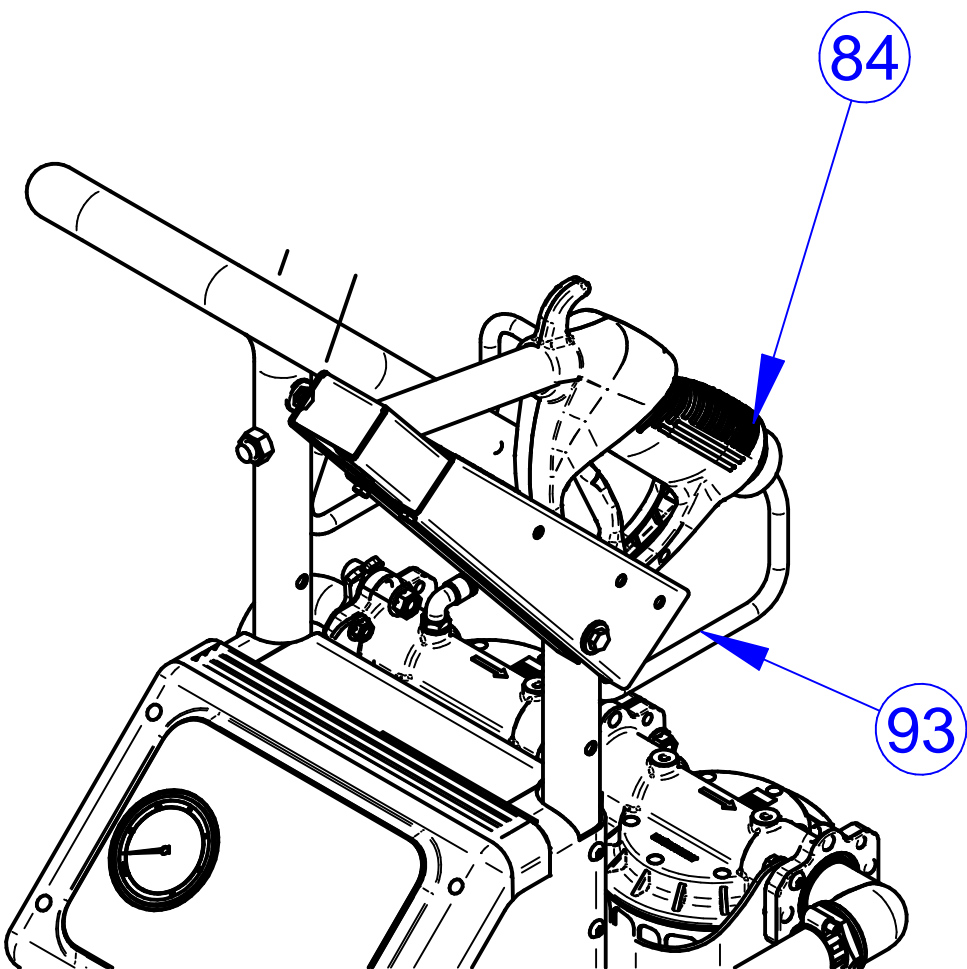
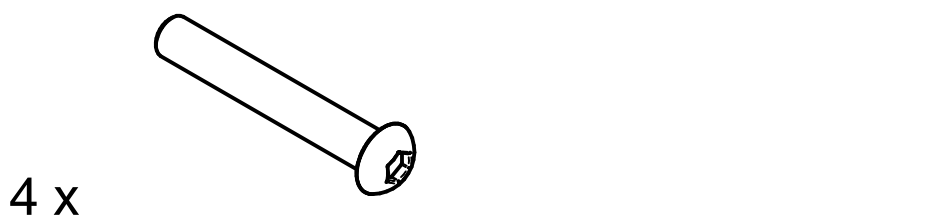
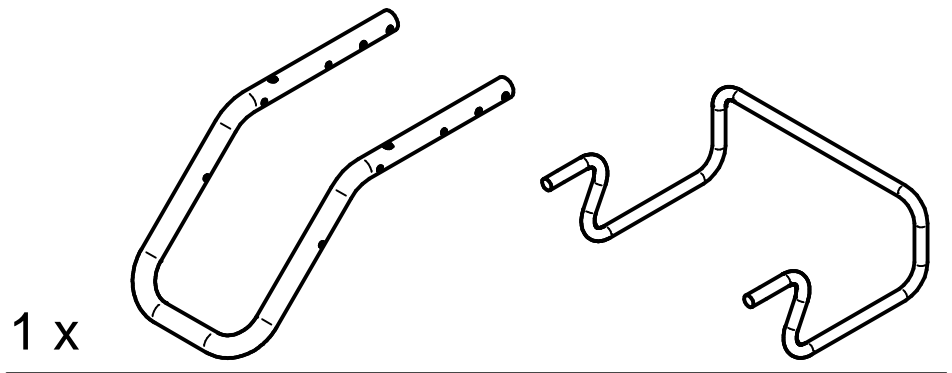
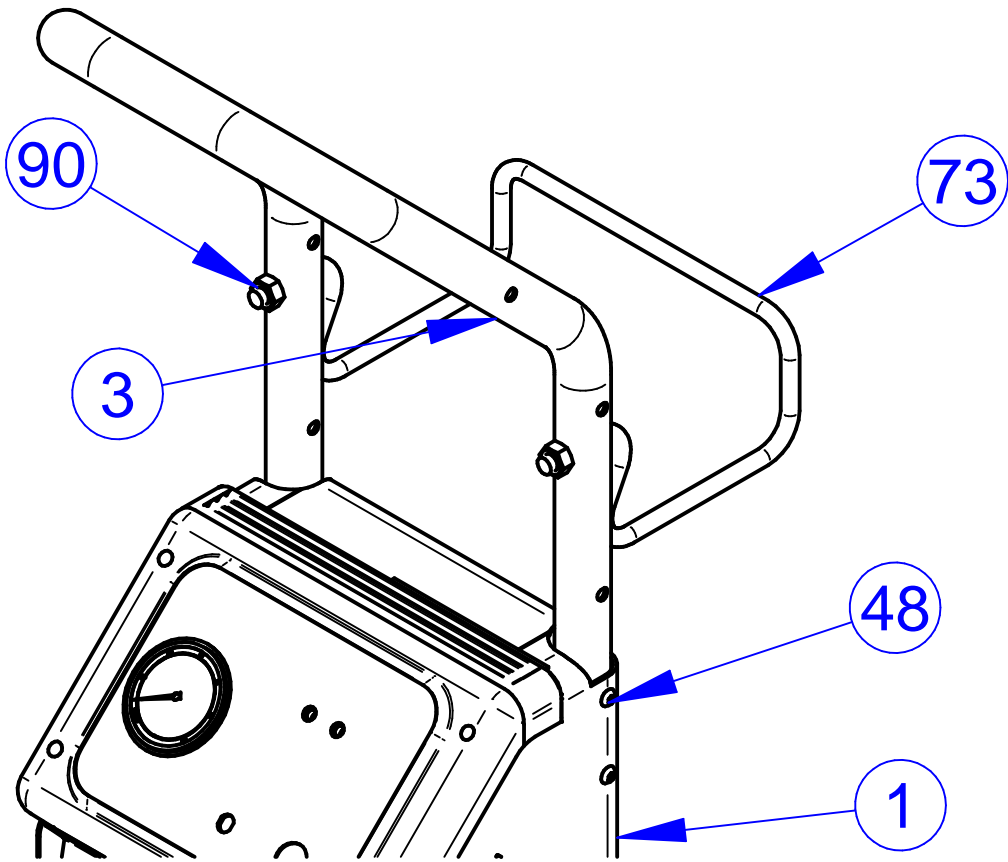
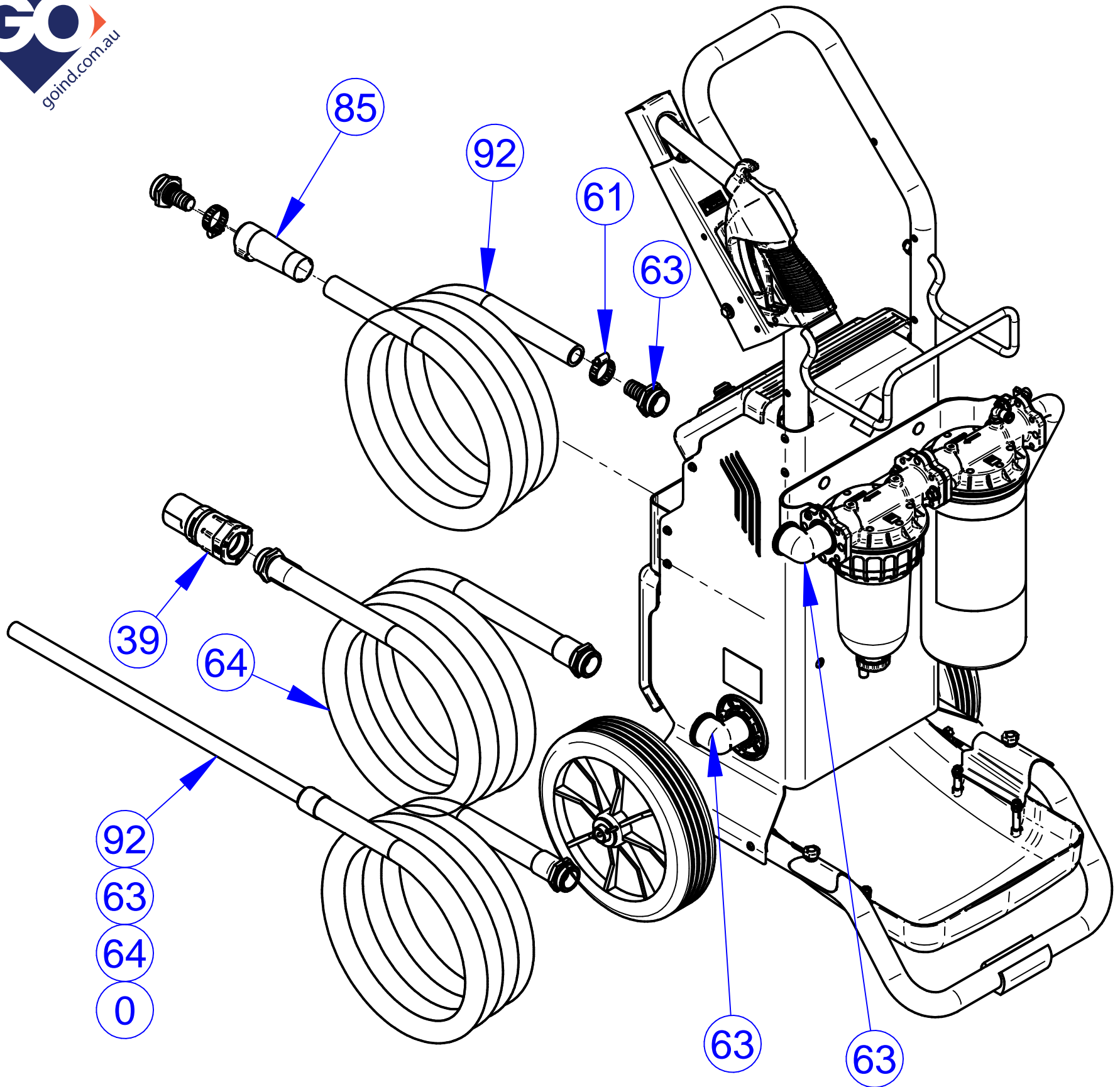


FOLLOW THE STEPS FOR A CORRECT ASSEMBLING



FOLLOW THE STEPS FOR A CORRECT ASSEMBLING



assemble the pipe foreseen by the kit

