



24N318 Round Spray Kit

3A2498A
EN

To convert a Pro Xp™
Electrostatic Air Spray Gun to a round spray pattern. For professional use only.



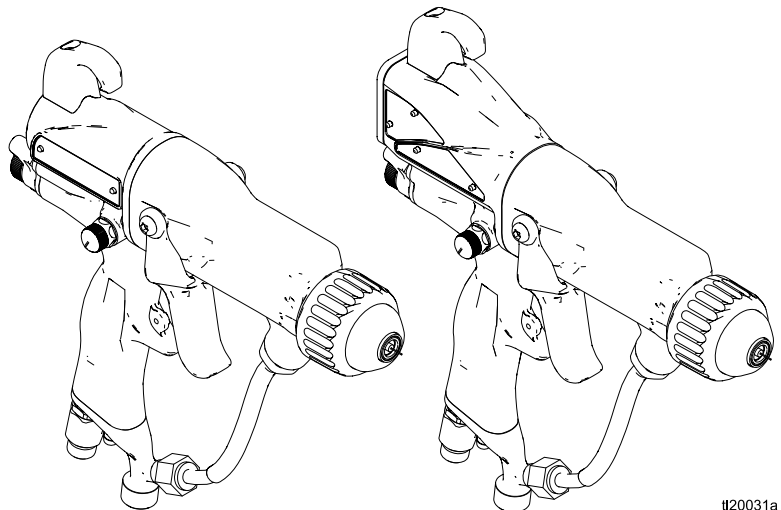
Important Safety Instructions

Read all warnings and instructions in this manual and in your Pro Xp
Electrostatic Air Spray Gun manual. **Save these instructions.**

100 psi (0.7 MPa, 7.0 bar) Maximum
Fluid Working Pressure

100 psi (0.7 MPa, 7.0 bar) Maximum
Air Working Pressure

See page 4 for part numbers. Gun is
not included.



#20031a

Installation

				
<p>To reduce the risk of injury, follow the Pressure Relief Procedure in your Pro Xp manual before installing this kit.</p>				

1. Flush the gun as instructed in your gun manual. Relieve the pressure.
2. Remove the retaining ring and air cap.

NOTICE

Trigger the gun while removing the nozzle to help drain the gun and prevent any paint or solvent left in the gun from entering the air passages.

3. Trigger the gun while removing the fluid nozzle.

NOTICE

Use non-silicone grease, Part No. 111265, on the small o-ring (4b). Do not over-lubricate. Do not lubricate the conductive contact ring (4a).

4. Make sure the conductive contact ring (4a) and the small o-ring (4b) are in place on the round spray nozzle (4). Lightly lubricate the small o-ring (4b).

5. Make sure the electrode needle is finger-tight.
6. Trigger the gun while installing the fluid nozzle (4) with the multi-tool provided with the gun. Tighten until the fluid nozzle seats in the gun barrel (1/8 to 1/4 turn past hand-tight).
7. Install the round spray diffuser (49) and air cap (5). Reinstall the retaining ring (6).

NOTE: Items marked with a ★ are shown for reference and are not included in the kit.

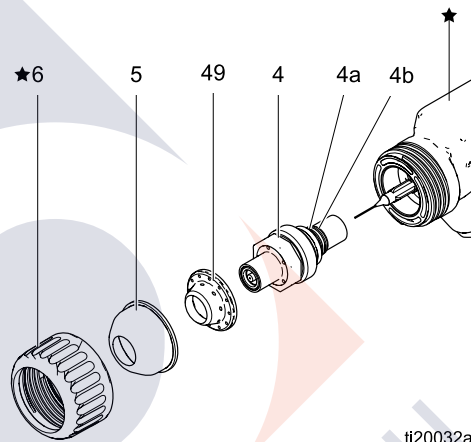


Figure 1 Round Spray Air Cap, Diffuser, and Nozzle

ti20032a

8. Place a wrench on the flats of the air adjustment valve housing and unscrew the valve from the gun.
9. Screw the new air adjustment valve (30) into the gun, using a wrench on the flats of the valve housing. Torque to 15 in-lb (1.7 N•m).

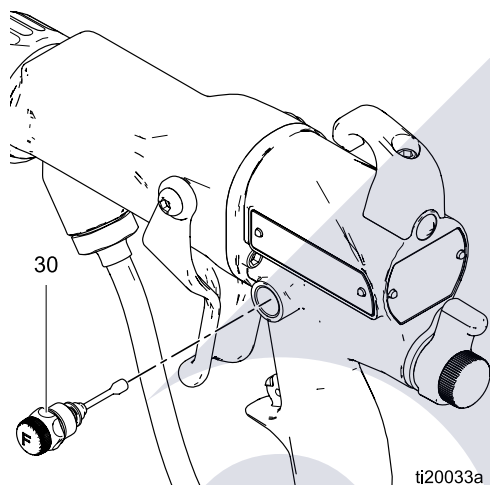


Figure 2 Fan Air Adjustment Valve

10. Place a wrench on the flats of the atomizing air restrictor valve housing and unscrew the valve from the gun.

11. Screw the new atomizing air restrictor valve (29) into the gun, using a wrench on the flats of the valve housing. Torque to 15 in-lb (1.7 N•m).

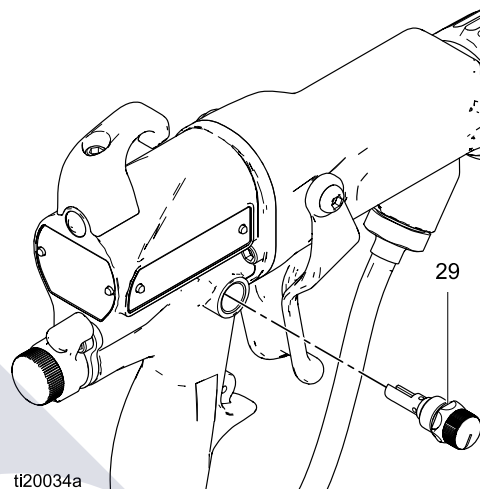


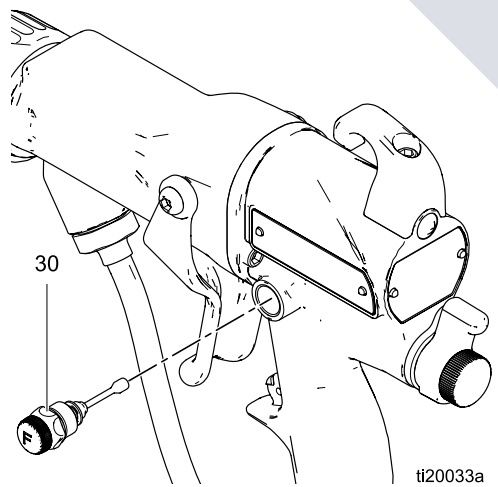
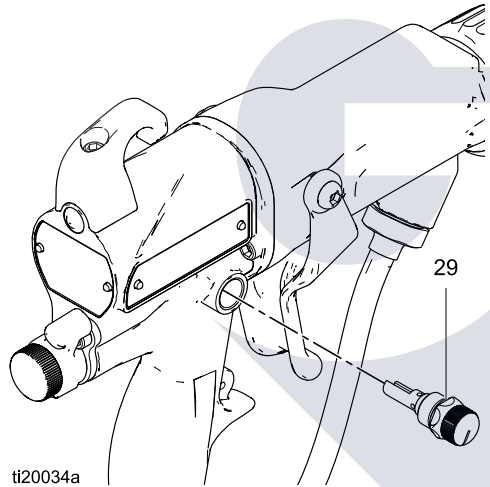
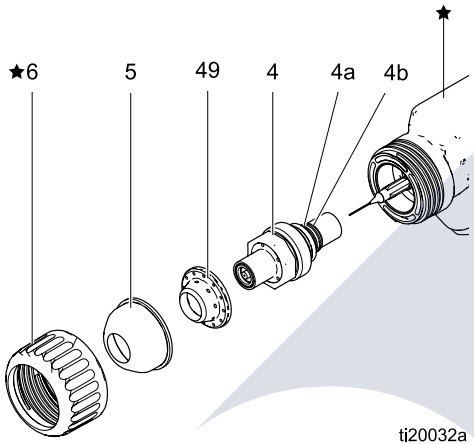
Figure 3 Atomizing Air Restrictor Valve

12. Test the gun resistance as instructed in your gun manual.

Parts

NOTE: Items marked with a ★ are shown for reference and are not included in the kit.




Ref. No.	Part No.	Description	Qty
4	24N729	NOZZLE, round spray	1
4a	24N645	O-RING, conductive	1
4b	111507	O-RING; fluoroelastomer	1
5	24N731	AIR CAP, round spray	1
29	24N733	ATOMIZING AIR RESTRICTOR VALVE, round spray	1
30	24N732	FAN AIR ADJUSTMENT VALVE, round spray	1
49	24N730	DIFFUSER, round spray	1

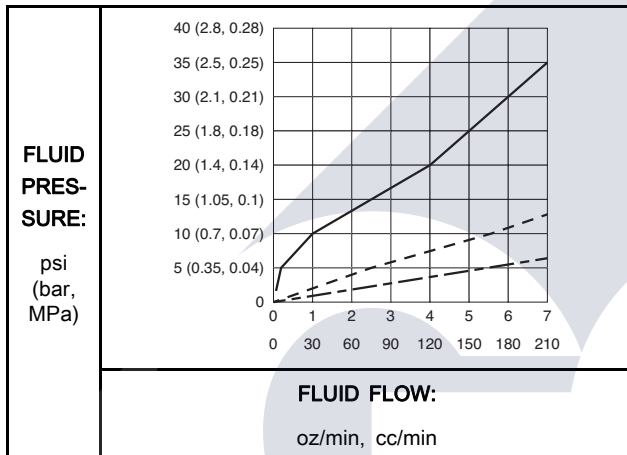


goind.com.au

Performance Chart

Key

Heavy viscosity; 30 sec, #3 Zahn	
Medium viscosity; 30 sec, #2 Zahn	
Light viscosity; 18 sec, #2 Zahn	



Air Flow Adjustment

In most applications using the round spray kit, it is desirable to use a very low air flow through the air cap while maintaining enough pressure at the gun inlet for full electrostatic power (about 40 psi [0.3 MPa, 2.8 bar]). Use the gun's atomizing air restrictor valve to restrict the air cap air. The fan air adjustment valve can be used to adjust the pattern size from 4 to 8 in. (102 to 204 mm).

NOTE: The round spray kit is not recommended for flow rates greater than 7 oz/min (210 cc/min).

Graco Standard Warranty

Graco warrants all equipment referenced in this document which is manufactured by Graco and bearing its name to be free from defects in material and workmanship on the date of sale to the original purchaser for use. With the exception of any special, extended, or limited warranty published by Graco, Graco will, for a period of twelve months from the date of sale, repair or replace any part of the equipment determined by Graco to be defective. This warranty applies only when the equipment is installed, operated and maintained in accordance with Graco's written recommendations.

This warranty does not cover, and Graco shall not be liable for general wear and tear, or any malfunction, damage or wear caused by faulty installation, misapplication, abrasion, corrosion, inadequate or improper maintenance, negligence, accident, tampering, or substitution of non-Graco component parts. Nor shall Graco be liable for malfunction, damage or wear caused by the incompatibility of Graco equipment with structures, accessories, equipment or materials not supplied by Graco, or the improper design, manufacture, installation, operation or maintenance of structures, accessories, equipment or materials not supplied by Graco.

This warranty is conditioned upon the prepaid return of the equipment claimed to be defective to an authorized Graco distributor for verification of the claimed defect. If the claimed defect is verified, Graco will repair or replace free of charge any defective parts. The equipment will be returned to the original purchaser transportation prepaid. If inspection of the equipment does not disclose any defect in material or workmanship, repairs will be made at a reasonable charge, which charges may include the costs of parts, labor, and transportation.

THIS WARRANTY IS EXCLUSIVE, AND IS IN LIEU OF ANY OTHER WARRANTIES, EXPRESS OR IMPLIED, INCLUDING BUT NOT LIMITED TO WARRANTY OF MERCHANTABILITY OR WARRANTY OF FITNESS FOR A PARTICULAR PURPOSE.

Graco's sole obligation and buyer's sole remedy for any breach of warranty shall be as set forth above. The buyer agrees that no other remedy (including, but not limited to, incidental or consequential damages for lost profits, lost sales, injury to person or property, or any other incidental or consequential loss) shall be available. Any action for breach of warranty must be brought within two (2) years of the date of sale.

GRACO MAKES NO WARRANTY, AND DISCLAIMS ALL IMPLIED WARRANTIES OF MERCHANTABILITY AND FITNESS FOR A PARTICULAR PURPOSE, IN CONNECTION WITH ACCESSORIES, EQUIPMENT, MATERIALS OR COMPONENTS SOLD BUT NOT MANUFACTURED BY GRACO. These items sold, but not manufactured by Graco (such as electric motors, switches, hose, etc.), are subject to the warranty, if any, of their manufacturer. Graco will provide purchaser with reasonable assistance in making any claim for breach of these warranties.

In no event will Graco be liable for indirect, incidental, special or consequential damages resulting from Graco supplying equipment hereunder, or the furnishing, performance, or use of any products or other goods sold hereto, whether due to a breach of contract, breach of warranty, the negligence of Graco, or otherwise.

FOR GRACO CANADA CUSTOMERS

The Parties acknowledge that they have required that the present document, as well as all documents, notices and legal proceedings entered into, given or instituted pursuant hereto or relating directly or indirectly hereto, be drawn up in English. Les parties reconnaissent avoir convenu que la rédaction du présente document sera en Anglais, ainsi que tous documents, avis et procédures judiciaires exécutés, donnés ou intentés, à la suite de ou en rapport, directement ou indirectement, avec les procédures concernées.

Graco Information

For the latest information about Graco products, see www.graco.com.

To place an order, contact your Graco Distributor or call to identify the nearest distributor.

Phone: 612-623-6921 **or Toll Free:** 1-800-328-0211 **Fax:** 612-378-3505

All written and visual data contained in this document reflects the latest product information available at the time of publication.

Graco reserves the right to make changes at any time without notice.

Original Instructions. This manual contains English, MM 3A2498

Graco Headquarters: Minneapolis

International Offices: Belgium, China, Japan, Korea

GRACO INC. AND SUBSIDIARIES • P.O. BOX 1441 • MINNEAPOLIS, MN 55440-1441 • USA

Copyright 2012, Graco Inc. All Graco manufacturing locations are registered to ISO 9001.

www.graco.com