



Spare parts

Search by product name
For example: delphin

Product code
F1398000C

Filter results Item in production Item discontinued

SEARCH AND UPDATE

| Document code | Description | Status |
|---------------|---------------------------------|--------------------|
| F1398000C | MCBOX_230V50/60HZ_80U_IBP 2018* | Item in Production |

PIUSI

DESCRIPTION:
MC BOX 230/120V

CODE:
LR_A00058

LAST RELEASE:
MAY 2022

Some components may vary in shape and color or not be present. Always follow codes and quantity shown in list. ○ fixed components □ variable components - - - only reference

piusi.com The information contained in this drawing is property of PIUSI and any reproduction in part or as a whole without the written permission of PIUSI S.p.a. is prohibited.

Spare part

| | | | |
|-----------|---|--------------------------------|-------|
| F1685400B | 1 | MCBOX EXTERNAL METAL PART* | |
| R1591400A | 2 | KIT PANEL MC 230V 50/60Hz 80U* | Draft |

PIUSI

DESCRIPTION:
MC BOX PANEL

CODE:
LR_G00015

LAST RELEASE:
SEPTEMBER 2020



Some components may vary in shape and color or not be present. Always follow codes and quantity shown in list. ○ fixed components □ variable components --- only reference

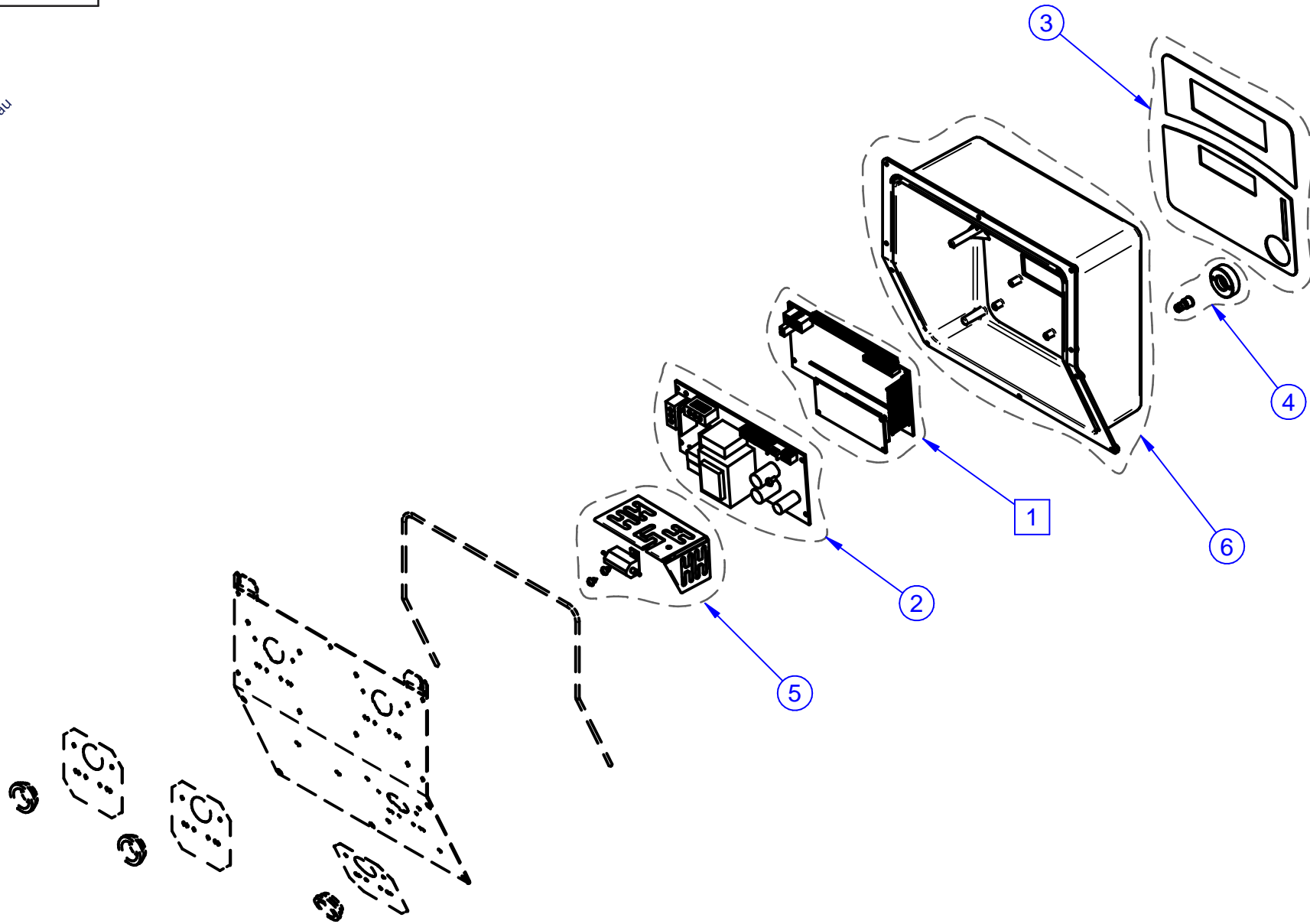
piusi.com

The information contained in this drawing is property of PIUSI and any reproduction in part or as a whole without the written permission of PIUSI S.p.A. is prohibited.

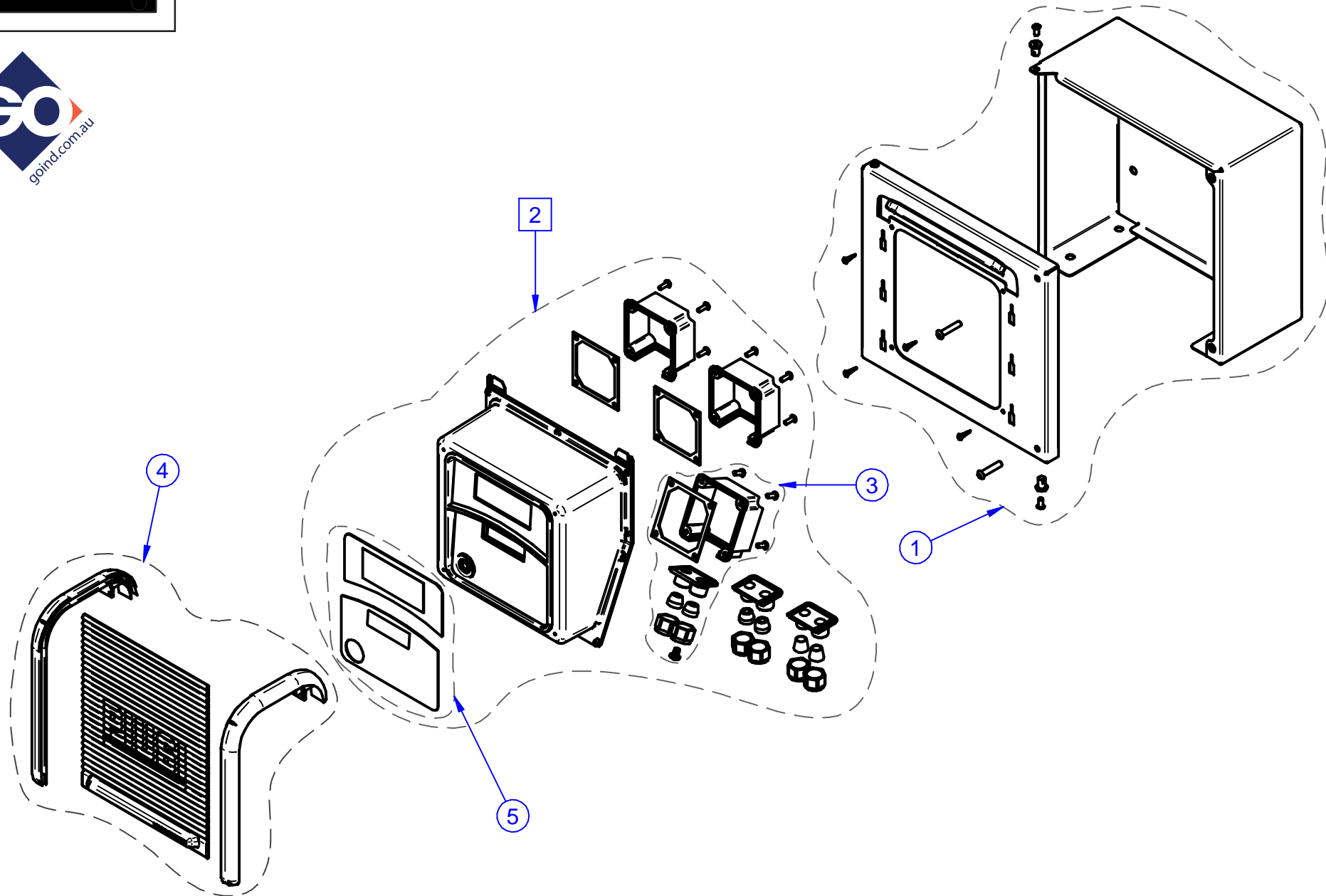
Spare part

| | | |
|-----------|---|---|
| R15913000 | 1 | BOARD CPU+Display SS MC/MCBOX IB-PIUSI* |
| R11997000 | 2 | BOARD INTERFACE I/O 230 V* |
| R1342900C | 3 | KEYBOARD WITH FR4 MC AND LABEL. KIT* |
| R14343000 | 4 | KIT I-BUTTON CUBE MC/SS MC* |
| R1262300A | 6 | PLASTIC BLACK COVER PANEL CUBE MC* |
| R1270300A | 5 | KIT HEATER CUBE/SS MC* |
| R13428000 | 3 | ZZKIT COVER TERMINAL BOX MC* |
| R1537800B | 4 | KIT DISPLAY COVER CUBE MC* |





Some components may vary in shape and color or not be present. Always follow codes and quantity shown in list. ○ fixed components □ variable components - - - only reference



Some components may vary in shape and color or not be present. Always follow codes and quantity shown in list. ○ fixed components □ variable components - - - only reference