



Spare parts

Search by product name
For example: delphin

Product code
Fo074101D

Filter results Item in production Item discontinued

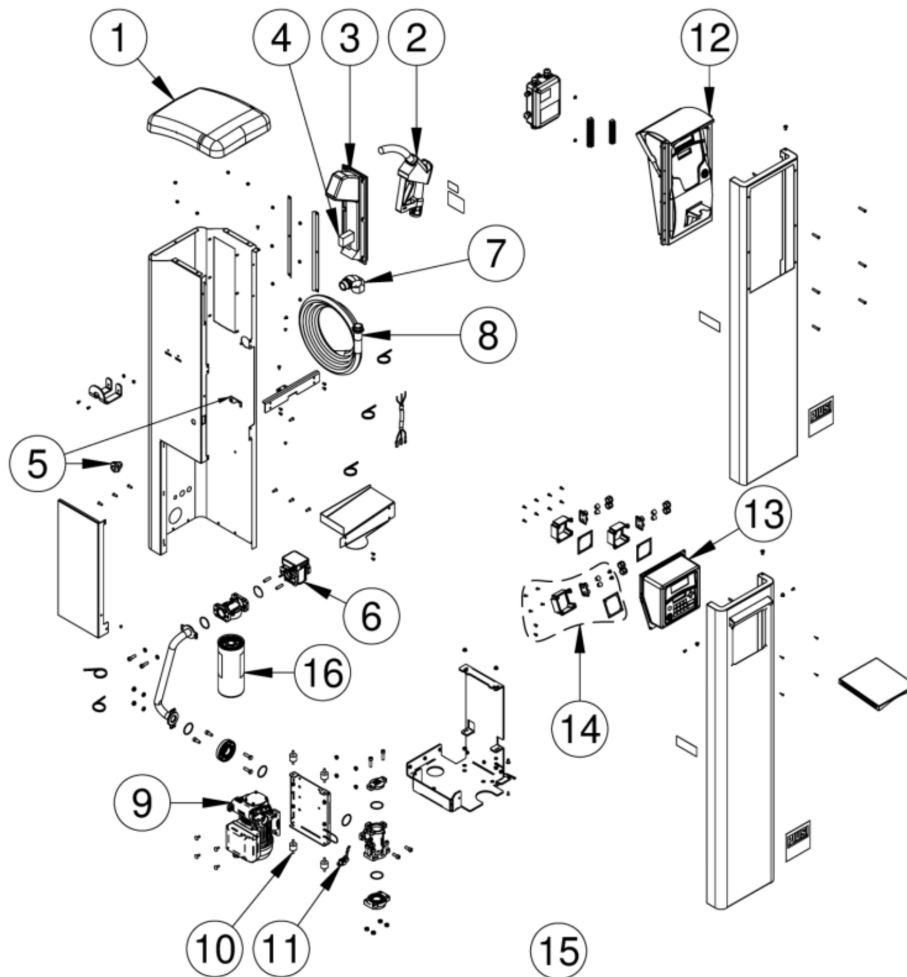
SEARCH AND UPDATE



Document code	Description	Status
Fo074101D	SELF SERVICE 100 MC 230/50 IB-P 2018*	Item in Production

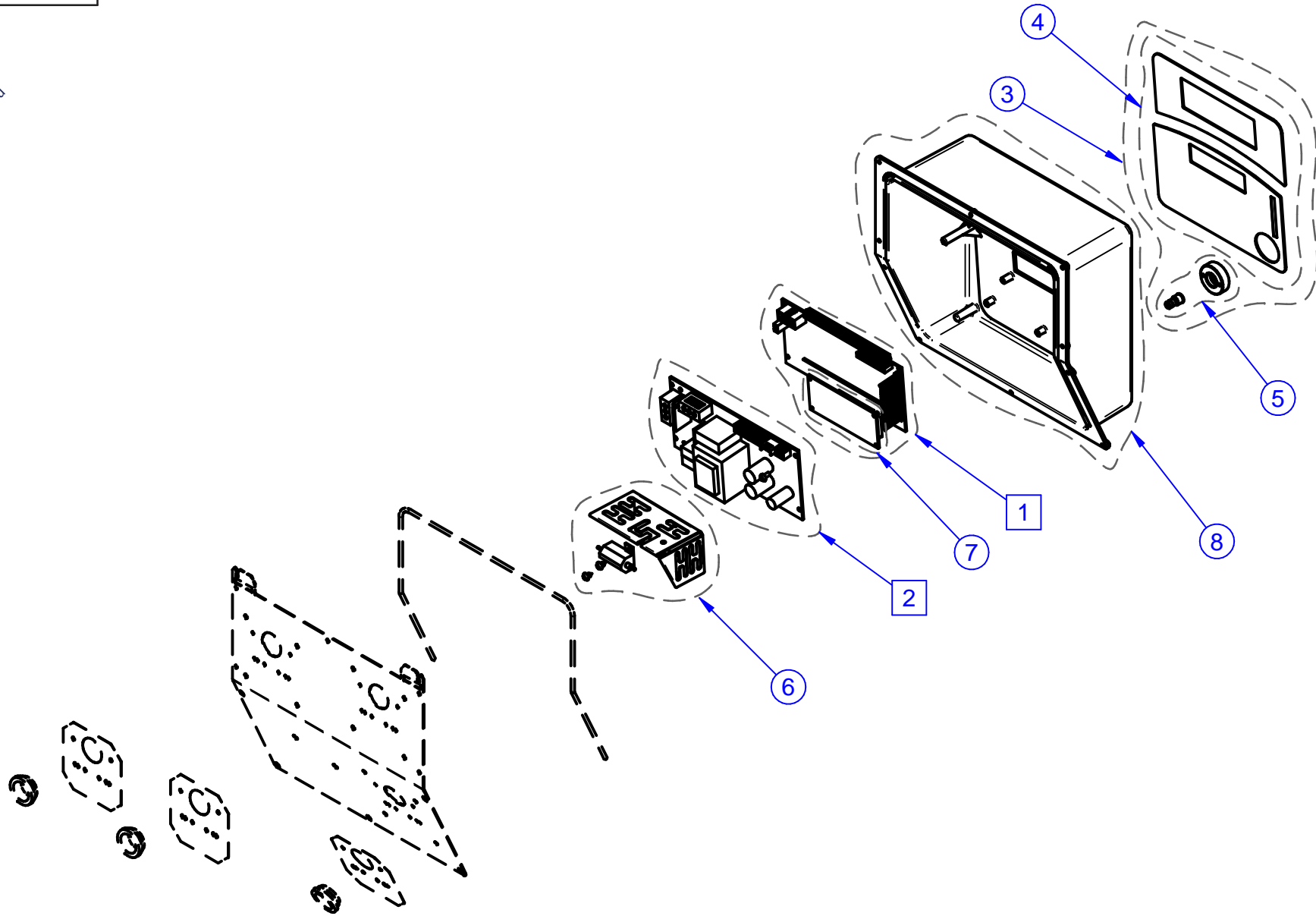


SELF SERVICE MC-FM - SELF SERVICE TANK MC-FM

LR_A00036



		Spare part		
R1235900A	1	BLACK SelfSERVICE COVER*		
F00610020	2	AUTOMATIC NOZZLE A120 W/SWIVEL 1" BSP*		
F1623900B	3	NOZZLE HOLDER SS+CABLED SWITCH FM/MC*		
R17111000	4	SWITCH FOR NOZZLE BOOT WITH CABLE*		
R16776000	5	LOCK KIT*		
R16783000	6	K600/3 PRESS.PULSER CABLE 1,05mt SS*		
F14567000	7	ROTATING ELBOW 90° M 1" BSP / F 1" BSP*		
F08977000	8	DIESEL HOSE D.25 CRIMPED 1"/1" 4MT*		
+ 000326000	9	E120/M*	Item in Production	
R16777000	10	ANTI VIBRATION KIT (4PZ)*		
R1127400A	11	KIT PRIMING DEVICE G1/4in*		
+ R1320500E	13	PANEL SELF SERVICE MC IB-PIUSI*	Draft	
R16784000	14	SS MC TERMINAL BOX COVER KIT*		
R16779000	15	KIT SCREWS + GASKETS*		
F1541600A	16	CARTRIDGE FILT 150 l/min WATER CAPTOR-IT*		
R1537800B	18	KIT DISPLAY COVER CUBE MC*		
R16245000	20	FLARED PIPE FOR SELF SERVICE MC/FM*		



Some components may vary in shape and color or not be present. Always follow codes and quantity shown in list. ○ fixed components □ variable components - - - only reference



Spare part

R1227200D	1	BOARD CPU+Display SS MC IB-PIUSI*
R11997000	2	BOARD INTERFACE I/O 230 V*
R1261500B	3	KEYBOARD WITH FR4+KEYREADER CUBE MC,KIT*
R1342900C	4	KEYBOARD WITH FR4 MC AND LABEL, KIT*
R14343000	5	KIT I-BUTTON CUBE MC/SS MC*
R1270300A	6	KIT HEATER CUBE/SS MC*
R15761000	7	DISPLAY 2x16 SELF SERVICE*
R1262300A	8	PLASTIC BLACK COVER PANEL CUBE MC*

Spare parts



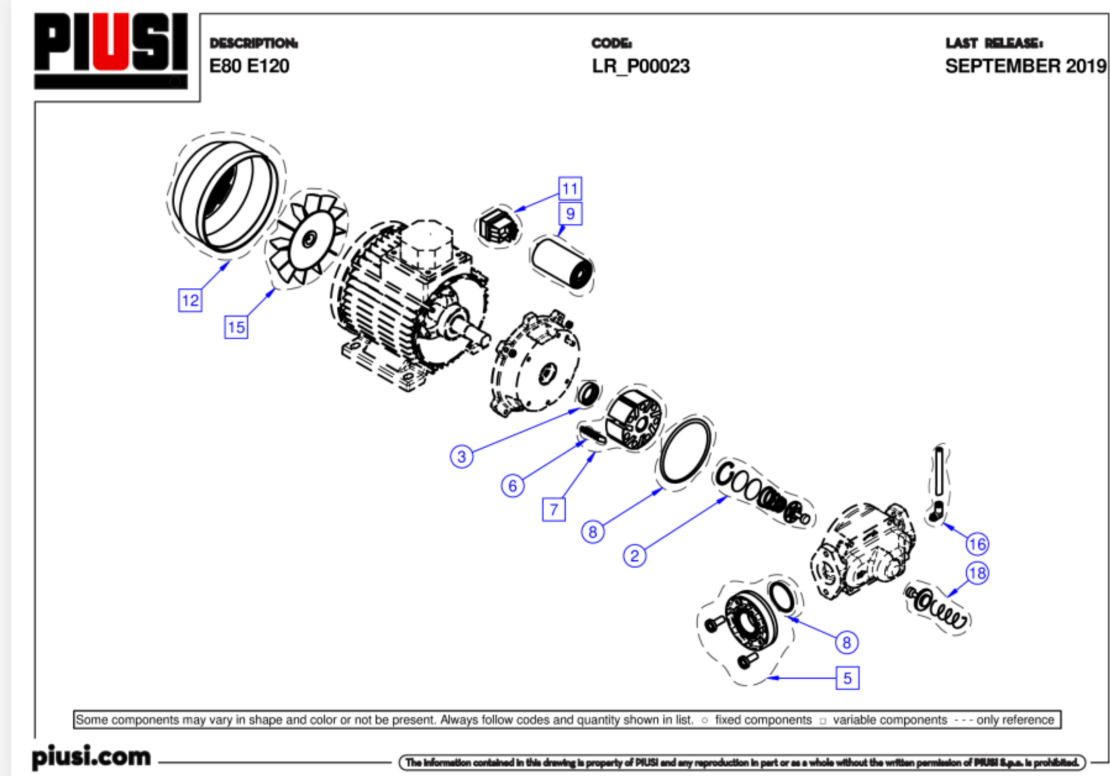
Search by product name
For example: delphin

Product code
000326000

Filter results Item in production Item discontinued

SEARCH AND UPDATE

Document code	Description	Status
000326000	E120/M*	Item in Production



Spare part

R13851000	1	GROUP PLUG 1G + GASKET*
R08772000	3	KIT SEAL BABSL 20/30/7 IN VITON*
F0918000A	5	KIT FLANGE 1" BSP (2 PCS)*
R0700200A	6	KIT NR.7 pcs VANES E80/E120/S120*
R0785400A	7	KIT ROTOR E120 WITH VANES*
R08194000	9	KIT CONDENSER 25uF MOTOR 1 HP*
R0819600A	10	KIT TERMINAL BOX 1HP 230V / 50Hz*
R16657000	11	BIPOLAR SWITCH 16A 250V*
R08182000	12	KIT FAN COVER MOTOR MEC 80*
R15815000	2	KIT BYPASS E80/E120 - MADE IN ITALY*
R1284600A	8	KIT GASKET O-RING*
R08210000	15	FAN MOTOR 1 HP*
F1392000A	16	KIT ANTI-SYPHON for P56/72 E80/120*