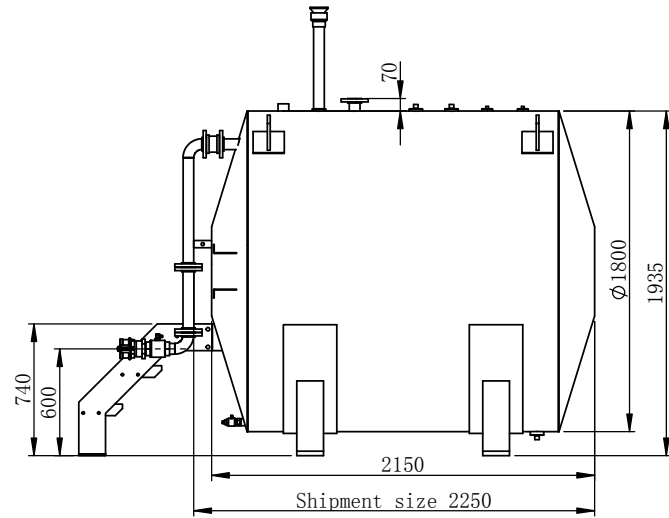


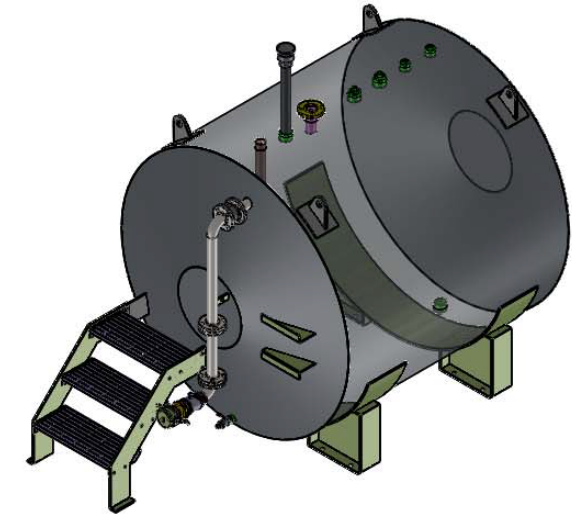
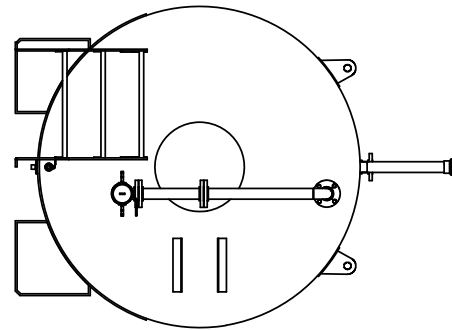
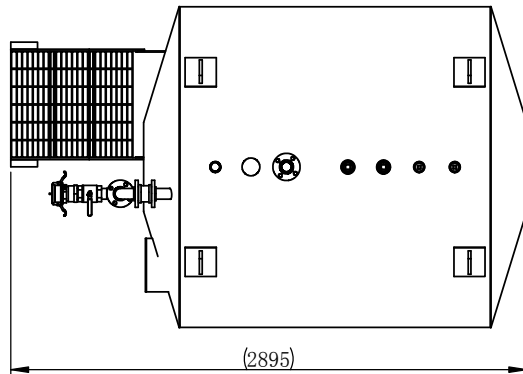
DO NOT SCALE FROM DRAWING. IF IN DOUBT: ASK

UNLESS OTHERWISE SPECIFIED, ALL DIMENSIONS ARE IN MILLIMETRES

BEWARE OF 100mm MEASURING ERROR

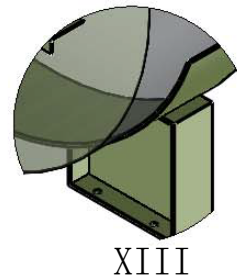
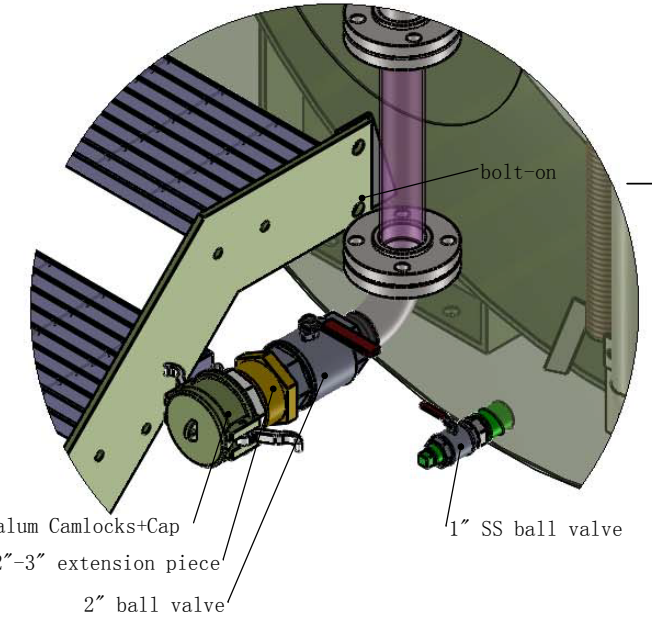
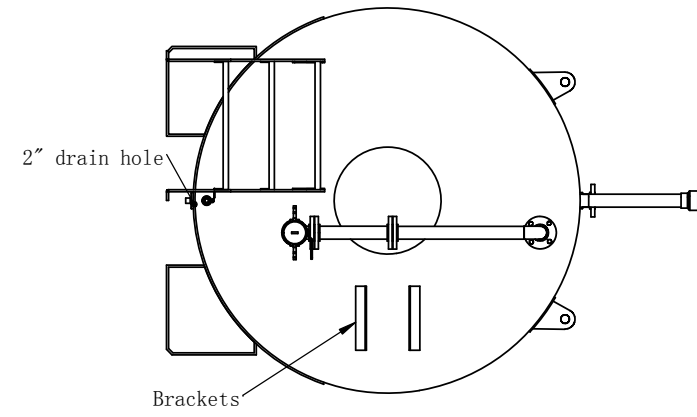
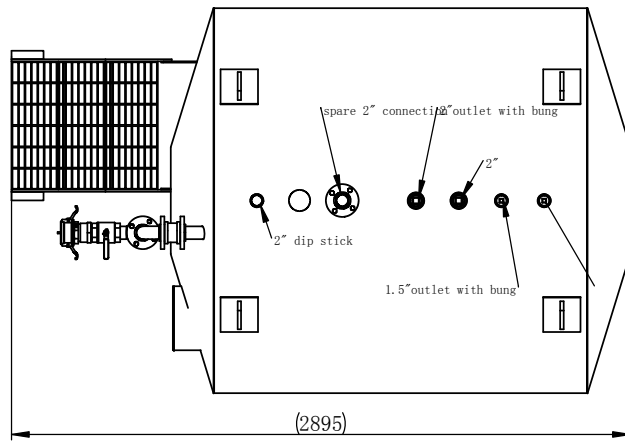
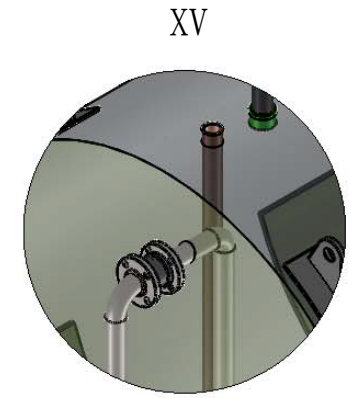
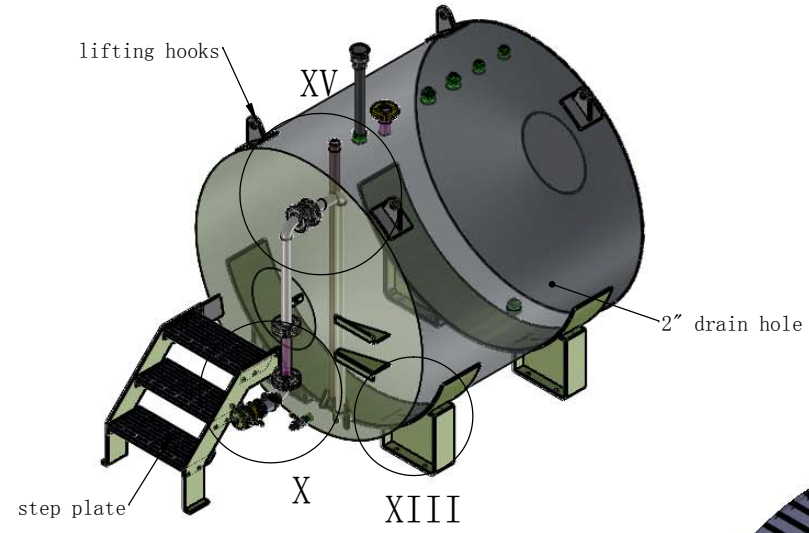
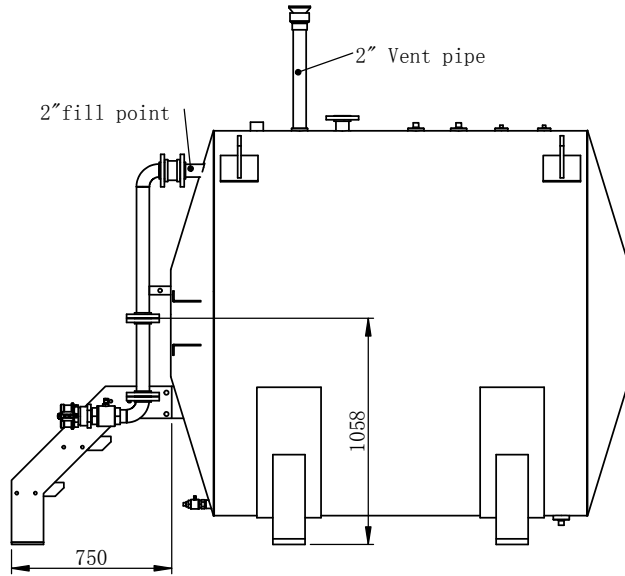


TANK DATA	
TANK CONTENTS:	DIESEL
DESIGNED TO:	AS1692
CORROSION ALLOW.	0mm
THICKNESS OF PLATE	3mm
GROSS VOLUME:	4,830L
HYD.TEST PRESSURE:	Gross level+150mm
SAFE FILL LEVEL	4,500L
N.D.T.	Refer fabrication & assembly plan
TOTAL MASS:	668kg (EMPTY)



Material of construction: Carbon steel Q235B

THIRD ANGLE PROJECTION			DWG NO. / PART NO. <b>FAR-4.5</b>	JOB NO.
COPYRIGHT © 2006			<b>FAR 4500L Safe Fill Level Single Wall Tank</b>	
		TITLE:		SHEET SIZE <b>A3</b>
NAME	DATE	SCALE: N.T.S.		REVISION <b>01</b>
DRAWN		TOLERANCE U.N.O.	WEIGHT: 668.30 Kg	
CHK'D		0 = -1.0		
APP'VD		0.0 = -0.4		
		0.00 = -0.1		

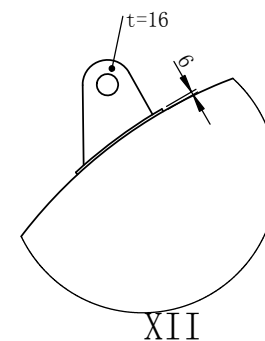
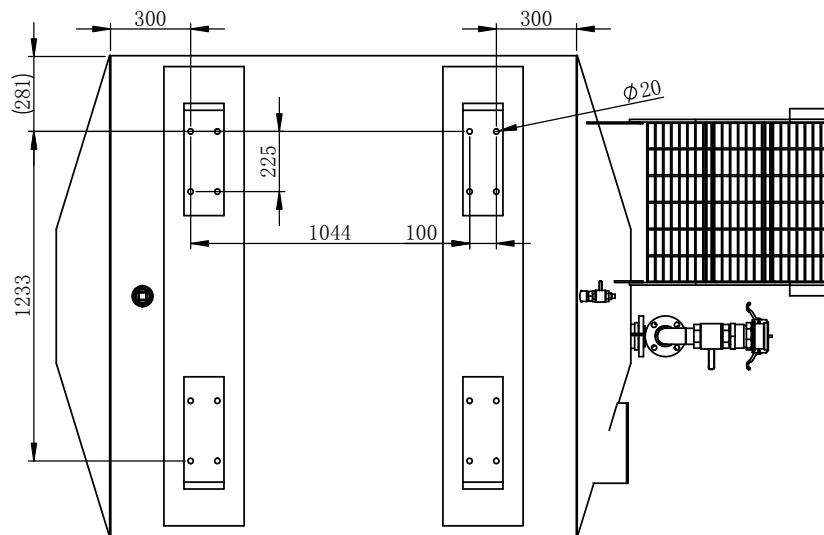
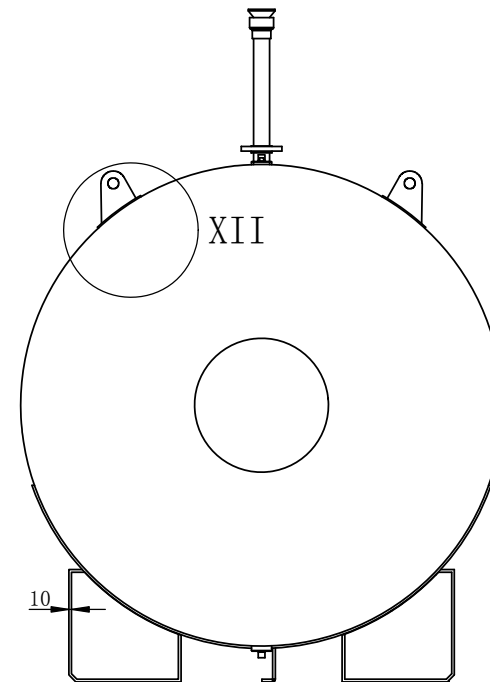
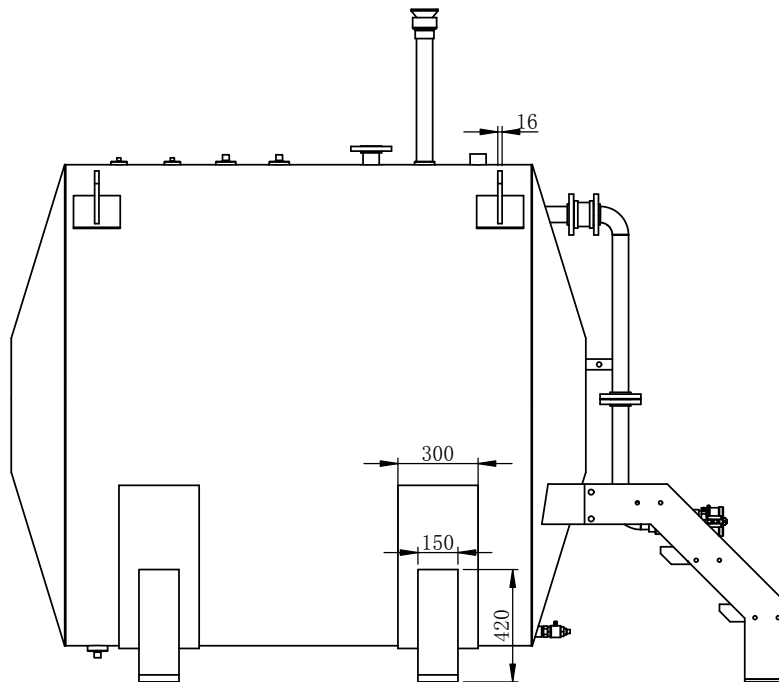


THIRD ANGLE PROJECTION			DWG NO. / PART NO. <b>FAR-4.5</b>	JOB NO.
COPYRIGHT © 2006			<b>FAR 4500L Safe Fill Level Single Wall Tank</b>	
NAME	DATE	TOLERANCE U.N.O.	TITLE:	SHEET SIZE <b>A3</b>
DRAWN		0 = -1.0		REVISION
CHK'D		0.0 = -0.4		
APP'VD		0.00 = -0.1	WEIGHT: 668.30 Kg	<b>01</b>
			SCALE: N.T.S.	

DO NOT SCALE FROM DRAWING. IF IN DOUBT: ASK

UNLESS OTHERWISE SPECIFIED, ALL DIMENSIONS ARE IN MILLIMETRES

BEWARE OF 100mm MEASURING ERROR



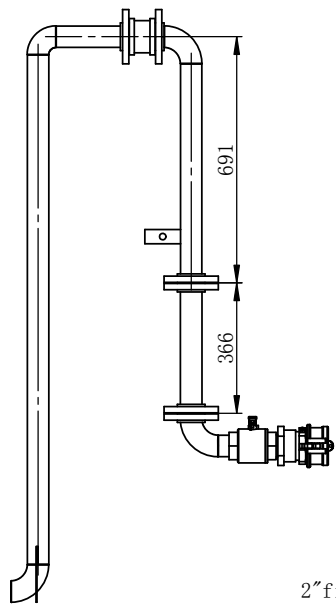
Saddle thickness:10mm  
 wrapper pad thickness:10mm  
 Lifting lug thickness:16mm  
 comp. pad thickness:6mm

THIRD ANGLE PROJECTION	
COPYRIGHT © 2006	
NAME	DATE
DRAWN	
CHK'D	
APP'VD	

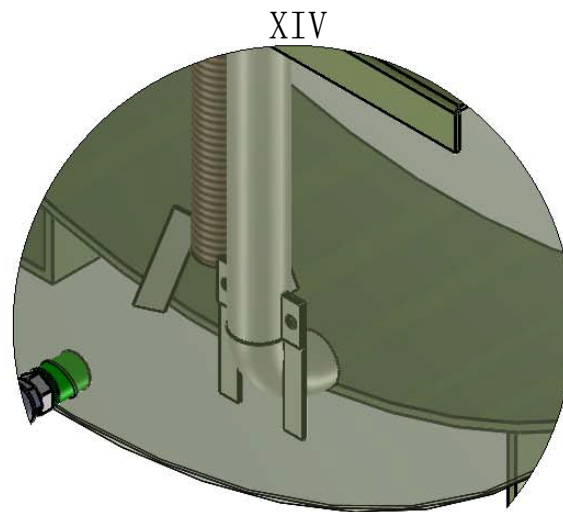
TOLERANCE U.N.O.	
0	= -1.0
0.0	= -0.4
0.00	= -0.1
MATERIAL	
WEIGHT: 668.30 Kg	



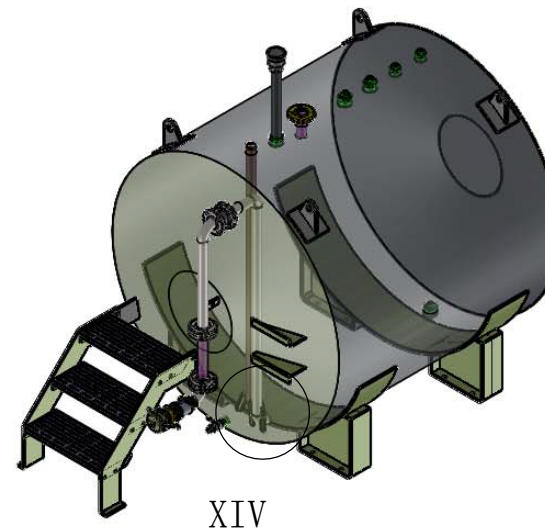
DWG NO. / PART NO.		JOB NO.	
FAR-4.5			
FAR 4500L Safe Fill Level Single Wall Tank			
TITLE:			SHEET SIZE
			A3
SCALE: N.T.S.			REVISION
			01



2"fill point



2"dip stick



THIRD ANGLE PROJECTION		
COPYRIGHT © 2006		
NAME	DATE	
DRAWN		
CHK'D		
APP'VD		

	TOLERANCE U.N.O.	MATERIAL:
	0 = -1.0	
	0.0 = -0.4	WEIGHT: Kg
	0.00 = -0.1	

DWG NO. / PART NO.	JOB NO.
<b>FAR-4.5</b>	
<b>FAR 4500L Safe Fill Level Single Wall Tank</b>	
TITLE:	SHEET SIZE
	<b>A3</b>
SCALE: N.T.S.	REVISION
	<b>01</b>