

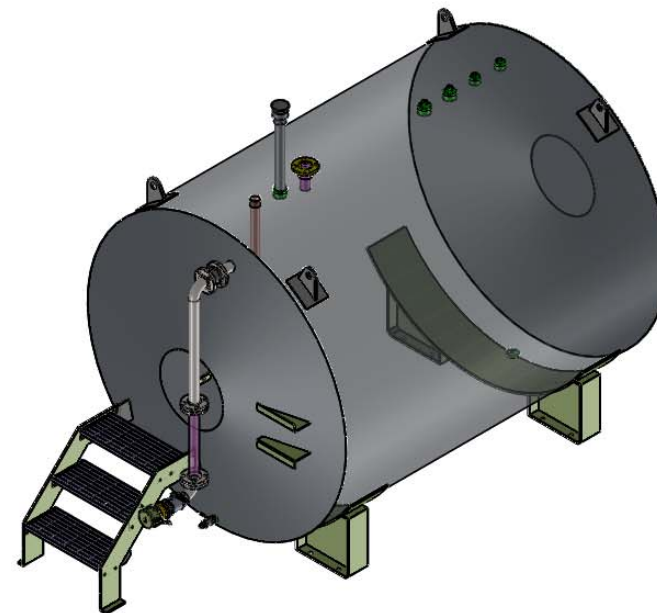
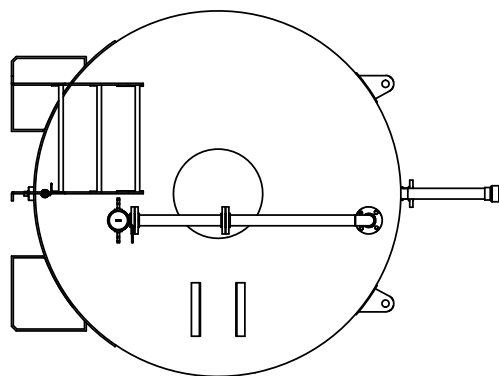
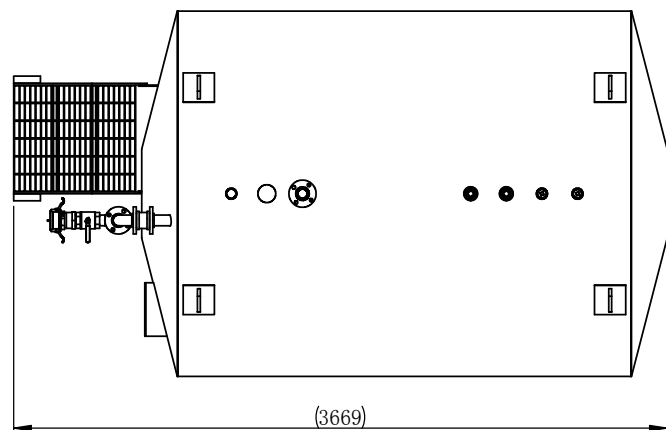
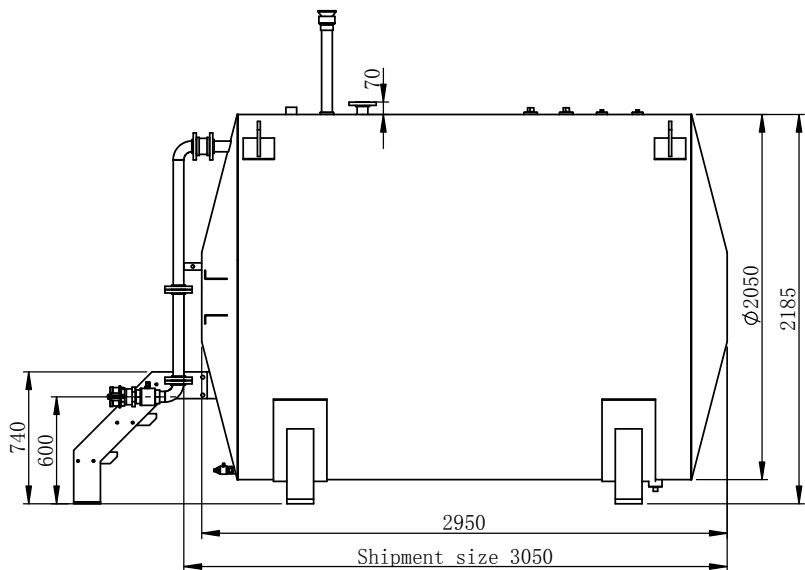
DO NOT SCALE FROM DRAWING. IF IN DOUBT: ASK

UNLESS OTHERWISE SPECIFIED, ALL DIMENSIONS ARE IN MILLIMETRES

BEWARE OF 100mm MEASURING ERROR

TANK DATA

TANK CONTENTS:	DIESEL
DESIGNED TO:	AS1692
CORROSION ALLOW.	0mm
THICKNESS OF PLATE	3mm
GROSS VOLUME:	8,948L
HYD.TEST PRESSURE:	Gross level+150mm
SAFE FILL LEVEL	8,500L
N.D.T.	Refer fabrication & assembly plan
TOTAL MASS:	850kg (EMPTY)



Material of construction: Carbon steel Q235B

THIRD ANGLE PROJECTION	
COPYRIGHT © 2016	
NAME	DATE
DRAWN	
CHK'D	
APPV'D	



TOLERANCE U.N.O.
0 = -1.0
0.0 = -0.4
0.00 = -0.1

MATERIAL:
WEIGHT: 850.21 Kg

DWG NO. / PART NO.

FAR-8.5

FAR 8500L Safe Fill Level Single Wall Tank

TITLE:

SCALE: N.T.S.

SHEET 1 OF 4

JOB NO.

SHEET SIZE

A3

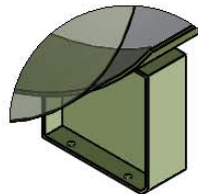
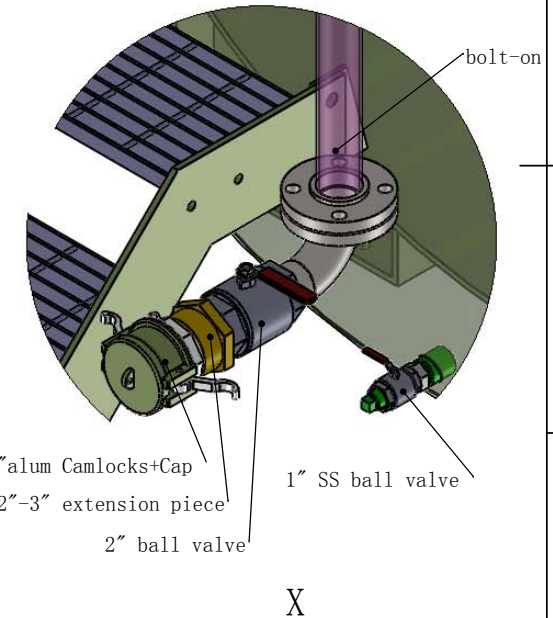
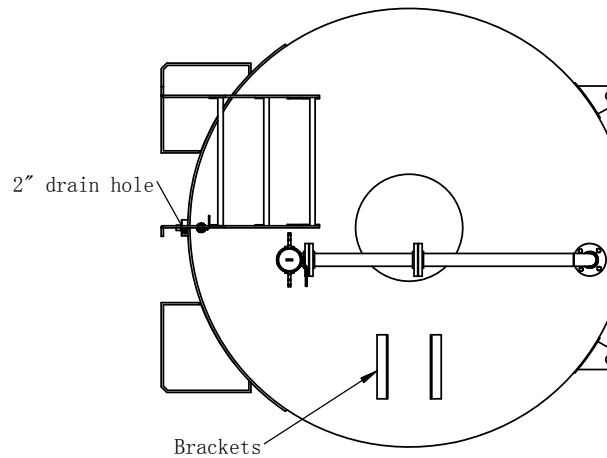
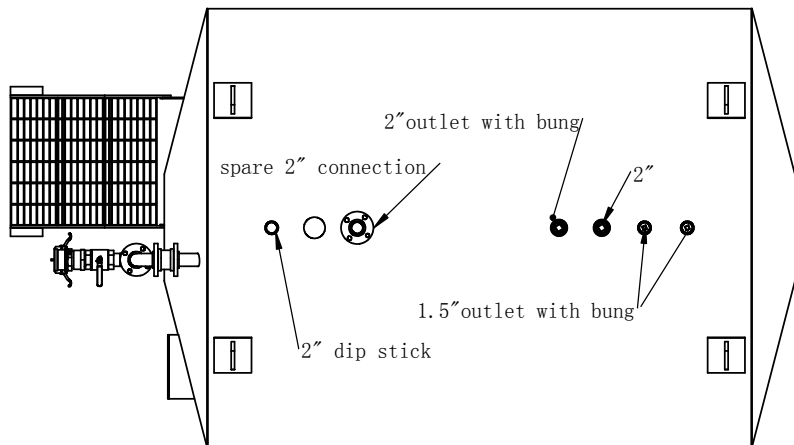
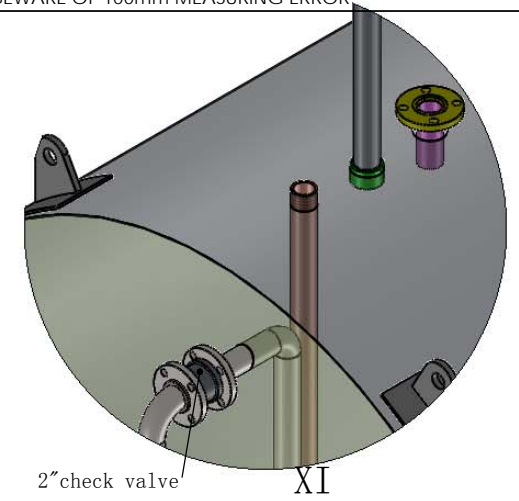
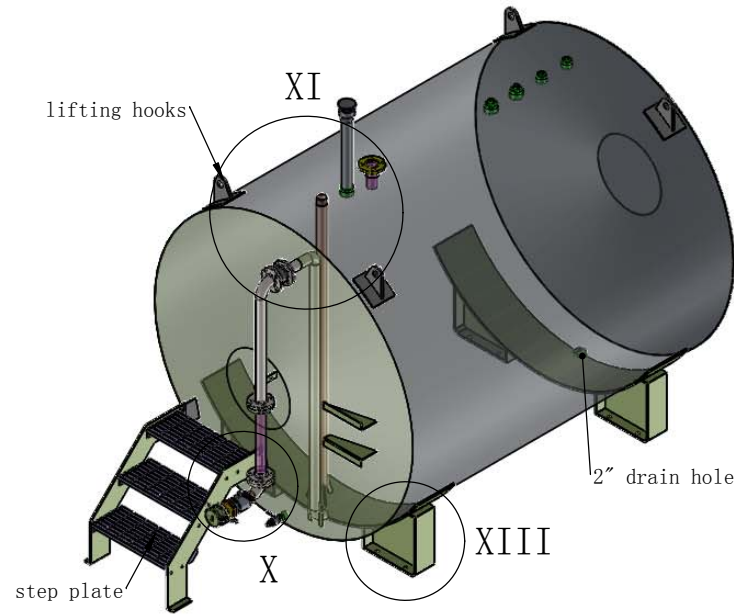
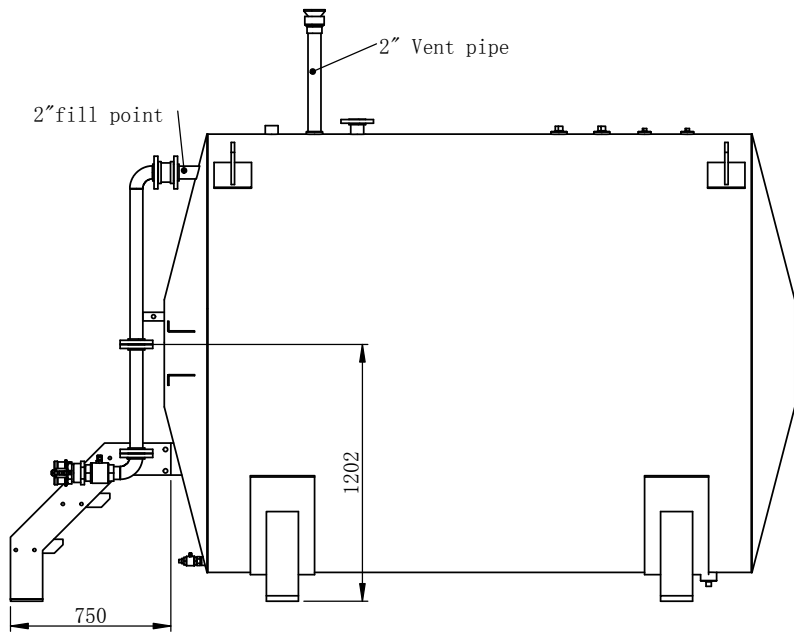
REVISION

01

DO NOT SCALE FROM DRAWING. IF IN DOUBT: ASK

UNLESS OTHERWISE SPECIFIED, ALL DIMENSIONS ARE IN MILLIMETRES

BEWARE OF 100mm MEASURING ERROR



XIII

THIRD ANGLE PROJECTION	
COPYRIGHT © 2006	
NAME	DATE
DRAWN	
CHK'D	
APP'VD	

TOLERANCE (U.N.O.)
0 = -1.0
0.0 = -0.4
0.00 = -0.1

MATERIAL

WEIGHT: 850.21 Kg



DWG NO. / PART NO.

FAR-8.5

JOB NO.

FAR 8500L Safe Fill Level Single Wall Tank

TITLE:

SHEET SIZE

A3

REVISION

SCALE: N.T.S.

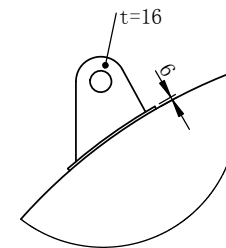
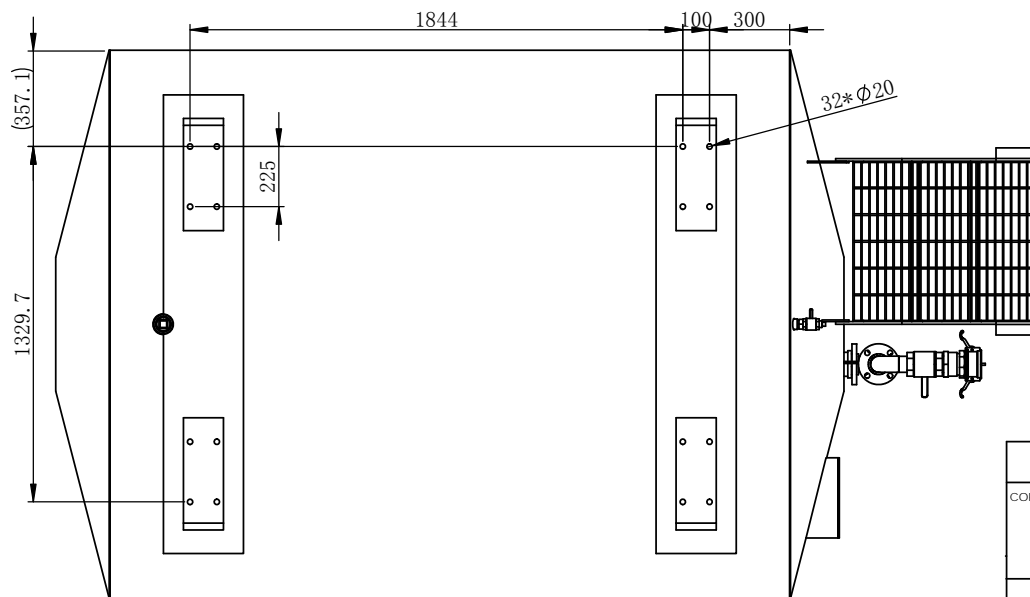
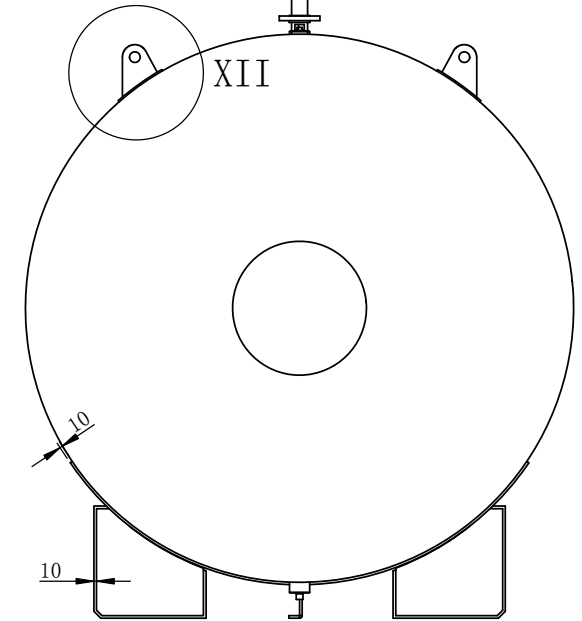
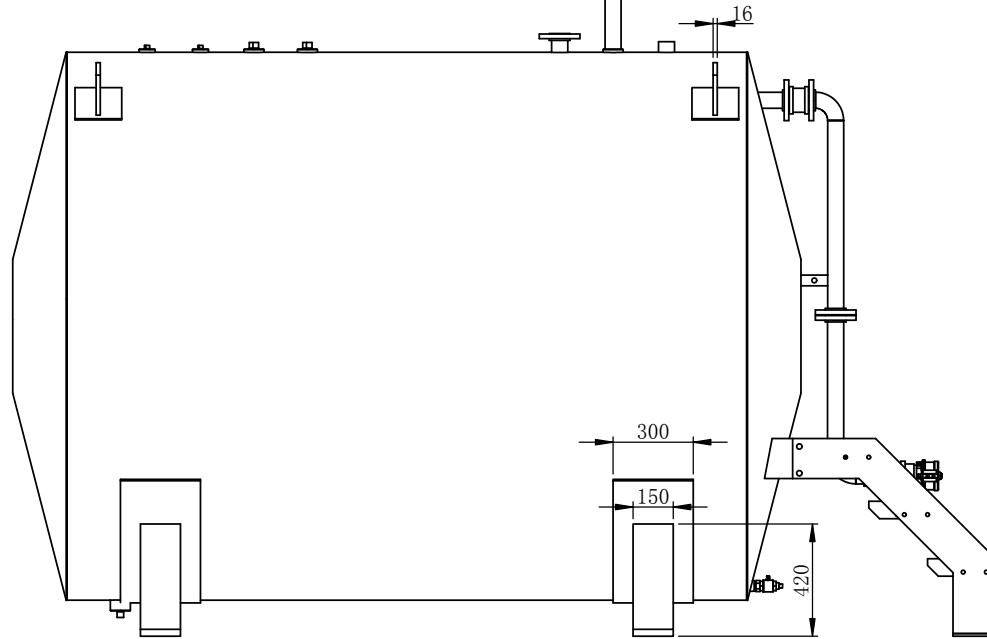
SHEET 2 OF 4

01

DO NOT SCALE FROM DRAWING. IF IN DOUBT: ASK


UNLESS OTHERWISE SPECIFIED, ALL DIMENSIONS ARE IN MILLIMETRES

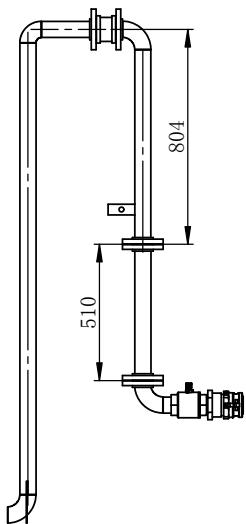
BEWARE OF 100MM MEASURING ERROR



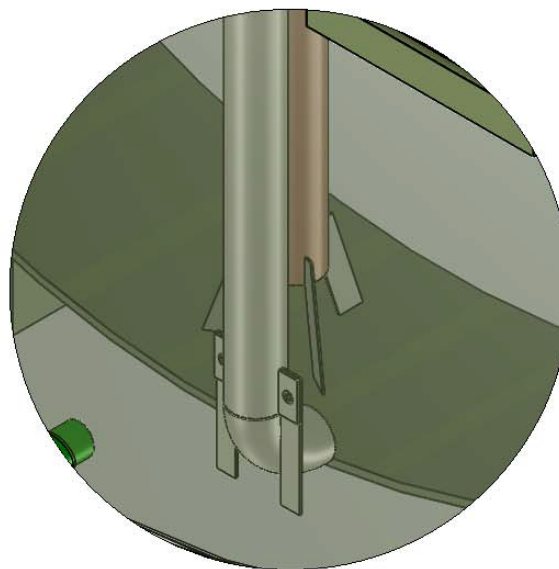
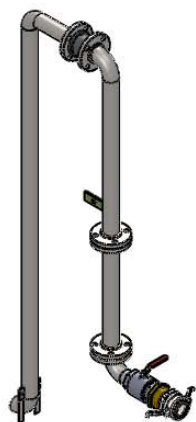
XII

Saddle thickness:10mm
 wrapper pad thickness:10mm
 Lifting lug thickness:16mm
 comp. pad thickness:6mm

THIRD ANGLE PROJECTION			DWG NO. / PART NO. FAR-8.5	JOB NO.
COPYRIGHT © 206			FAR 8500L Safe Fill Level Single Wall Tank	
		TITLE:		SHEET SIZE A3
DRAWN	NAME	DATE	REVISION	
CHK'D				
APP'VD			SCALE: N.T.S.	SHEET 3 OF 4
TOLERANCE U.N.O.		MATERIAL		01
0 = -1.0		WEIGHT: 850.21 Kg		
0.0 = -0.4				
0.00 = -0.1				



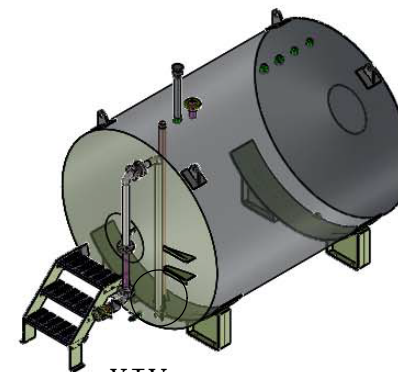
2" fill point




XIV



2" dip stick



XIV

THIRD ANGLE PROJECTION			DWG NO. / PART NO. FAR-8.5	JOB NO.
COPYRIGHT © 2016			FAR 8500L Safe Fill Level Single Wall Tank	
		TITLE:		SHEET SIZE A3
DRAWN	NAME	DATE	REVISION	
CHK'D			01	
APP'VD			SCALE: N.T.S.	SHEET 4 OF 4
TOLERANCE U.N.O.		MATERIAL:		WEIGHT: Kg
0 = -1.0				
0.0 = -0.4				
0.00 = -0.1				