



Frame, Roller

309322D
ENG

3600 psi (24.8 MPa, 248 bar) Maximum Working Pressure

*The best operating pressure is the lowest pressure that provides an even paint supply to the roller and typically does not exceed 300 psi (2.1 MPa, 21 bar).

Model 244271, Series C

- 9 in. (22.9 cm) length
- 7/8 in. inlet with 1/2 in. roller cover

Model 244623, Series C

- 9 in. (22.9 cm) length
- 1/8 in. inlet with 1/2 in. roller cover



IMPORTANT SAFETY INSTRUCTIONS.

Read all warnings and instructions in this manual.
Save these instructions.



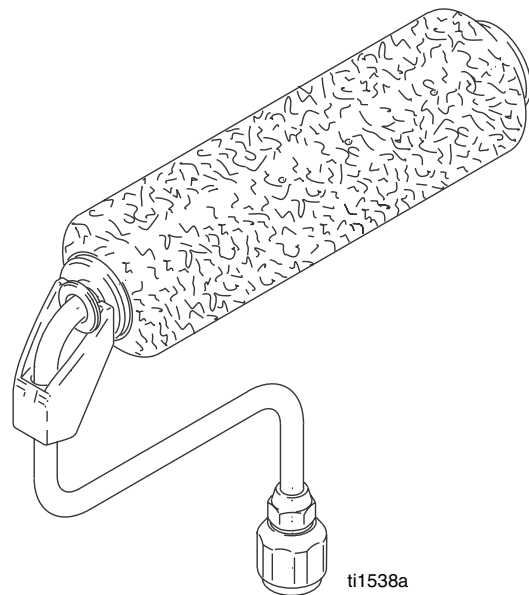
WARNING



To help prevent injection injuries, follow this procedure whenever you stop painting.

1. Engage gun trigger safety.
2. Shut off power to pump.
3. Turn prime/spray valve to PRIME position to relieve pressure in system.
4. Disengage gun trigger safety and trigger gun to relieve any pressure in hose.
5. Engage gun trigger safety and keep prime/spray valve in PRIME position until you paint again.

If you suspect that the frame or hose is completely clogged or that pressure has not been fully relieved after following the steps above, VERY SLOWLY loosen the tip retaining nut or hose end coupling and relieve pressure gradually, then loosen completely. Then clear the frame or hose obstruction.





WARNING



EQUIPMENT MISUSE HAZARD

Misuse can cause death or serious injury.

- Do not operate the extension tube or roller frame or use parts not designed for this equipment.
- Do not use 1,1,1-trichloroethane, methylene chloride, other halogenated hydrocarbon solvents or fluids containing such solvents in pressurized aluminum equipment. Such use can cause serious chemical reaction and equipment rupture, and result in death, serious injury, and property damage.



FIRE AND EXPLOSION HAZARD

Improper grounding, flammable fumes, such as solvent and paint fumes, in **work area** can ignite or explode. To help prevent fire and explosion:

- Provide fresh air ventilation to avoid the buildup of flammable fumes from flushing fluids or the coating being applied.
- Keep the application area free of debris, including solvent, rags, and gasoline.



SKIN INJECTION HAZARD

High-pressure fluid from hose leaks, or ruptured components will pierce skin. This may look like just a cut, but it is a serious injury that can result in amputation. **Get immediate surgical treatment.**

- Keep your hands and body away from the roller frame when flushing. High pressure fluid emitted from the holes in the frame could cause an injection injury.
- Always relieve pressure before you check or repair leaks and when you turn off the pump or stop painting.
- Never use components rated less than system *Maximum Working Pressure*.



PERSONAL PROTECTIVE EQUIPMENT

Failure to observe the electrical hazards described below could result in serious injury, including burns or electrocution. To help prevent harmful electrical shock:

- Avoid contact with power lines.
- Follow all grounding instructions in your separate pump and gun instruction manual, and comply with all local, state, and national fire, electrical, and safety regulations.
- Use only Graco paint hoses.



WARNING

Refer to your sprayer and spray gun manuals for appropriate warnings and instructions for safe operation of this roller frame.

Gasket (12) must be in place before installing frame (1). If gasket is not in place, there is a potential injection hazard which could result in serious injury.

1. Follow **Pressure Relief Procedure** on page 1.
2. Prime pump.
3. Install roller frame.

Cleaning

This is the procedure for flushing the pressure roller. The pump and gun you are using may have additional flushing steps, such as cleaning filters and screens. See the pump and gun flushing instructions.

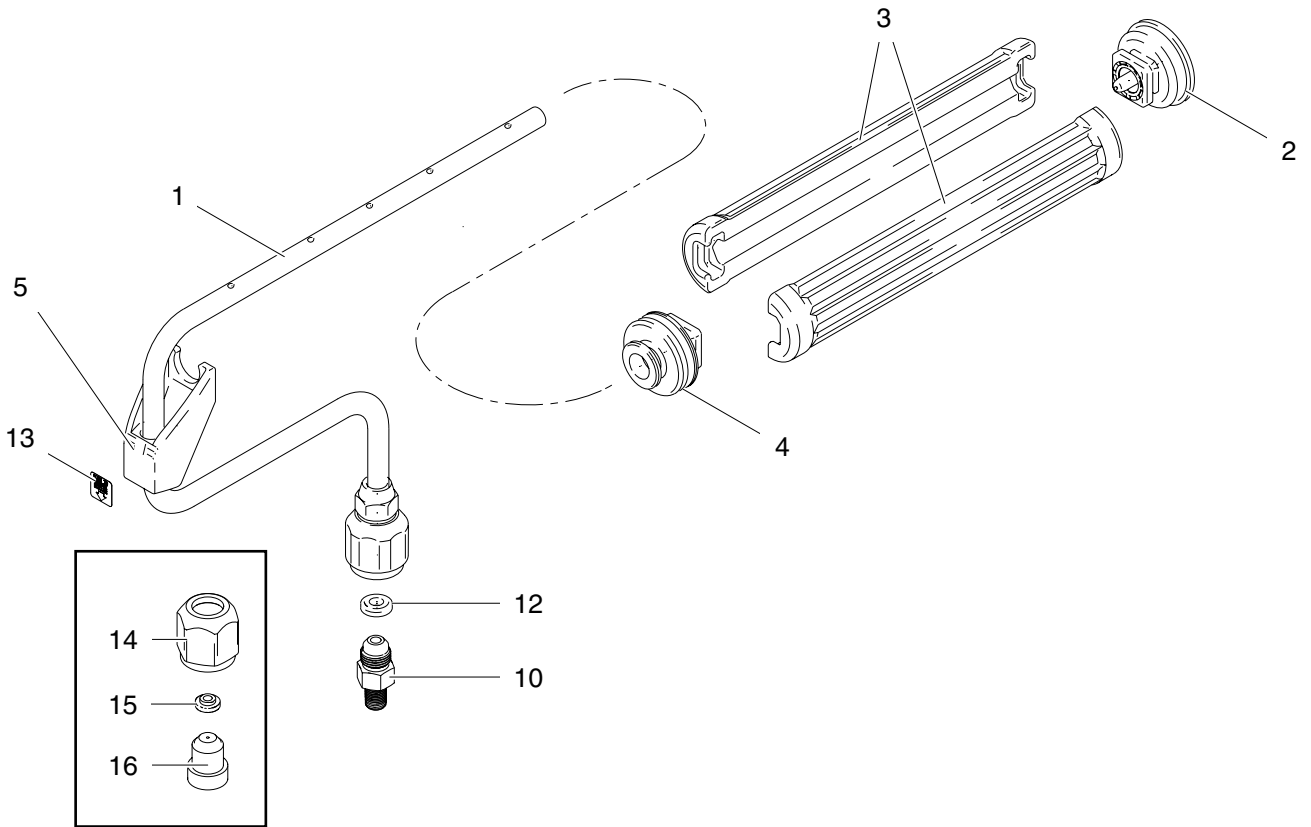
NOTE: Leave the pressure roller attached to the gun for this procedure.



See **Pressure Relief Procedure** on page 1.

1. Relieve the pressure.
2. Remove roller cover and diffuser (3) from roller frame (1) as follows (see **Parts Drawing**).
 - a. Use your thumb to press down on clip (5) to release end caps (2 and 4), diffuser (3), and roller cover into a pail.
 - b. Remove roller cover from diffuser (3).
 - c. Pull end caps (2 and 4) off diffuser (3).
3. Clean roller cover, caps (2 and 4) and diffuser (3) with water or a compatible fluid for oil-based materials.
4. Place roller frame (1) in paint pail. Be sure the holes in roller frame (1) are facing inside the paint pail.
5. Prime pump with water or flushing fluid for oil-based materials. Use the lowest pump priming pressure setting.
6. Turn prime/spray valve to **SPRAY**.
NOTE: Perform step 7 at the lowest pressure possible.
7. Trigger gun until flushing fluid begins to dilute the paint.
8. Place roller frame (1) in another bucket and continue flushing until fluid coming out of the roller frame (1) is clear.
9. Shut off the pump. Turn prime/spray valve to **PRIME**.

Parts



Ref.	Part	Description	Qty.
1		FRAME, roller	1
2	245999	CAP, end	1
3	15B065	DIFFUSER, roller	2
4	246277	CAP, end (includes seal, retainer and o-ring)	1
5	197106	CLIP, roller	1
10	111612	ADAPTER, tube (Model 244623 only)	1
12	115524	GASKET (Model 244623 only)	1
13	198804	LABEL, instruction	1
14	197117	NUT, retaining (Model 244271 only)	1
15	115524	GASKET (Model 244271 only)	1
16	197118	FITTING, swivel (Model 244271 only)	1

Wetted Parts: FKM, nylon, plated steel, POM, polyethylene, stainless steel

Roller Covers:

- 107589 9 in. x 3/8 in.
- 107590 9 in. x 1/2 in.
- 107591 9 in. x 3/4 in.
- 107592 9 in. x 1-1/4 in.



*All written and visual data contained in this document reflects the latest product information available at the time of publication.
Graco reserves the right to make changes at any time without notice.*

Original instructions. This manual contains English. MM 309322

Graco Headquarters: Minneapolis

International Offices: Belgium, China, Japan, Korea

GRACO INC. P.O. BOX 1441 MINNEAPOLIS, MN 55440-1441

Copyright 2010, Graco Inc. is registered to ISO 9001

www.graco.com

Revised 2010