

INSTRUCTIONS—PARTS LIST



309306

Rev. A



This manual contains important warnings and information.
READ AND KEEP FOR REFERENCE.

INSTRUCTIONS

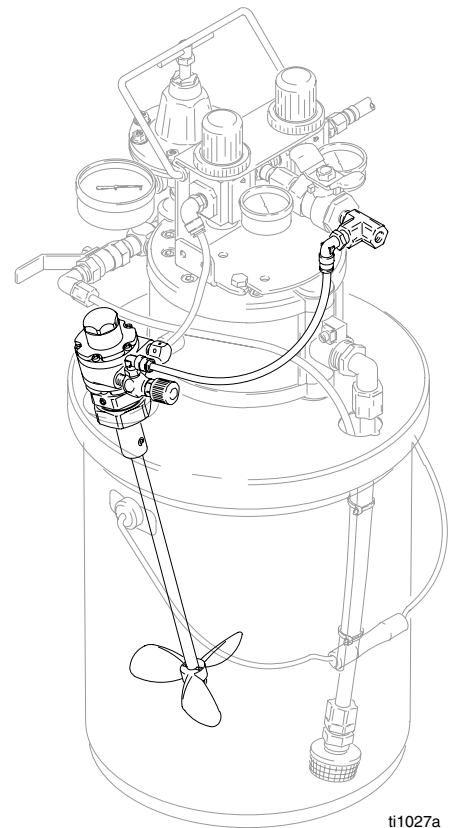
First choice when quality counts.™

STAINLESS STEEL

245081 Agitator Kit

FOR TRITON™ 308 SPRAY PACKAGES

100 psi (0.7 MPa, 7.0 bar) Maximum Air Inlet Pressure



**Agitator Kit shown installed on
TRITON 308 spray package (not included)**

ti1027a



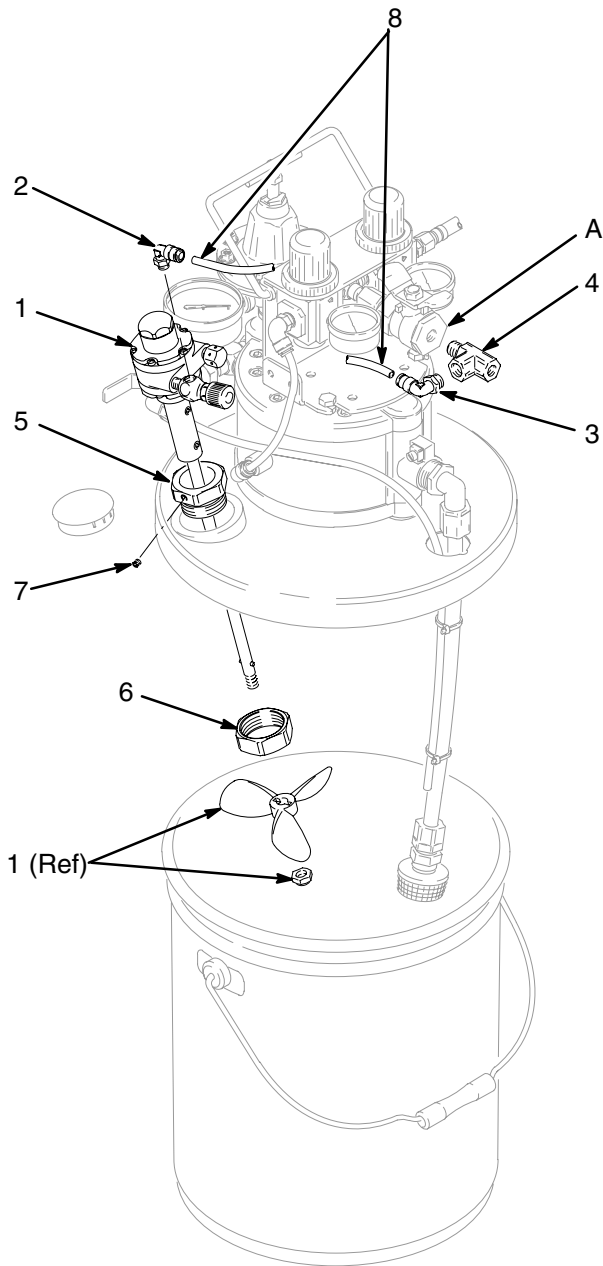
GRACO INC. P.O. BOX 1441 MINNEAPOLIS, MN 55440-1441

©COPYRIGHT 2001, GRACO INC.
Graco Inc. is registered to I.S. EN ISO 9001

Installation

1. Relieve the pressure as explained in the TRITON Operation manual 309305.
2. Disconnect the air supply line from the bleed-type master air valve (A). See the parts drawing on page 3.
3. Remove the plug from the agitator port in the pail cover.
4. Install the mounting collar (5) in the port so the setscrew hole faces outward. Secure the collar with the collar nut (6).
5. Remove the nut and agitator blade. Lower the agitator (1) through the mounting collar as shown. Reattach the blade and nut.
6. Install the setscrew (7) in the mounting collar (5) and tighten it against the agitator shaft.
7. Screw the 1/8 npt elbow (2) into the air inlet port of the agitator's speed control.
8. Screw the tee (4) into the bleed-type master air valve (A).
9. Screw the 1/4 npt elbow (3) into the branch of the tee (4).
10. Connect the 1/4 in. (6.3 mm) OD tubing (8) between the two elbows (2, 3). Make sure the tubing is securely fastened.
11. Ground the agitator as explained in the agitator manual 306565.
12. Connect the air supply line to the tee (4).
13. Refer to the agitator manual 306565 for agitator operating instructions, service, and parts information.

Parts



Ref. No.	Part No.	Description	Qty.
1	224571	AGITATOR, pail; stainless steel see manual 306565	1
2	112698	ELBOW, tube fitting; 1/8 npt(m) x 1/4 in. (6.3 mm) OD tube	1
3	114109	ELBOW, tube fitting; 1/4 npt(m) x 1/4 in. (6.3 mm) OD tube	1
4	116504	TEE; 1/4 npt(m) x 1/4 npt(f) run, 1/4 npt(f) branch	1
5	193315	COLLAR, mounting	1
6	193316	NUT, collar	1
7	100050	SCREW, set, socket hd; 1/4-20 x 3/8 in. (10 mm)	1
8	buy locally	TUBE; polyethylene; 1 ft (0.31 m) 1/4 in. (6.3 mm) OD	1

ti1028a

Graco Standard Warranty

Graco warrants all equipment manufactured by Graco and bearing its name to be free from defects in material and workmanship on the date of sale by an authorized Graco distributor to the original purchaser for use. With the exception of any special, extended, or limited warranty published by Graco, Graco will, for a period of thirty-six months from the date of sale, repair or replace any part of the equipment determined by Graco to be defective. This warranty applies only when the equipment is installed, operated and maintained in accordance with Graco's written recommendations.

This warranty does not cover, and Graco shall not be liable for general wear and tear, or any malfunction, damage or wear caused by faulty installation, misapplication, abrasion, corrosion, inadequate or improper maintenance, negligence, accident, tampering, or substitution of non-Graco component parts. Nor shall Graco be liable for malfunction, damage or wear caused by the incompatibility of Graco equipment with structures, accessories, equipment or materials not supplied by Graco, or the improper design, manufacture, installation, operation or maintenance of structures, accessories, equipment or materials not supplied by Graco.

This warranty is conditioned upon the prepaid return of the equipment claimed to be defective to an authorized Graco distributor for verification of the claimed defect. If the claimed defect is verified, Graco will repair or replace free of charge any defective parts. The equipment will be returned to the original purchaser transportation prepaid. If inspection of the equipment does not disclose any defect in material or workmanship, repairs will be made at a reasonable charge, which charges may include the costs of parts, labor, and transportation.

THIS WARRANTY IS EXCLUSIVE, AND IS IN LIEU OF ANY OTHER WARRANTIES, EXPRESS OR IMPLIED, INCLUDING BUT NOT LIMITED TO WARRANTY OF MERCHANTABILITY OR WARRANTY OF FITNESS FOR A PARTICULAR PURPOSE.

Graco's sole obligation and buyer's sole remedy for any breach of warranty shall be as set forth above. The buyer agrees that no other remedy (including, but not limited to, incidental or consequential damages for lost profits, lost sales, injury to person or property, or any other incidental or consequential loss) shall be available. Any action for breach of warranty must be brought within four (4) years of the date of sale.

Graco makes no warranty, and disclaims all implied warranties of merchantability and fitness for a particular purpose in connection with accessories, equipment, materials or components sold but not manufactured by Graco. These items sold, but not manufactured by Graco (such as electric motors, switches, hose, etc.), are subject to the warranty, if any, of their manufacturer. Graco will provide purchaser with reasonable assistance in making any claim for breach of these warranties.

In no event will Graco be liable for indirect, incidental, special or consequential damages resulting from Graco supplying equipment hereunder, or the furnishing, performance, or use of any products or other goods sold hereto, whether due to a breach of contract, breach of warranty, the negligence of Graco, or otherwise.

FOR GRACO CANADA CUSTOMERS

The parties acknowledge that they have required that the present document, as well as all documents, notices and legal proceedings entered into, given or instituted pursuant hereto or relating directly or indirectly hereto, be drawn up in English. Les parties reconnaissent avoir convenu que la rédaction du présente document sera en Anglais, ainsi que tous documents, avis et procédures judiciaires exécutés, donnés ou intentés à la suite de ou en rapport, directement ou indirectement, avec les procédures concernées.

Graco Phone Numbers

TO PLACE AN ORDER, contact your Graco distributor, or call one of these numbers to identify the distributor closest to you:

1-800-367-4023 Toll Free

1-612-623-6921 In Minnesota

1-612-378-3505 Fax

*All written and visual data contained in this document reflect the latest product information available at the time of publication.
Graco reserves the right to make changes at any time without notice.*

Sales Offices: Minneapolis, Detroit
International Offices: Belgium, Korea, Hong Kong, Japan

GRACO INC. P.O. BOX 1441 MINNEAPOLIS, MN 55440-1441

www.graco.com

PRINTED IN USA 309306 February 2001