

FinishPro 390/395 Airless/Air-Assisted Sprayer

312100L
EN

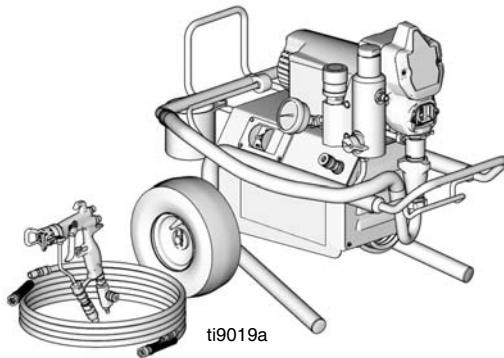
- For the application of architectural paint and coatings -

Maximum Working Pressure Airless Spraying: 3300 psi (227 bar, 22.7 MPa)
Maximum Working Air Pressure: 35 psi (2.4 bar, 0.24 bar)

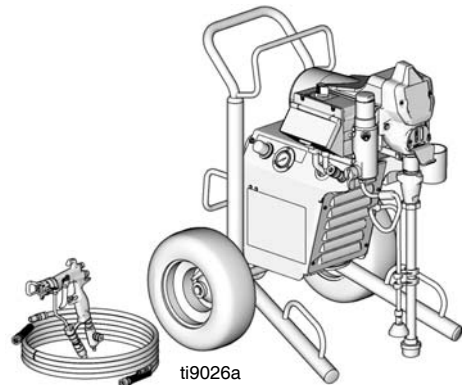
Models:

Region	FinishPro 390	FinishPro 395
US	249690	249691
Europe CEE 7/7	255110	255111
Europe Multi Cord	255112	255113
UK	255114	255115
Asia/Australia	255116	255117

FinishPro 390



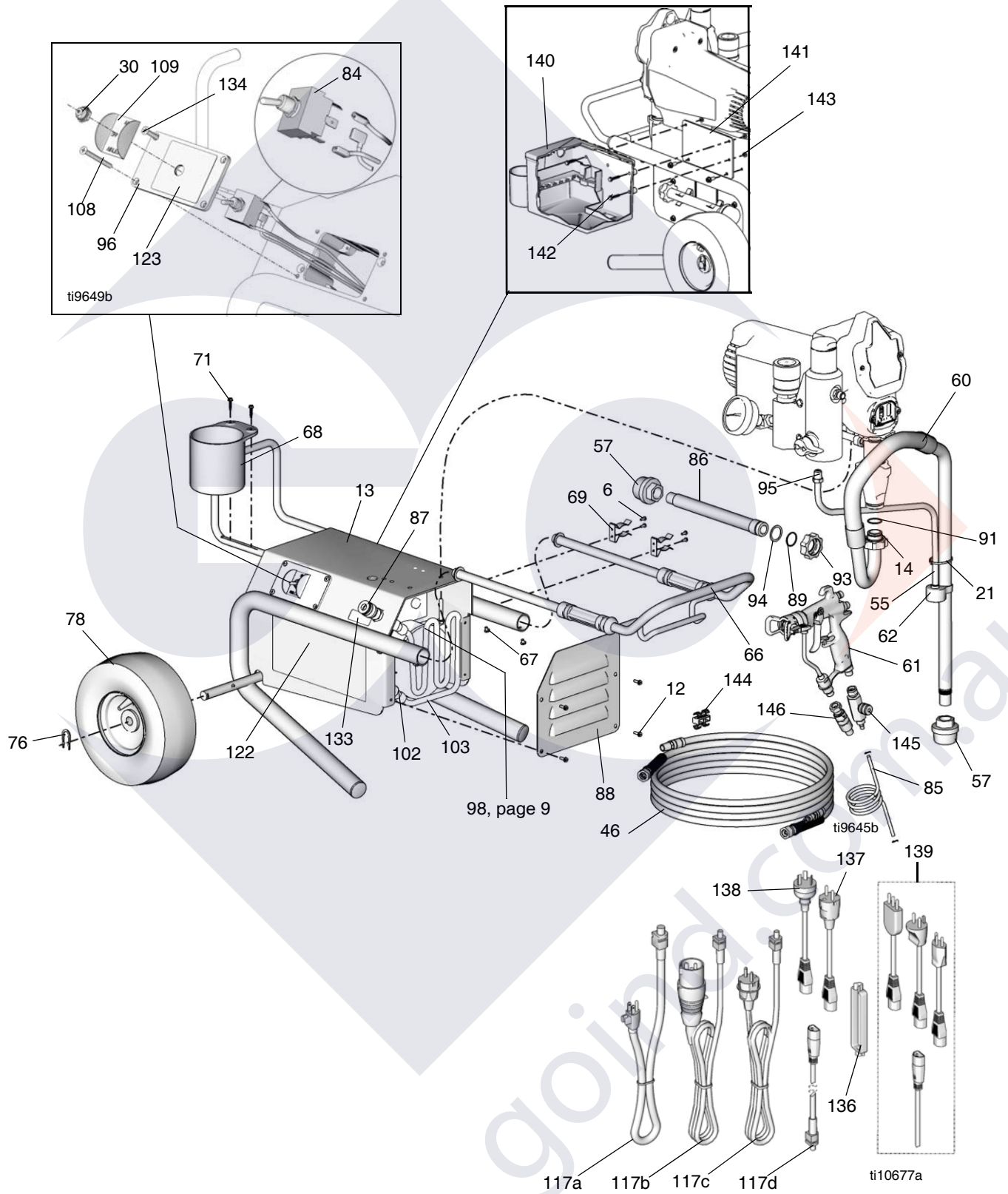
FinishPro 395

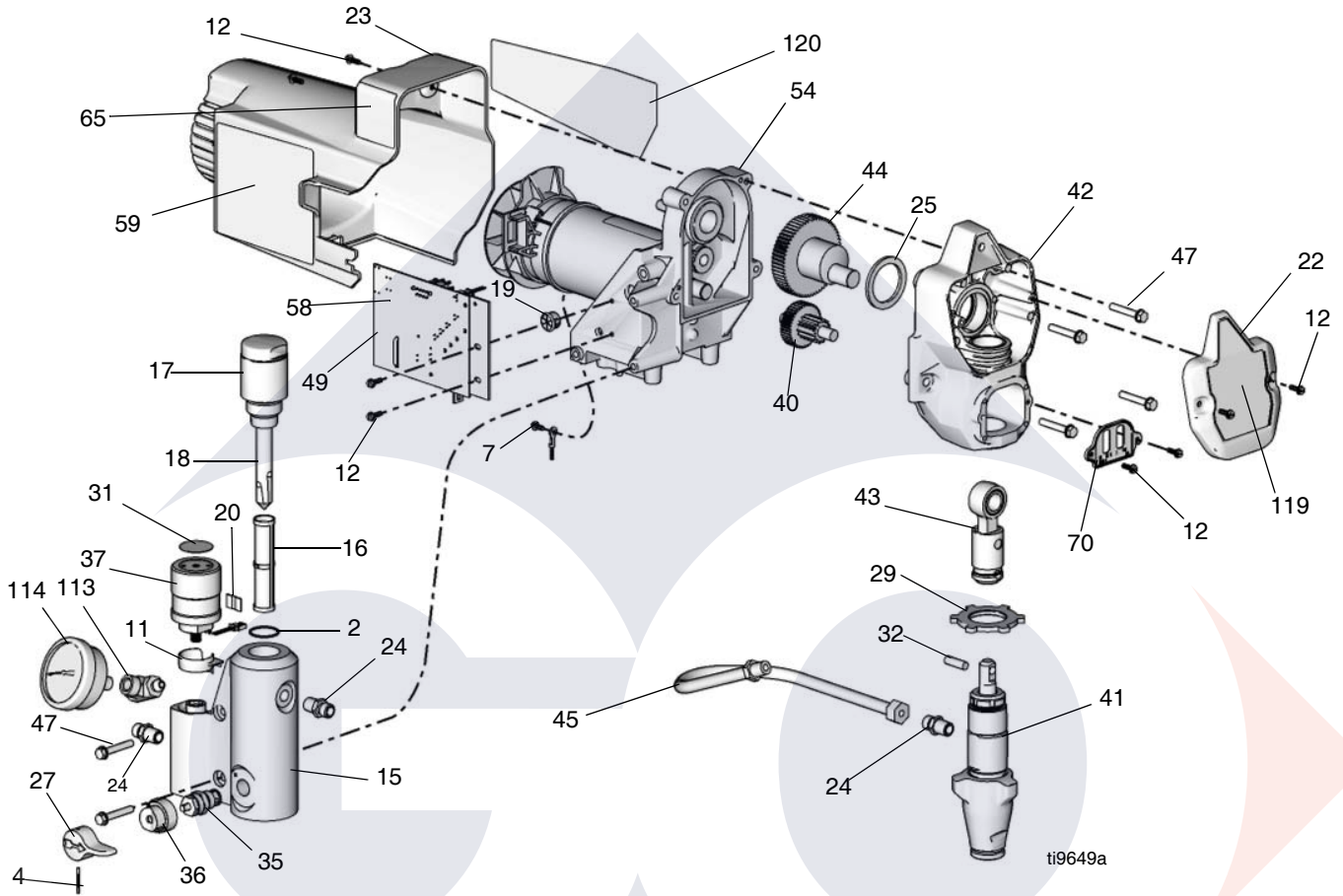


FinishPro 390 Sprayers

Ref.	Part	Description	Qty.	Ref.	Part	Description	Qty.
2	117828	O-RING,PTFE encapsulated	1	76	15B999	CLIP, retaining	2
4	111600	PIN, grooved	1	78	120701	WHEEL (see page 9)	2
6	115494	SCREW, mach, phillips pan hd	4	79	104641	FITTING, bulkhead (see page 9)	1
7	115498	SCREW, mach, slot hex wash hd	1	82	117633	SCREW, slot hex wash hd (see page 9)	4
11	15E794	CAP, wire, control, pressure	1	84	120844	SWITCH, toggle	1
12	117501	SCREW, mach, slot hex wash hd	13	85	15H899	HOSE, whip (not shown)	1
13	288233	FRAME, cart, lo	1	86	15J356	TUBE, suction, intake, 1 gal	1
14	117559	O-RING	2	87	120963	COUPLER, quick disconnect	1
15	15H977	MANIFOLD, filter	1	88	15K054	PLATE, front, painted	1
16	246382	FILTER, fluid, 100 mesh	1	89	103413	PACKING, o-ring	1
17	287902	CAP, filter, includes 18	1	91	115099	WASHER, garden hose	1
18	287902	INSERT, filter	1	93	15E813	NUT, jam	1
19	115756	BUSHING, universal	1	94	15B652	WASHER, suction	1
20	119723	TAPE, foam, 1/2 wide	1	95	M70809	FITTING, barbed, hose	1
21	114958	STRAP, tie	1	96		BOX, control	
22	287058	COVER, front, Graco, paint, includes 12	1		15K041	Model 249690	1
23	288838	SHIELD, mtr, painted, incl. 12, 59, 65, 120	1		15K812	Model 255110, 255112, 255114, 255116	1
24	162453	FITTING, (1/4 npsm x 1/4 npt)	3	98		COMPRESSOR, air, 390 (see page 9)	
25	180131	BEARING, thrust	1		288719	Model 249690, 255114	1
27	187625	HANDLE, valve, drain	1		288721	Model 255110, 255112, 255116	1
29	195150	NUT, jam, pump	1	99	187357	ELBOW, street (see page 9)	1
30	195428	BOOT, toggle	1	100	15K299	FITTING, tee, street (see page 9)	1
31	15A464	LABEL, pressure control knob	1	101	121091	VALVE (see page 9)	1
32	196762	PIN, straight	1	102	120732	FITTING	2
35	235014	VALVE, drain	1	103	15K148	TUBE, heat exchanger, 390	1
36	224807	BASE, valve	1	104	109575	SCREW, thread forming, hexhead	2
37		CONTROL, pressure, includes 11, 19, 20, 31	1	108	120728	SCREW, fhcs, 10-24 x 2.50	2
	249005	Model 249690, 255114	1	109	15J988	PLATE, switch	1
	248929	Model 255110, 255112, 255116	1	110		SOLENOID (see page 9)	
40	249194	GEAR, assembly, combination	1		15K212	Model 249690, 255114	1
41	246428	PUMP, displacement, st, includes 24	1	113	15K799	Model 255110, 255112, 255116	1
42	249049	HOUSING, drive, includes 12, 47, 70	1	114	119783	FITTING, tee, swivel	1
43	287053	ROD, connecting	1	116	115523	GAUGE, pressure, fluid	1
44	287054	GEAR, crankshaft, includes 25	1	117	15B822	TUBE, air	1
45	287003	HOSE, cpld	1	117a	15D029	CORD, power (see page 9)	
46	288620	HOSE, includes 85	1	117b	15D029	Model 249690	1
	288621	Model 249690, 255116	1	117c	15B469	Model 255114	1
47	117493	Model 255110, 255112, 255114	1	117d	15B470	Model 255110	1
49	288841	Model 249690	1	119	15B471	Model 255112, 255116	1
	289348	Model 255110, 255112, 255116	1	120	15K455	LABEL, Brand, FinishPro 390, Frn	1
54	249040	MOTOR, electric, 390	1	121	15K456	LABEL, brand, FinishPro 390, sid	1
	249041	Model 249690, 255114	1	122	15K416	CORD, power (see page 9)	1
55	249051	TUBE, drain, includes 21, 62, 95	1	123	15K466	LABEL, instruct, Model 249690, 255116	1
57	246385	STRAINER, 7/8-14 unf	2	126	15K469	LABEL	1
58	189930	LABEL, caution	1	127	120851	CONDUCTOR, terminal block (not shown)	1
59▲	15K359	LABEL, safety	1	132	597151	FITTING, elbow (see page 9)	1
	195813	Model 249690	1	133▲	290228	LABEL, caution	1
60	287416	Model 255110, 255112, 255116	1	134	121099	SCREW, machine, flat head, phillips	4
61	288513	HOSE, suction	1	136	195551	RETAINER, Model 255112, 255116	1
62	244035	GUN,ASSY, G40, RAC tip	1	137	242001	CORD, adptr, Euro, Model 255112, 255116	1
65▲		DEFLECTOR, barbed	1	138	242005	CORD, adptr, Aus, Model 255116	1
	195793	LABEL, warning	1	139	287121	CORD, set, Ita, Den, Swi, Model 255112	1
	195792	Model 249690, 255110, 255112, 255114	1	140	287253	BOX, tool, Model 255110, 255112, 255116	1
66	287488	Model 255116	1	141	15M813	PLATE, Model 255110, 255112, 255116	1
67	109032	HANDLE, assy, lo cart	1	142	118852	SCREW, Model 255110, 255112, 255116	1
68	15B870	SCREW, mach, pnh	4	143	113505	NUT, Model 255110, 255112, 255116	1
69	120595	CUP, suction/drain	1	144	120706	T-CLIP	1
70	15B589	CLIP, tool	2	145	288715	VALVE, swivel, ASM	1
71	122667	COVER, pump rod	1	146	239663	SWIVEL, straight	1
		SCREW, drill, hex washer head	2				

▲ Replacement Warning labels, tags and cards are available at no cost.





Notes

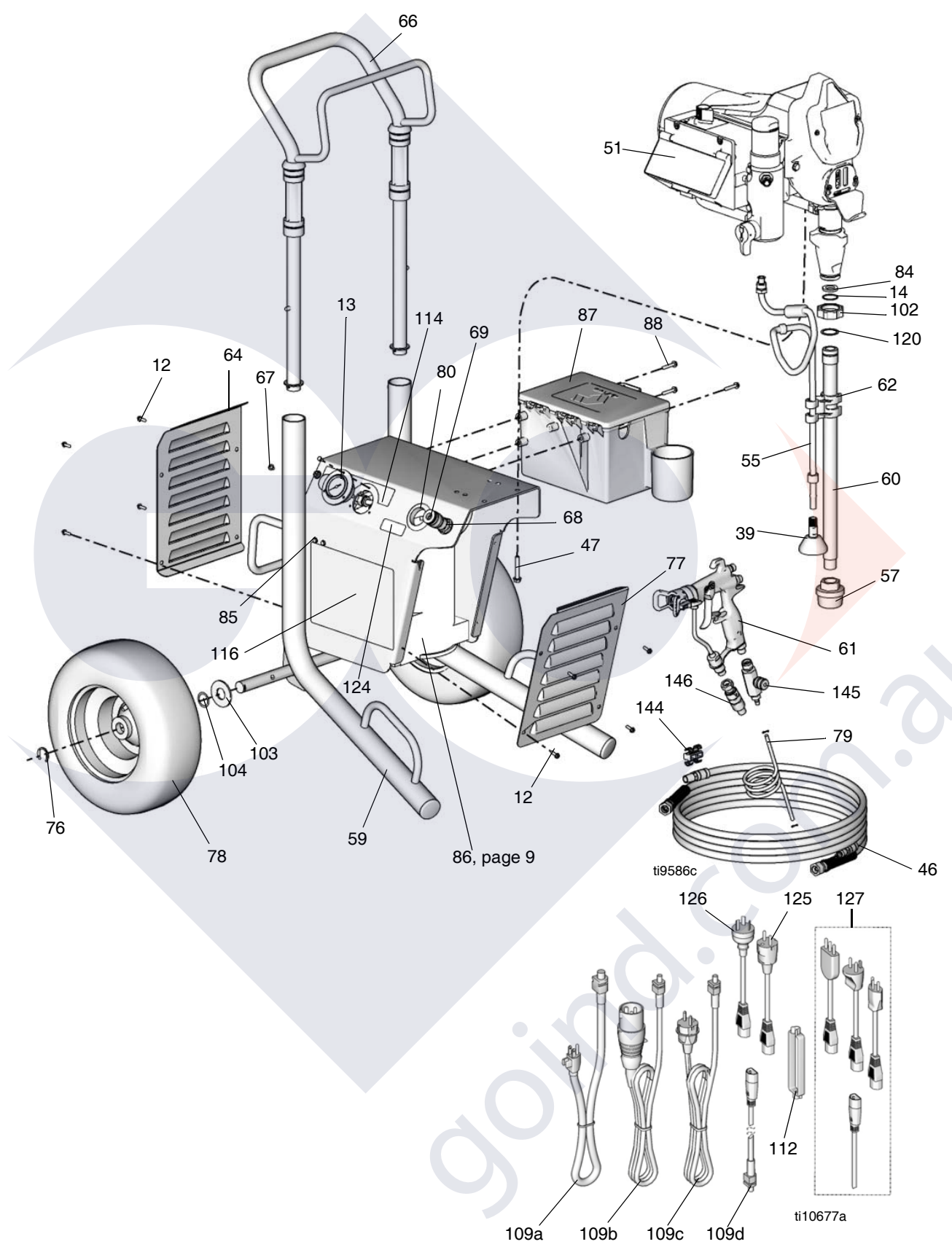


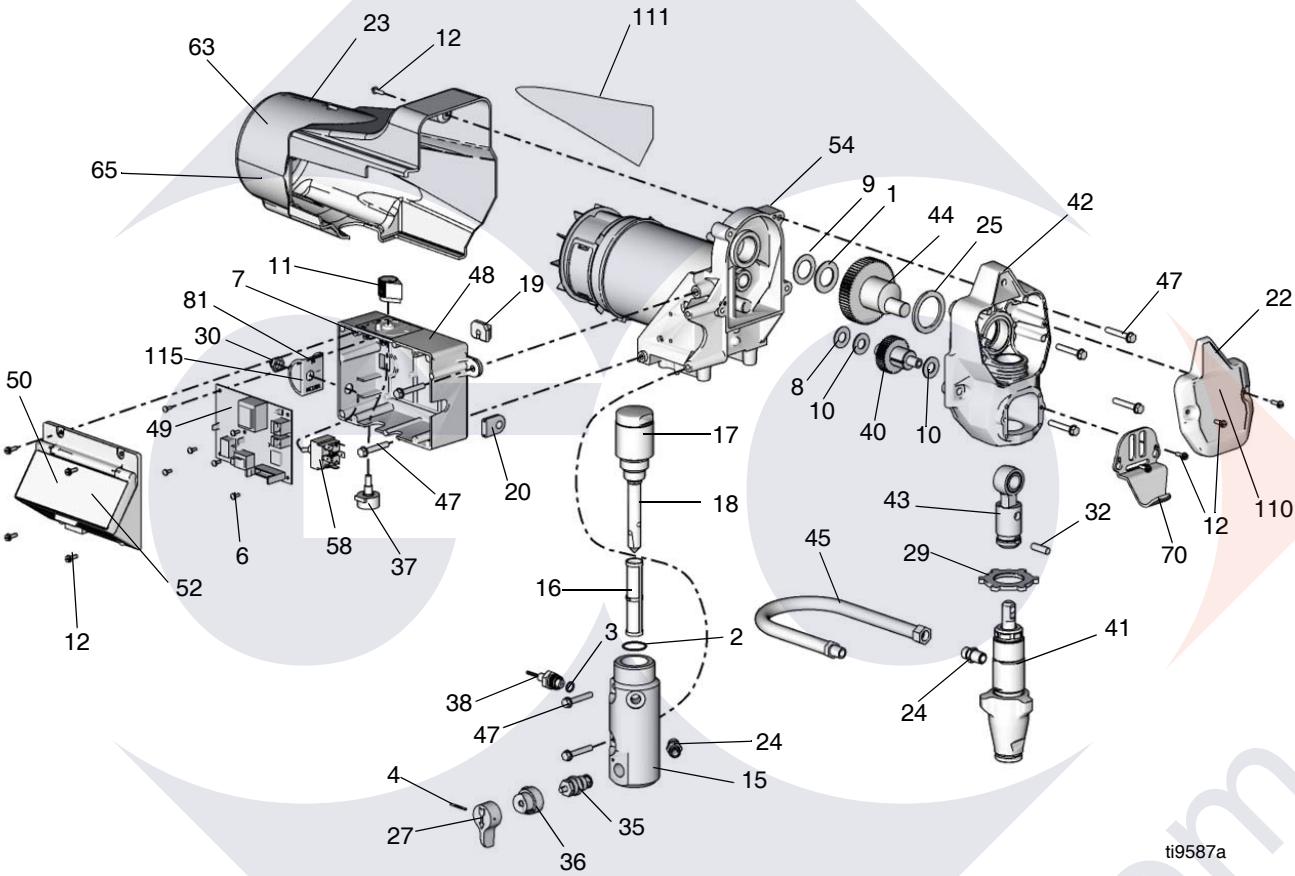
A series of horizontal lines for writing, with a large, faint watermark in the center that reads "GO" and "goind.com.au".

FinishPro 395 Sprayers

Ref.	Part	Description	Qty.	Ref.	Part	Description	Qty.
1	107434	BEARING, thrust	1	61	288513	GUN, ASSY, G40, RAC TIP	1
2	117828	O-RING, PTFE encapsulated	1	62	276888	CLIP, drain line	1
3	111457	PACKING, o-ring	1	63▲		LABEL, danger	
4	111600	PIN, grooved	1		15B516	Model 249691, 255111, 255113, 255115	1
5	115522	SCREW, mach, pnh (not shown)	2		15H087	Model 255117	1
6	115494	SCREW, mach, phillips pan hd	9	64	15K053	PLATE, rear, painted	1
7	115498	SCREW, ground, mach, slot hex wash hd	1	65▲		LABEL, warning	
8	116073	WASHER, thrust	1		195793	Model 249691, 255111, 255113, 255115	1
9	116074	WASHER, thrust	1		195792	Model 255117	1
10	116079	BEARING, thrust	2	66	287489	HANDLE, assy, hi cart	1
11	116167	KNOB, potentiometer	1	67	109032	SCREW, mach, pnh	4
12	117501	SCREW, mach, slot hex wash hd	18	68	104641	FITTING, Bulkhead	1
13	120643	GAUGE	1	69	120963	COUPLER, quick disconnect	1
14	103413	PACKING, o-ring	1	70	15C146	HOOK, pail	1
15	15G455	MANIFOLD, fluid	1	76	15E891	CLIP, retaining	2
16	246382	FILTER, fluid, 100 mesh	1	77	15K052	PLATE, front, painted	1
17	287902	CAP, filter, includes 18	1	78	119420	WHEEL, pneumatic	2
18		INSERT, filter	1	79	15H899	HOSE, whip	1
19	15B118	BUSHING, motor wire	1	80	120685	GROMMET	1
20	15B120	GROMMET, transducer	1	81	15J988	PLATE, switch	1
21	120584	REGULATOR	1	82	121091	VALVE, pressure relief	1
22	287058	COVER, front, Graco, paint, includes 12	1	84	115099	WASHER, garden hose	1
23	287056	SHIELD, motor, painted, incl. 12, 63, 65	1	85	109575	SCREW, thread forming, hexhead	2
24	162453	FITTING, (1/4 npsm x 1/4 npt)	2	86		COMPRESSOR, AIR, 395 (includes 86a)	
25	180131	BEARING, thrust	1		288720	Model 249691, 255115	1
26		CLAMP, wire	1		288722	Model 255111, 255113, 255117	1
	113491	Model 249691	1	86a	288724	KIT, repair, compressor, filter	1
	120143	Model 255111, 255113, 255115, 255117	1	87	287253	TOOL BOX, includes 88	1
27	187625	HANDLE, valve, drain	1	88	118852	SCREW, thd forming, hex washer hd	3
29	195150	NUT, jam, pump	1	89	116716	FITTING, elbow, 90 degree	1
30	195428	BOOT, toggle	1	90	106228	FITTING, tee, street	1
31	117633	SCREW, slot hex wash hd	5	91	187357	ELBOW, street	1
32	196762	PIN, straight	1	92	15K149	TUBE	1
35	235014	VALVE, drain	1	93		SOLENOID	
36	224807	BASE, valve	1		15K212	Model 249691, 255115	1
37	256219	POTENTIOMETER, assembly	1		15K799	Model 255111, 255113, 255117	1
38	243222	TRANSDUCER, pressure control, Incl. 3	1	94	15K040	NUT, regulator	1
39	241920	DEFLECTOR, threaded	1	95	120732	FITTING	2
40	244242	GEAR, reducer, includes 8, 10	1	96	100015	NUT, hex mscr	1
41	246428	PUMP, displacement	1	102	15E813	NUT, jam	1
42	287055	HOUSING, drive, includes 12, 47	1	103	156306	WASHER, flat	2
43	287053	ROD, connecting, includes 32	1	104	116038	WASHER, wave spring	2
44	287054	GEAR, crankshaft, includes 1, 9, 25	1	105	120653	FITTING, push to connect, 90	1
45	287003	HOSE, cpld	1	106	120753	FITTING, push to connect elbow	1
46		HOSE, includes 79	1	107	15K391	TUBE, air	1
	288620	Model 249691, 255117	1	108	15B822	TUBE, air	2
	288621	Model 255111, 255113, 255115	1	109		CORD	
47	117493	SCREW, mach, hex washer hd	12	109a	15D029	Model 249691	1
48		BOX, control, machined	1	109b	15B469	Model 255115	1
	15J469	Model 249691	1	109c	15B470	Model 255111	1
	15M176	Model 255111, 255113, 255115, 255117	1	109d	15B471	Model 255113, 255117	1
49		CONTROL, board	1	110	15K457	LABEL, brand, FinishPro 395, Fro	1
	288840	Model 249691	1	111	15K458	LABEL, brand, FinishPro 395, sid	1
	288842	Model 255111, 255113, 255117	1	112	195551	RETAINER, plug, adapter	1
	288843	Model 255115	1	113	15K413	CORD, pwr, 395, compressor	1
50	287098	COVER, display, includes 5, 51, 52	1	114	15K468	LABEL	1
51	15K400	LABEL, control	1	115	15K470	LABEL	1
52	15B461	LABEL, display	1	116	15K465	LABEL, Model 249691, 255117	1
54		MOTOR, 395	1	120	15B652	WASHER	1
	288859	Model 249691, 255115	1	124▲	290228	LABEL, caution	1
	287060	Model 255111, 255113, 255117	1	125	242001	CORD, adptr, Euro, Model 255113, 255117	1
55	244240	HOSE, includes 39	1	126	242005	CORD, adptr, Aus, Model 255117	1
57	246385	STRAINER, 7/8-14 unf	1	127	287121	CORD, set, Ita, Den, Swi, Model 255113	1
58		SWITCH	1	144	120706	T-CLIP	1
	120544	Model 249691	1	145	288715	VALVE, swivel, ASM	1
	120844	Model 255111, 255113, 255117	1	146	239663	SWIVEL, straight	1
59	288416	FRAME, cart, hi	1		287735	Motor Brush Kit	
60	246387	TUBE, suction, includes 14, 57, 102, 120	1				

▲ Replacement Warning labels, tags and cards are available at no cost.



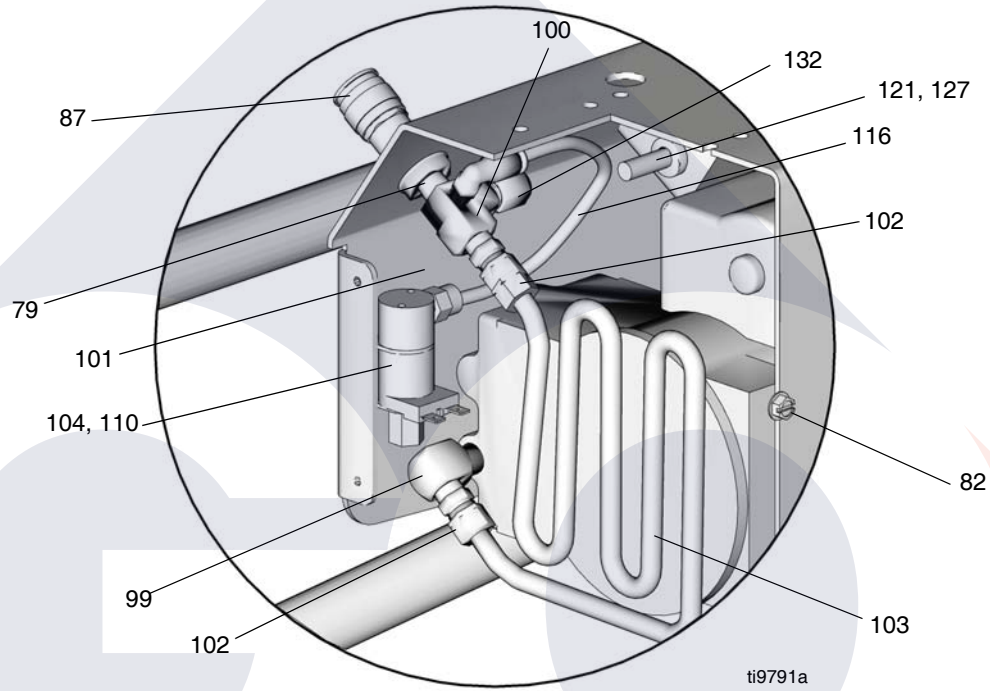


ti9587a

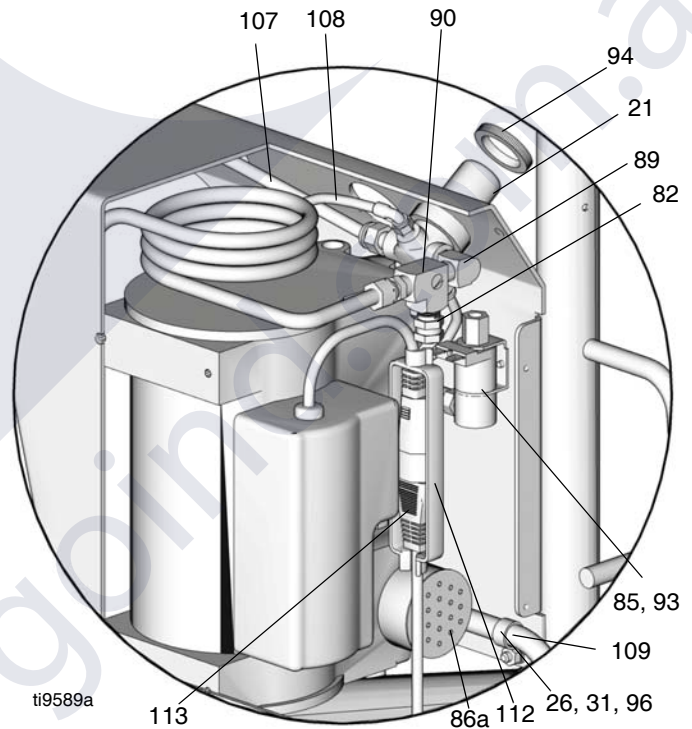
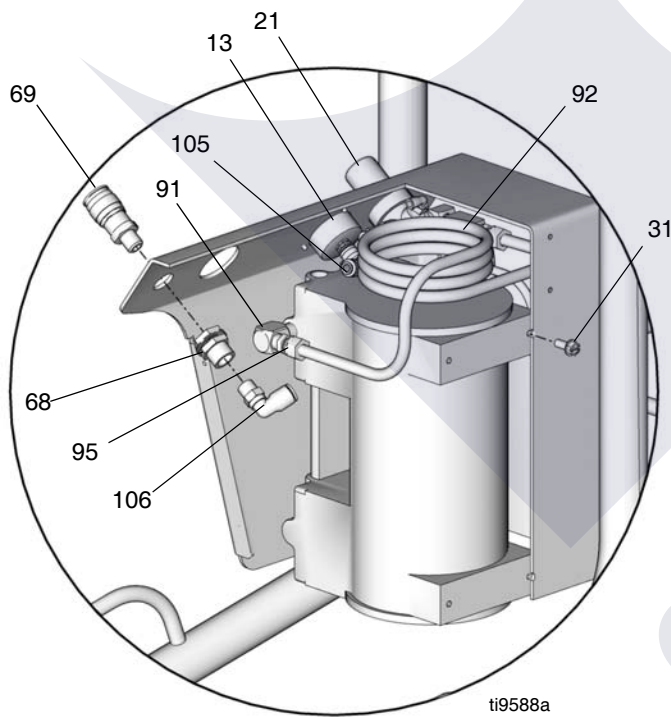
goind.com.au

Compressor

FinishPro 390 288719 - Models 249690, 255114 / 288721 - Models 255110, 255112, 255116



FinishPro 395 288720 - Models 249691, 255115 / 288722 - Models 255111, 255113, 255117



Graco Standard Warranty

Graco warrants all equipment referenced in this document which is manufactured by Graco and bearing its name to be free from defects in material and workmanship on the date of sale to the original purchaser for use. With the exception of any special, extended, or limited warranty published by Graco, Graco will, for a period of twelve months from the date of sale, repair or replace any part of the equipment determined by Graco to be defective. This warranty applies only when the equipment is installed, operated and maintained in accordance with Graco's written recommendations.

This warranty does not cover, and Graco shall not be liable for general wear and tear, or any malfunction, damage or wear caused by faulty installation, misapplication, abrasion, corrosion, inadequate or improper maintenance, negligence, accident, tampering, or substitution of non-Graco component parts. Nor shall Graco be liable for malfunction, damage or wear caused by the incompatibility of Graco equipment with structures, accessories, equipment or materials not supplied by Graco, or the improper design, manufacture, installation, operation or maintenance of structures, accessories, equipment or materials not supplied by Graco.

This warranty is conditioned upon the prepaid return of the equipment claimed to be defective to an authorized Graco distributor for verification of the claimed defect. If the claimed defect is verified, Graco will repair or replace free of charge any defective parts. The equipment will be returned to the original purchaser transportation prepaid. If inspection of the equipment does not disclose any defect in material or workmanship, repairs will be made at a reasonable charge, which charges may include the costs of parts, labor, and transportation.

THIS WARRANTY IS EXCLUSIVE, AND IS IN LIEU OF ANY OTHER WARRANTIES, EXPRESS OR IMPLIED, INCLUDING BUT NOT LIMITED TO WARRANTY OF MERCHANTABILITY OR WARRANTY OF FITNESS FOR A PARTICULAR PURPOSE.

Graco's sole obligation and buyer's sole remedy for any breach of warranty shall be as set forth above. The buyer agrees that no other remedy (including, but not limited to, incidental or consequential damages for lost profits, lost sales, injury to person or property, or any other incidental or consequential loss) shall be available. Any action for breach of warranty must be brought within two (2) years of the date of sale.

GRACO MAKES NO WARRANTY, AND DISCLAIMS ALL IMPLIED WARRANTIES OF MERCHANTABILITY AND FITNESS FOR A PARTICULAR PURPOSE, IN CONNECTION WITH ACCESSORIES, EQUIPMENT, MATERIALS OR COMPONENTS SOLD BUT NOT MANUFACTURED BY GRACO. These items sold, but not manufactured by Graco (such as electric motors, switches, hose, etc.), are subject to the warranty, if any, of their manufacturer. Graco will provide purchaser with reasonable assistance in making any claim for breach of these warranties.

In no event will Graco be liable for indirect, incidental, special or consequential damages resulting from Graco supplying equipment hereunder, or the furnishing, performance, or use of any products or other goods sold hereto, whether due to a breach of contract, breach of warranty, the negligence of Graco, or otherwise.

FOR GRACO CANADA CUSTOMERS

The Parties acknowledge that they have required that the present document, as well as all documents, notices and legal proceedings entered into, given or instituted pursuant hereto or relating directly or indirectly hereto, be drawn up in English. Les parties reconnaissent avoir convenu que la rédaction du présente document sera en Anglais, ainsi que tous documents, avis et procédures judiciaires exécutés, donnés ou intentés, à la suite de ou en rapport, directement ou indirectement, avec les procédures concernées.

Graco Information

For the latest information about Graco products, visit www.graco.com.

For patent information, see www.graco.com/patents.

TO PLACE AN ORDER, contact your Graco distributor or call 1-800-690-2894 to identify the nearest distributor.

All written and visual data contained in this document reflects the latest product information available at the time of publication. Graco reserves the right to make changes at any time without notice.

For patent information, see www.graco.com/patents.
Original instructions. This manual contains English. MM 312100

Graco Headquarters: Minneapolis
International Offices: Belgium, China, Japan, Korea

GRACO INC. AND SUBSIDIARIES • P.O. BOX 1441 • MINNEAPOLIS MN 55440-1441 • USA
Copyright 2011, Graco Inc. All Graco manufacturing locations are registered to ISO 9001.

www.graco.com
Revised L August 2014