

Flat Line Spray Systems Kits

3A1203B
EN

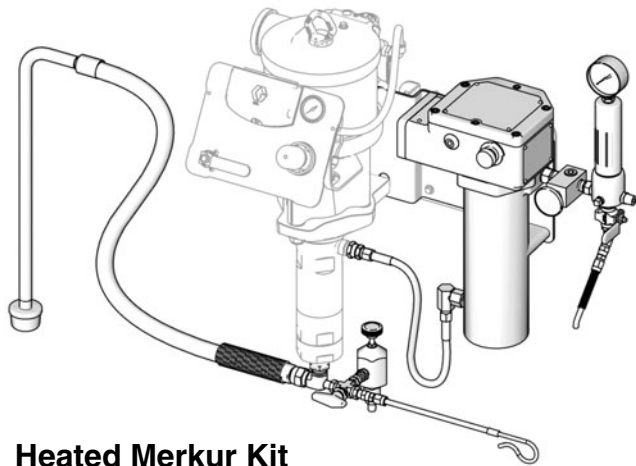
Heated or non-heated fluid circulation kits for Merkur®, Merkur® Bellows, and NXT® Dura-Flo™ Pumps. For professional use only.

Maximum Fluid Working Pressure: see **Technical Data** on page 19.
Pump pressure must not exceed this pressure.



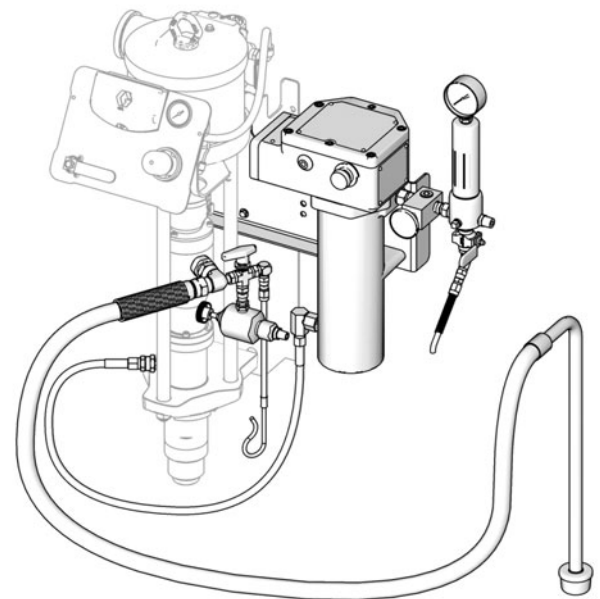
Important Safety Instructions

Read all warnings and instructions in this manual and your separate pump, heater, and component manuals. Save these instructions.



**Heated Merkur Kit
(pump is not included)**

ti16203a



**Heated Merkur Bellows Kit
(pump is not included)**

ti16206a

Contents

24F592 Merkur Non-Heated Circulation Kit	4	24F593 (120V) and 24F594 (240V) Merkur Bellows	
24F592 Kit Parts	4	Heated Circulation Kit	13
Mounting	4	24F593 and 24F594 Kit Parts	13
Installation	4	Mounting	13
24F595 Merkur Bellows Non-Heated Circulation Kit		Installation	14
6		G25NXT and G45NXT Dura-Flo Pump	16
24F595 Kit Parts	6	G25NXT and G45NXT Kit Parts	16
Mounting	6	Mounting	16
Installation	6	Installation	16
24F590 (120V) and 24F591 (240V) Merkur Heated		Wall Bracket Mounting Hole Diagrams	17
Circulation Kit	9	Kit Mounting Bracket Diagrams	18
24F590 and 24F591 Kit Parts	9	Technical Data	19
Mounting	9	Graco Standard Warranty	20
Installation	10	Graco Information	20



Lined writing area with 20 horizontal lines. A watermark for 'goind.com.au' is centered on the page.

24F592 Merkur Non-Heated Circulation Kit

24F592 Kit Parts

Ref.	Part No.	Description	Qty
5	222200	VALVE, back pressure; see 307892	1
6	168160	BUSHING; 3/8 npt(m) x 1/4 npt(f)	1
8	114339	SWIVEL, straight; 1/4 npt(m) x 1/4 npsm(f)	1
9	113070	NIPPLE, reducer; 3/8 npt x 1/4 npt	1
12	502851	BUSHING; 1 in. npt(m) x 3/4 npt(f)	1
13	15V521	ADAPTER, swivel, 90°; 1 in. npt(m) x 1 in. npsm(f) x 1/4 npt(f)	1
14	113834	VALVE, ball, 3-way; 1/4 npt(m)	1
15	239062	HOSE; 1/4 npsm(f); nylon	1
16	256424	KIT, suction hose; with strainer	1
17	236892	SWIVEL, straight; 1/2 npt(m) x 3/8 npsm(f)	1
18	24B299	BUSHING; 3/4 npt(f) x 1/2 npt(m)	1
19	119400	PIPE SEALANT; 2 ml	2
20	114593	KNOB	1
22	24F658	KIT, fluid filter; see 307273	1

Mounting

Mount the pump as explained in your separate pump manual.

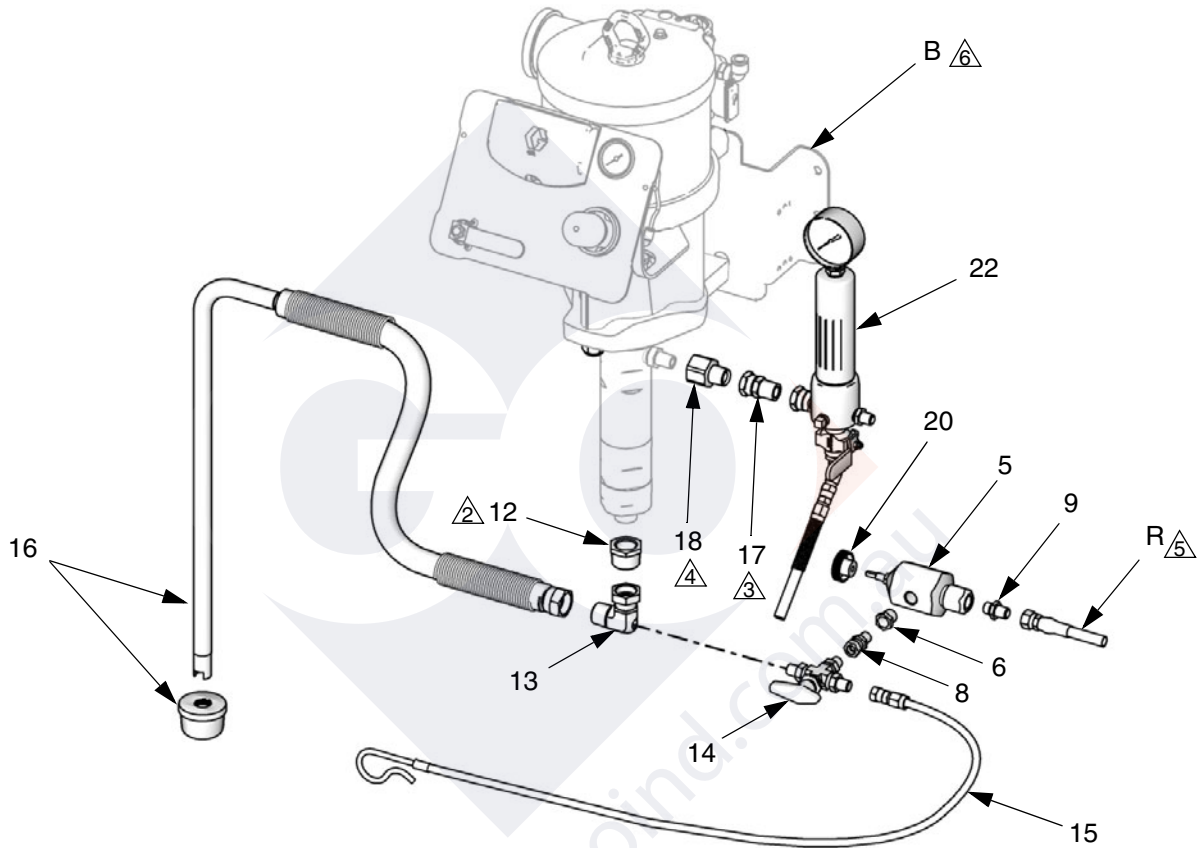
Installation

NOTE: Apply pipe sealant (19) to all non-swiveling threads.

NOTE: On pumps with a 3/4 npt fluid inlet, use bushing (12) to allow connection of the swivel adapter (13).

- See FIG. 1. Assemble the bushing (12, if needed) and swivel adapter (13) to the pump inlet. Attach the suction hose kit (16) to the adapter.
- Screw one branch of the 3-way valve (14) into the 1/4 npt port of the adapter (13). Attach the drain hose (15) to the opposite branch of the valve.
- Assemble the knob (20), reducer nipple (9), bushing (6), and the male end of the swivel (8) to the back pressure valve (5). Screw the swivel (8) onto the middle threads of the 3-way valve.
- Attach the fluid filter kit (22) as follows:
 - On pumps with a 3/8 npt fluid outlet, screw the female end of the swivel (17) onto the pump outlet fitting. Screw the fluid filter kit (22) inlet onto the male end of the swivel. The bushing (18) is not needed.
 - On pumps with a 3/4 npt fluid outlet, screw the female end of the bushing (18) onto the pump outlet fitting. Screw the fluid filter kit (22) inlet onto the male end of the bushing. The swivel (17) is not needed.
 - On pumps with a 1/2 npt fluid outlet, screw the fluid filter kit (22) inlet directly onto the pump outlet fitting. The swivel (17) and bushing (18) are not needed.
- Ground the pump as explained in your separate pump manual.
- Connect the fluid supply line to the fitting at the fluid filter outlet.
- Connect the fluid return line (R) to the reducer nipple (9) at the inlet of the back pressure valve (5). Use the back pressure valve to adjust fluid pressure in the circulation system.
- Use the 3-way valve (14) to direct circulating fluid back to the pump through the adapter (13), or to a container through the drain hose (15).
- See your separate pump manual for pump operation, maintenance, repair, and parts information.

- ⚠️ 1 Apply pipe sealant (19) to all non-swiveling threads.
- ⚠️ 2 Use bushing (12) only on pumps with 3/4 npt fluid inlet.
- ⚠️ 3 Use swivel (17) only on pumps with 3/8 npt fluid outlet.
- ⚠️ 4 Use bushing (18) only on pumps with 3/4 npt fluid outlet.
- ⚠️ 5 Fluid return line (not included).
- ⚠️ 6 Part of pump assembly (pump is not included in kit).



T116205a

FIG. 1. 24F592 Merkur Non-Heated Circulation Kit

24F595 Merkur Bellows Non-Heated Circulation Kit

24F595 Kit Parts

Ref.	Part No.	Description	Qty
5	222200	VALVE, back pressure; see 307892	1
6	168160	BUSHING; 3/8 npt(m) x 1/4 npt(f)	1
8	114339	SWIVEL, straight; 1/4 npt(m) x 1/4 npsm(f)	1
9	113070	NIPPLE, reducer; 3/8 npt x 1/4 npt	1
12	502851	BUSHING; 1 in. npt(m) x 3/4 npt(f)	1
13	15V521	ADAPTER, swivel, 90°; 1 in. npt(m) x 1 in. npsm(f) x 1/4 npt(f)	1
14	113834	VALVE, ball, 3-way; 1/4 npt(m)	1
15	239062	HOSE; 1/4 npsm(f); nylon	1
16	256424	KIT, suction hose; with strainer	1
17	236892	SWIVEL, straight; 1/2 npt(m) x 3/8 npsm(f)	1
18	24B299	BUSHING; 3/4 npt(f) x 1/2 npt(m)	1
19	119400	PIPE SEALANT; 2 ml	2
20	114593	KNOB	1
22	24F658	KIT, fluid filter; see 307273	1

Mounting

Mount the pump as explained in your separate pump manual.

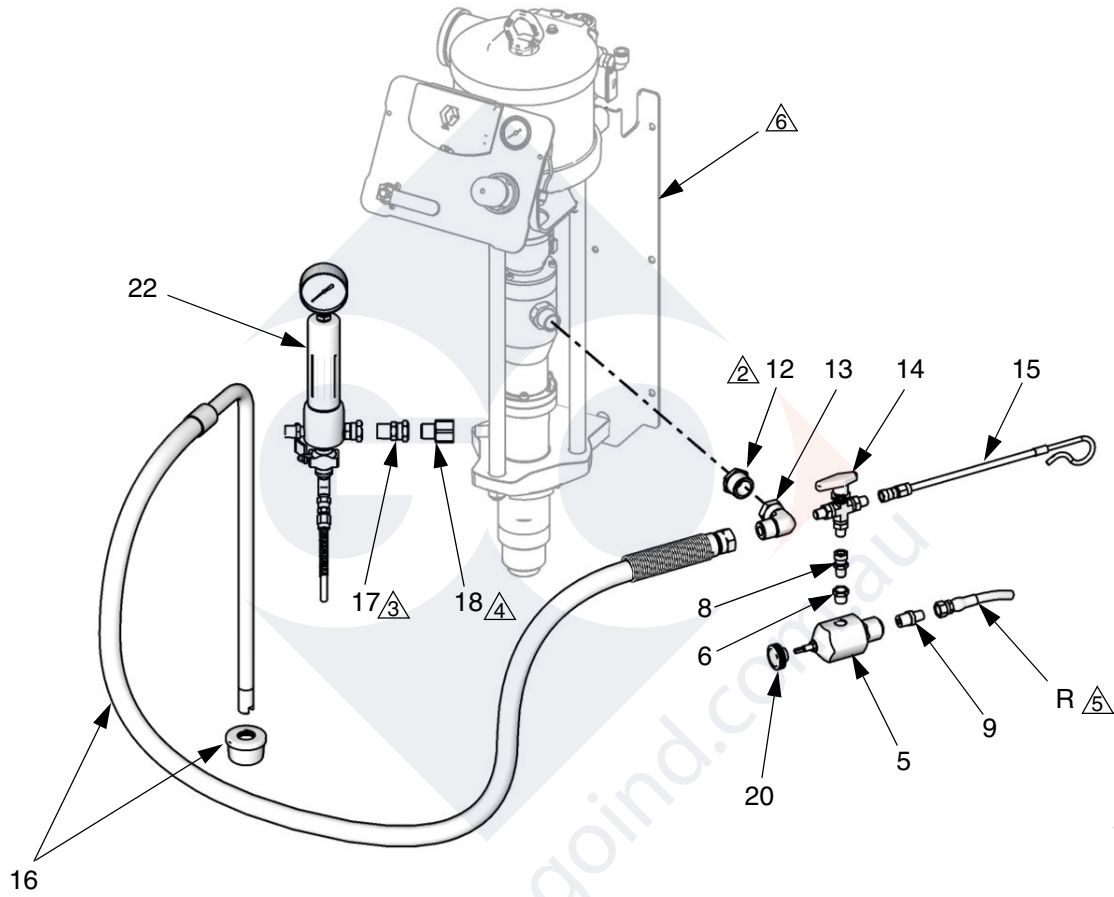
Installation

NOTE: Apply pipe sealant (19) to all non-swiveling threads.

NOTE: On pumps with a 3/4 npt fluid inlet, use bushing (12) to allow connection of the swivel adapter (13).

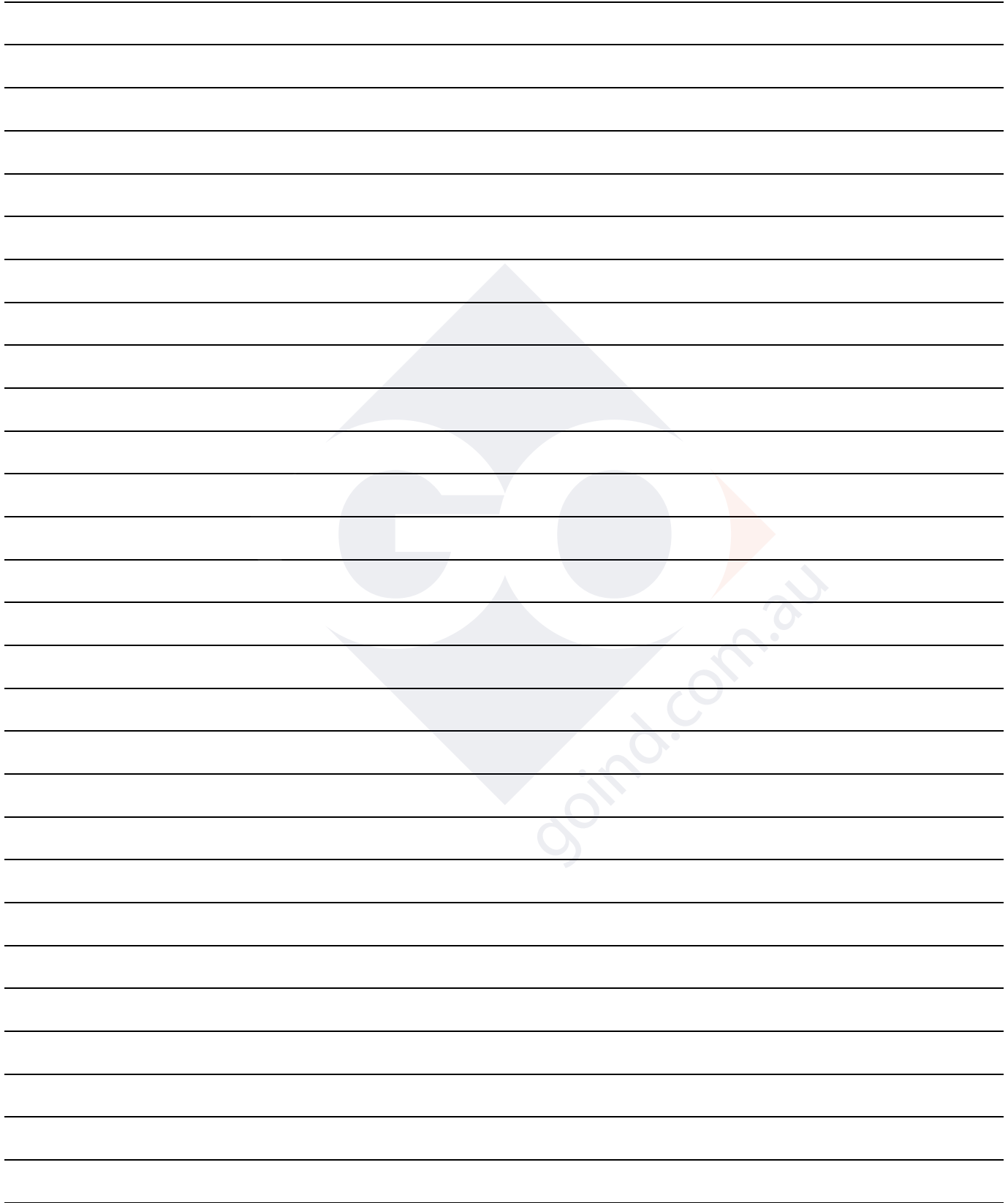
- See FIG. 2. Assemble the bushing (12, if needed) and swivel adapter (13) to the pump inlet. Attach the suction hose kit (16) to the adapter.
- Screw one branch of the 3-way valve (14) into the 1/4 npt port of the adapter (13). Attach the drain hose (15) to the opposite branch of the valve.
- Assemble the knob (20), reducer nipple (9), bushing (6), and the male end of the swivel (8) to the back pressure valve (5). Screw the swivel (8) onto the middle threads of the 3-way valve.
- Attach the fluid filter kit (22) as follows:
 - On pumps with a 3/8 npt fluid outlet, screw the female end of the swivel (17) onto the pump outlet fitting. Screw the fluid filter kit (22) inlet onto the male end of the swivel. The bushing (18) is not needed.
 - On pumps with a 3/4 npt fluid outlet, screw the female end of the bushing (18) onto the pump outlet fitting. Screw the fluid filter kit (22) inlet onto the male end of the bushing. The swivel (17) is not needed.
 - On pumps with a 1/2 npt fluid outlet, screw the fluid filter kit (22) inlet directly onto the pump outlet fitting. The swivel (17) and bushing (18) are not needed.
- Ground the pump as explained in your separate pump manual.
- Connect the fluid supply line to the fitting at the fluid filter outlet.
- Connect the fluid return line (R) to the reducer nipple (9) at the inlet of the back pressure valve (5). Use the back pressure valve to adjust fluid pressure in the circulation system.
- Use the 3-way valve (14) to direct circulating fluid back to the pump through the adapter (13), or to a container through the drain hose (15).
- See your separate pump manual for pump operation, maintenance, repair, and parts information.

- △ Apply pipe sealant (19) to all non-swiveling threads.
- △ Use bushing (12) only on pumps with 3/4 npt fluid inlet.
- △ Use swivel (17) only on pumps with 3/8 npt fluid outlet.
- △ Use bushing (18) only on pumps with 3/4 npt fluid outlet.
- △ Fluid return line (not included).
- △ Part of pump assembly (pump is not included in kit).



T116208a

FIG. 2. 24F595 Merkur Bellows Non-Heated Circulation Kit



24F590 (120V) and 24F591 (240V) Merkur Heated Circulation Kit

24F590 and 24F591 Kit Parts

Ref.	Part No.	Description	Qty
1	24A590	BRACKET	1
2	115643	SCREW; machine, hex washer hd; M8 x 25 mm	8
3	114874	SWIVEL, 90°; 1/2 npt(m) x 1/2 npsm(f)	1
4	245848	HEATER, fluid, 120V; for 24F590; see 309524	1
	245863	HEATER, fluid, 240V; for 24F591; see 309524	1
5	222200	VALVE, back pressure; see 307892	1
6	168160	BUSHING; 3/8 npt(m) x 1/4 npt(f)	1
7	100527	WASHER, plain; 0.312 in. ID	4
8	114339	SWIVEL, straight; 1/4 npt(m) x 1/4 npsm(f)	1
9	113070	NIPPLE, reducer; 3/8 npt x 1/4 npt	1
10	104541	NUT, lock; M8	4
12	502851	BUSHING; 1 in. npt(m) x 3/4 npt(f)	1
13	15V521	ADAPTER, swivel, 90°; 1 in. npt(m) x 1 in. npsm(f) x 1/4 npt(f)	1
14	113834	VALVE, ball, 3-way; 1/4 npt(m)	1
15	239062	HOSE; 1/4 npsm(f); nylon	1
16	256424	KIT, suction hose; with strainer	1
17	236892	SWIVEL, straight; 1/2 npt(m) x 3/8 npsm(f)	1
18	24B299	BUSHING; 3/4 npt(f) x 1/2 npt(m)	1
19	119400	PIPE SEALANT; 2 ml	2
20	114593	KNOB	1
21	114373	NIPPLE; 1/2 npt	1
22	24F658	KIT, fluid filter; see 307273	1
25	24C406	HOSE, fluid; 1/2 npsm(fbe) x 3 ft (0.9 m)	1

Mounting

NOTE: See your separate pump and heater manuals. Be sure the wall can support the weight of the pump, heater, brackets, hoses and accessories, as well as the stress caused during operation. Hole diameters and wall mounting dimensions are shown on page 17. Kit mounting bracket diagrams are shown on page 18.

1. See FIG. 3. Remove the screws (S) holding the wall bracket (B) to the pump (P). Set the pump aside. Keep the screws and bracket.
2. Orient the bracket (1) as shown, and assemble to the wall bracket (B) with four screws (2), washers (7), and nuts (10).
3. Position the wall bracket (B) at a convenient height, so the 3 ft (0.9 m) suction hose (16) will not be stretched tight; letting the hose hang assists fluid flow into the pump. For ease of operation and service, make sure the pump air inlet, fluid inlet, and fluid outlet ports are easily accessible.
4. Using the wall bracket (B) as a template, drill mounting holes in the wall.
5. Attach the bracket (B) to the wall. Use screws that are long enough to keep the pump from vibrating during operation.

NOTE: Be sure the bracket is level.

6. Mount the pump (P) to the bracket (1) using the four screws (S) removed in step 1.
7. Remove the screws and washers from the heater mounting posts and discard. Mount the heater (4) to the bracket (1) using four screws (2).

Installation

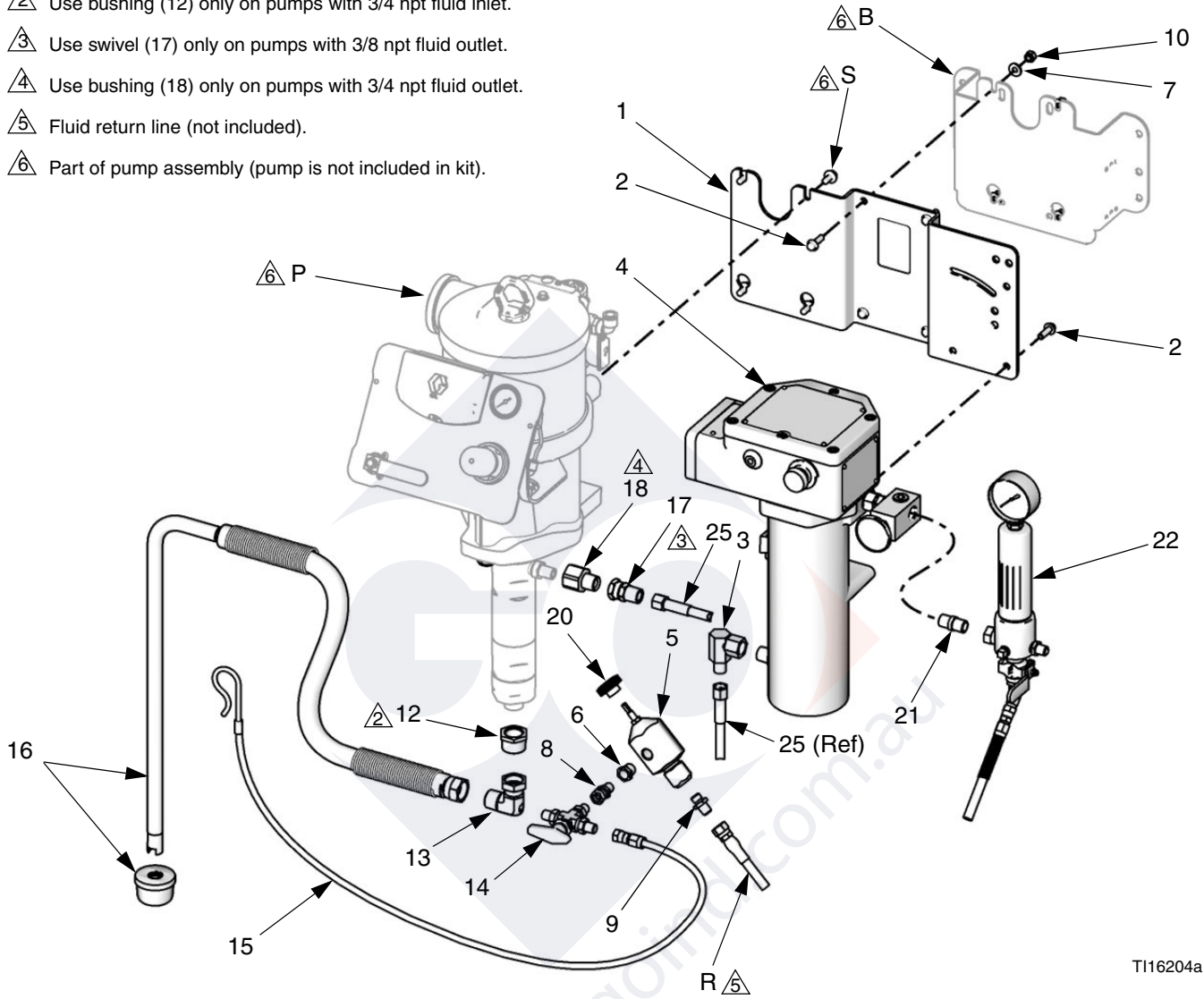
NOTE: See your separate heater manual, supplied, for heater installation and electrical requirements.

NOTE: Apply pipe sealant (19) to all non-swiveling threads.

NOTE: On pumps with a 3/4 npt fluid inlet, use bushing (12) to allow connection of the swivel adapter (13).

1. See FIG. 3. Assemble the bushing (12, if needed) and swivel adapter (13) to the pump inlet. Attach the suction hose kit (16) to the adapter.
2. Screw one branch of the 3-way valve (14) into the 1/4 npt port of the adapter (13). Attach the drain hose (15) to the opposite branch of the valve.
3. Assemble the knob (20), reducer nipple (9), bushing (6), and the male end of the swivel (8) to the back pressure valve (5). Screw the swivel (8) onto the middle threads of the 3-way valve.
4. Screw the 90° swivel (3) onto the heater (4) fluid inlet.
5. Attach the heater hose (25) as follows:
 - a. On pumps with a 3/8 npt fluid outlet, screw the female end of the swivel (17) onto the pump outlet fitting. Connect the heater hose (25) between the swivel (17) and the 90° swivel (3) at the heater inlet. The bushing (18) is not needed.
 - b. On pumps with a 3/4 npt fluid outlet, screw the female end of the bushing (18) onto the pump outlet fitting. Connect the heater hose (25) between the bushing (18) and the 90° swivel (3) at the heater inlet. The swivel (17) is not needed.
 - c. On pumps with a 1/2 npt fluid outlet, connect the heater hose (25) between the pump fluid outlet and the 90° swivel (3) at the heater inlet. The swivel (17) and bushing (18) are not needed.
6. Screw the nipple (21) into the heater (4) fluid outlet. Screw the fluid filter kit (22) inlet swivel onto the nipple.
7. Ground the pump as explained in your separate pump manual.
8. Connect the fluid supply line to the fitting at the fluid filter outlet.
9. Connect the fluid return line (R) to the reducer nipple (9) at the inlet of the back pressure valve (5). Use the back pressure valve to adjust fluid pressure in the circulation system.
10. Use the 3-way valve (14) to direct circulating fluid back to the pump through the adapter (13), or to a container through the drain hose (15).
11. See your separate pump and heater manuals for operation, maintenance, repair, and parts information.

- ⚠ Apply pipe sealant (19) to all non-swiveling threads.
- ⚠ Use bushing (12) only on pumps with 3/4 npt fluid inlet.
- ⚠ Use swivel (17) only on pumps with 3/8 npt fluid outlet.
- ⚠ Use bushing (18) only on pumps with 3/4 npt fluid outlet.
- ⚠ Fluid return line (not included).
- ⚠ Part of pump assembly (pump is not included in kit).



TI16204a

FIG. 3. 24F590 and 24F591 Merkur Heated Circulation Kit

24F593 (120V) and 24F594 (240V) Merkur Bellows Heated Circulation Kit

24F593 and 24F594 Kit Parts

Ref.	Part No.	Description	Qty
1	16F431	BRACKET	1
2	115643	SCREW; machine, hex washer hd; M8 x 25 mm	8
3	114874	SWIVEL, 90°; 1/2 npt(m) x 1/2 npsm(f)	1
4	245848	HEATER, fluid, 120V; for 24F593; see 309524	1
	245863	HEATER, fluid, 240V; for 24F594; see 309524	1
5	222200	VALVE, back pressure; see 307892	1
6	168160	BUSHING; 3/8 npt(m) x 1/4 npt(f)	1
7	100527	WASHER, plain; 0.312 in. ID	4
8	114339	SWIVEL, straight; 1/4 npt(m) x 1/4 npsm(f)	1
9	113070	NIPPLE, reducer; 3/8 npt x 1/4 npt	1
10	104541	NUT, lock; M8	4
12	502851	BUSHING; 1 in. npt(m) x 3/4 npt(f)	1
13	15V521	ADAPTER, swivel, 90°; 1 in. npt(m) x 1 in. npsm(f) x 1/4 npt(f)	1
14	113834	VALVE, ball, 3-way; 1/4 npt(m)	1
15	239062	HOSE; 1/4 npsm(f); nylon	1
16	256424	KIT, suction hose; with strainer	1
17	236892	SWIVEL, straight; 1/2 npt(m) x 3/8 npsm(f)	1
18	24B299	BUSHING; 3/4 npt(f) x 1/2 npt(m)	1
19	119400	PIPE SEALANT; 2 ml	2
20	114593	KNOB	1
21	114373	NIPPLE; 1/2 npt	1
22	24F658	KIT, fluid filter; see 307273	1
25	24C406	HOSE, fluid; 1/2 npsm(fbe) x 3 ft (0.9 m)	1
28	166866	ELBOW, street; 1/4 npt (mxf)	1

Mounting

NOTE: See your separate pump and heater manuals. Be sure the wall can support the weight of the pump, heater, brackets, hoses and accessories, as well as the stress caused during operation. Hole diameters and wall mounting dimensions are shown on page 17. Kit mounting bracket diagrams are shown on page 18.

1. See FIG. 4. Remove the screws (S) holding the wall bracket (B) to the pump (P). Set the pump aside. Keep the screws and bracket.
 2. Orient the bracket (1) as shown, and assemble to the wall bracket (B) with four screws (2), washers (7), and nuts (10).
 3. Position the wall bracket (B) at a convenient height, so the 3 ft (0.9 m) suction hose (16) will not be stretched tight; letting the hose hang assists fluid flow into the pump. For ease of operation and service, make sure the pump air inlet, fluid inlet, and fluid outlet ports are easily accessible.
 4. Using the wall bracket (B) as a template, drill mounting holes in the wall. Hole diameters and wall mounting dimensions are shown on page 17.
 5. Attach the bracket (B) to the wall. Use screws that are long enough to keep the pump from vibrating during operation.
- NOTE:** Be sure the bracket is level.
6. Mount the pump (P) to the bracket (1) using the four screws (S) removed in step 1.
 7. Remove the screws and washers from the heater mounting posts and discard. Mount the heater (4) to the bracket (1) using four screws (2).

Installation

NOTE: See your separate heater manual, supplied, for heater installation and electrical requirements.

NOTE: Apply pipe sealant (19) to all non-swiveling threads.

NOTE: On pumps with a 3/4 npt fluid inlet, use bushing (12) to allow connection of the swivel adapter (13).

1. See FIG. 4. Assemble the bushing (12, if needed) and swivel adapter (13) to the pump inlet. Attach the suction hose kit (16) to the adapter.
2. Screw one branch of the 3-way valve (14) into the 1/4 npt port of the adapter (13). Attach the elbow (28) and drain hose (15) to the opposite branch of the valve.
3. Assemble the knob (20), reducer nipple (9), bushing (6), and the male end of the swivel (8) to the back pressure valve (5). Screw the swivel (8) onto the middle threads of the 3-way valve.
4. Screw the 90° swivel (3) onto the heater (4) fluid inlet.
5. Attach the heater hose (25) as follows:
 - a. On pumps with a 3/8 npt fluid outlet, screw the female end of the swivel (17) onto the pump outlet fitting. Connect the heater hose (25) between the swivel (17) and the 90° swivel (3) at the heater inlet. The bushing (18) is not needed.
 - b. On pumps with a 3/4 npt fluid outlet, screw the female end of the bushing (18) onto the pump outlet fitting. Connect the heater hose (25) between the bushing (18) and the 90° swivel (3) at the heater inlet. The swivel (17) is not needed.
 - c. On pumps with a 1/2 npt fluid outlet, connect the heater hose (25) between the pump fluid outlet and the 90° swivel (3) at the heater inlet. The swivel (17) and bushing (18) are not needed.
6. Screw the nipple (21) into the heater (4) fluid outlet. Screw the fluid filter kit (22) inlet swivel onto the nipple.
7. Ground the pump as explained in your separate pump manual.
8. Connect the fluid supply line to the fitting at the fluid filter outlet.
9. Connect the fluid return line (R) to the reducer nipple (9) at the inlet of the back pressure valve (5). Use the back pressure valve to adjust fluid pressure in the circulation system.
10. Use the 3-way valve (14) to direct circulating fluid back to the pump through the adapter (13), or to a container through the drain hose (15).
11. See your separate pump and heater manuals for operation, maintenance, repair, and parts information.

- ⚠ 1 Apply pipe sealant (19) to all non-swiveling threads.
- ⚠ 2 Use bushing (12) only on pumps with 3/4 npt fluid inlet.
- ⚠ 3 Use swivel (17) only on pumps with 3/8 npt fluid outlet.
- ⚠ 4 Use bushing (18) only on pumps with 3/4 npt fluid outlet.
- ⚠ 5 Fluid return line (not included).
- ⚠ 6 Part of pump assembly (pump is not included in kit).

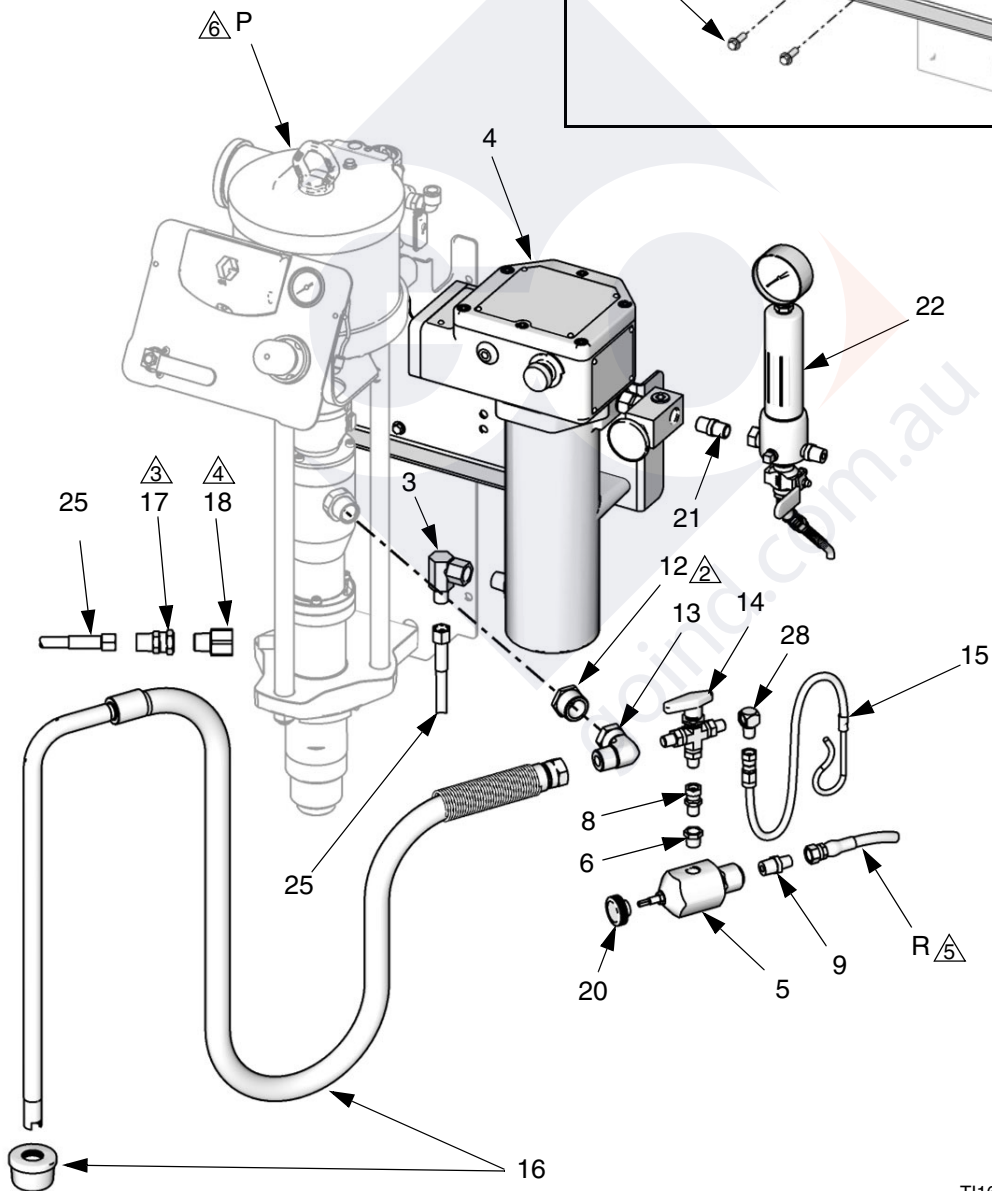
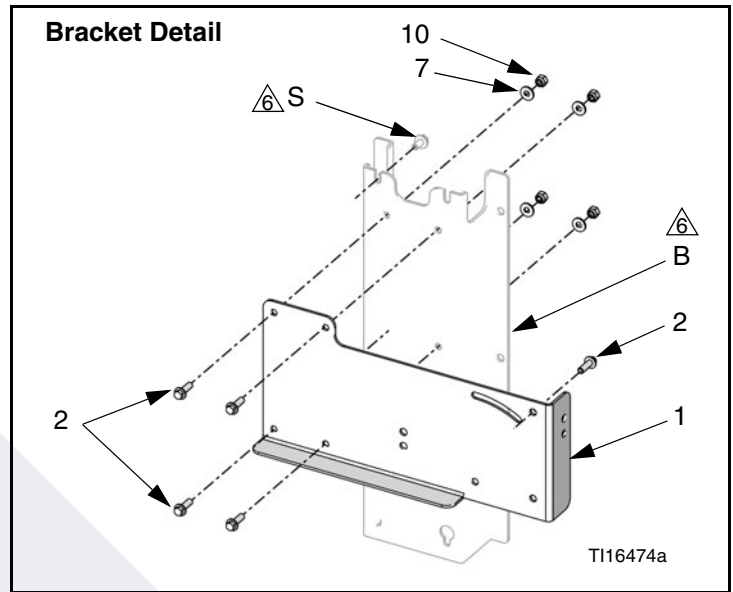


FIG. 4. 24F593 and 24F594 Merkur Bellows Heated Circulation Kit

G25NXT and G45NXT Dura-Flo Pump

G25NXT and G45NXT Kit Parts

Ref.	Part No.	Description	Qty
1	425MSN PUMP, NXT Dura-Flo, wall mount; see 312358 and 311828		1
	445MSN PUMP, NXT Dura-Flo, wall mount; see 312358 and 311828		1
2	503086	NIPPLE, reducing; 1 in. npt x 1/2 npt	1
3	24U609	KIT, fluid filter; see 307273	1

Mounting

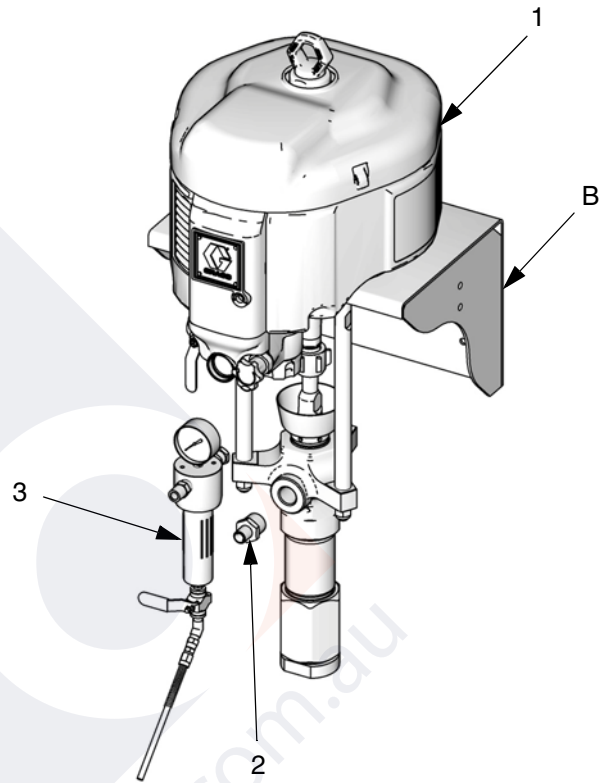
Mount the pump as explained in your separate pump manual, supplied.

Installation

NOTE: Apply pipe sealant to all non-swiveling threads.

1. See FIG. 5. These kits are shipped assembled.
2. Ground the pump as explained in your separate pump manual, supplied.
3. Connect the fluid supply line to the fitting at the fluid filter outlet.
4. See your separate pump manual for pump operation, maintenance, repair, and parts information.

⚠ Apply pipe sealant to all non-swiveling threads.

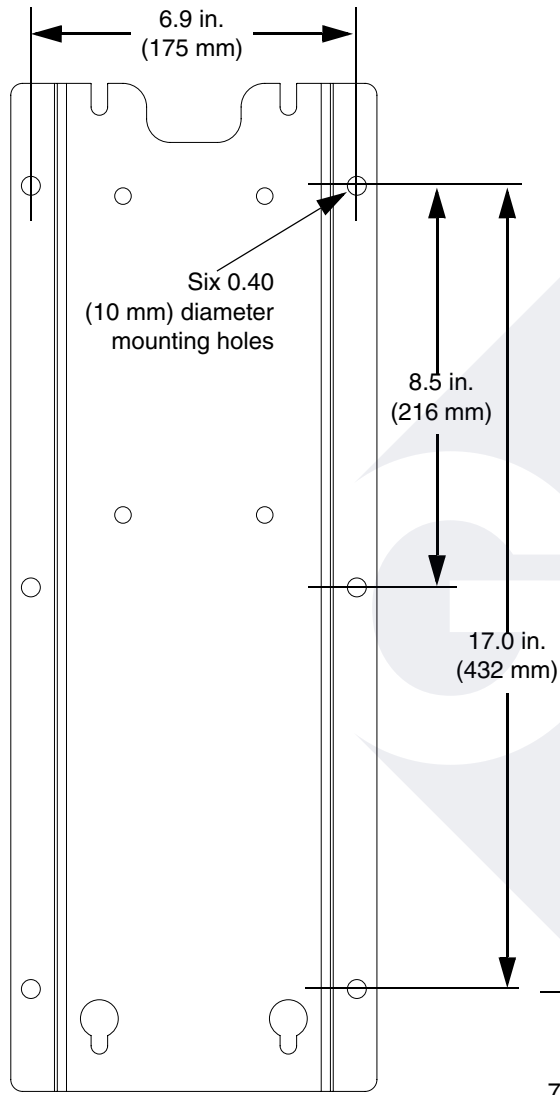


T116406b

FIG. 5. G25NXT and G45NXT Dura-Flo Non-Heated Kits

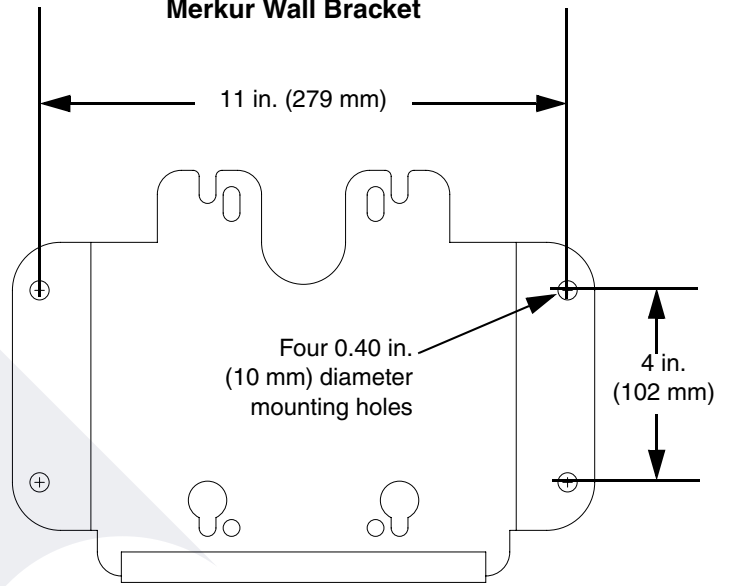
Wall Bracket Mounting Hole Diagrams

Merkur Bellows Wall Bracket



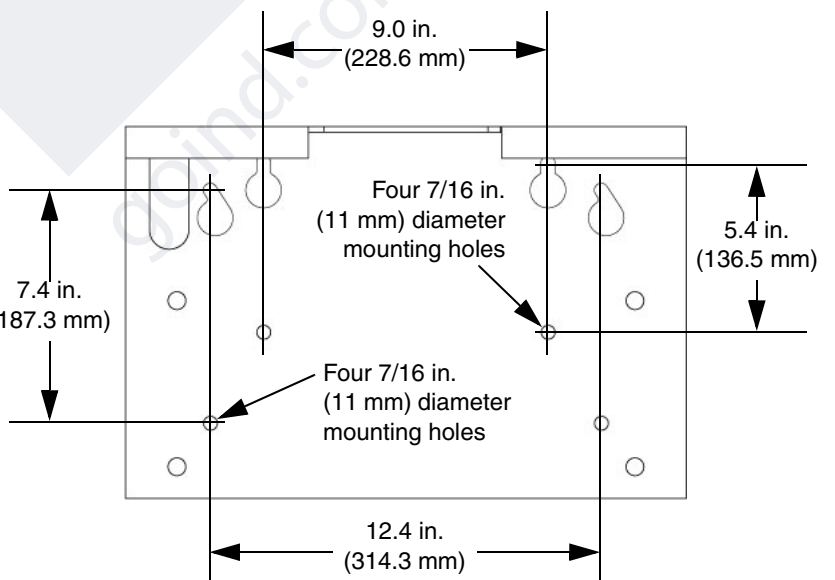
TI15369a

Merkur Wall Bracket



TI12833a

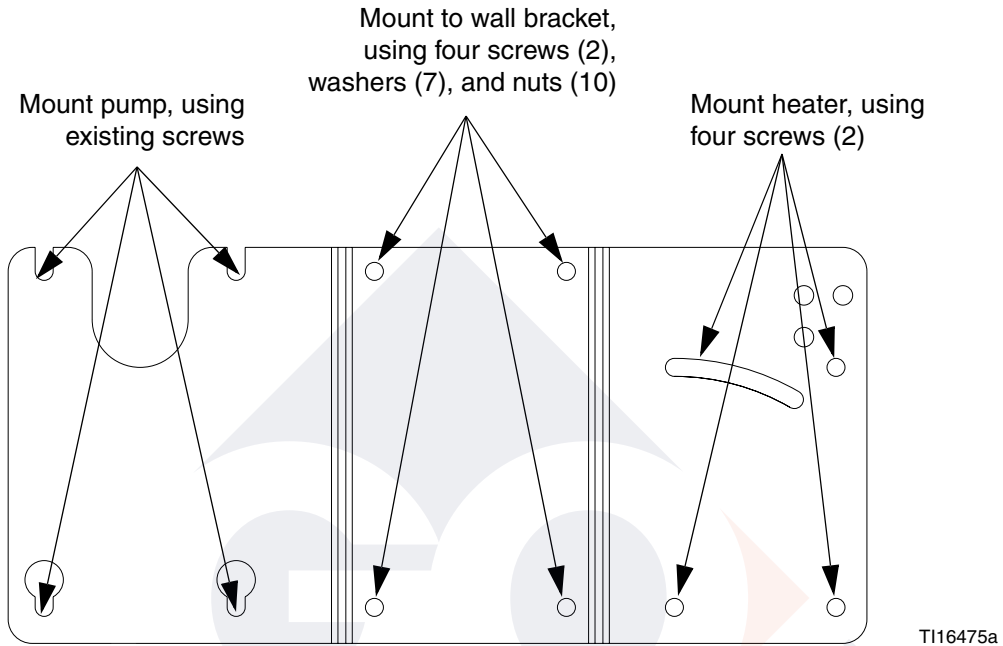
Dura-Flo Wall Bracket



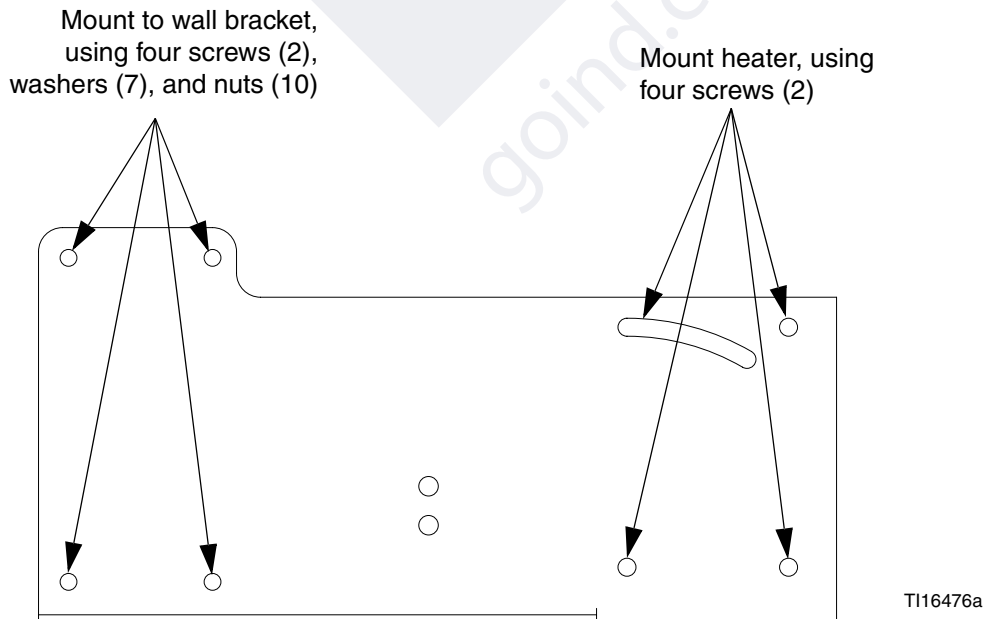
TI8614b

Kit Mounting Bracket Diagrams

Bracket 24A590, for 24F590 and 24F591 Merkur Heated Circulation Kits



Bracket 16F431, for 24F593 and 24F594 Merkur Heated Circulation Kits



Technical Data

Kit Maximum Fluid Working Pressure *Merkur Kits 24F590, 24F591, 24F592, 24F593, 24F594, and 24F595: 4000 psi (28 MPa, 280 bar)*
NOTE: Pump pressure must not exceed this pressure. *G25NXT Kit: 2380 psi (16 MPa, 166 bar)*
G45NXT Kit: 4550 psi (31 MPa, 318 bar)

Wetted Parts *Fittings and hoses: 303, 304, and 316 stainless steel, nylon*
Heater: see manual 309524
Back Pressure Valve: see manual 307892
Fluid Filter: see manual 307273



Graco Standard Warranty

Graco warrants all equipment referenced in this document which is manufactured by Graco and bearing its name to be free from defects in material and workmanship on the date of sale to the original purchaser for use. With the exception of any special, extended, or limited warranty published by Graco, Graco will, for a period of twelve months from the date of sale, repair or replace any part of the equipment determined by Graco to be defective. This warranty applies only when the equipment is installed, operated and maintained in accordance with Graco's written recommendations.

This warranty does not cover, and Graco shall not be liable for general wear and tear, or any malfunction, damage or wear caused by faulty installation, misapplication, abrasion, corrosion, inadequate or improper maintenance, negligence, accident, tampering, or substitution of non-Graco component parts. Nor shall Graco be liable for malfunction, damage or wear caused by the incompatibility of Graco equipment with structures, accessories, equipment or materials not supplied by Graco, or the improper design, manufacture, installation, operation or maintenance of structures, accessories, equipment or materials not supplied by Graco.

This warranty is conditioned upon the prepaid return of the equipment claimed to be defective to an authorized Graco distributor for verification of the claimed defect. If the claimed defect is verified, Graco will repair or replace free of charge any defective parts. The equipment will be returned to the original purchaser transportation prepaid. If inspection of the equipment does not disclose any defect in material or workmanship, repairs will be made at a reasonable charge, which charges may include the costs of parts, labor, and transportation.

THIS WARRANTY IS EXCLUSIVE, AND IS IN LIEU OF ANY OTHER WARRANTIES, EXPRESS OR IMPLIED, INCLUDING BUT NOT LIMITED TO WARRANTY OF MERCHANTABILITY OR WARRANTY OF FITNESS FOR A PARTICULAR PURPOSE.

Graco's sole obligation and buyer's sole remedy for any breach of warranty shall be as set forth above. The buyer agrees that no other remedy (including, but not limited to, incidental or consequential damages for lost profits, lost sales, injury to person or property, or any other incidental or consequential loss) shall be available. Any action for breach of warranty must be brought within two (2) years of the date of sale.

GRACO MAKES NO WARRANTY, AND DISCLAIMS ALL IMPLIED WARRANTIES OF MERCHANTABILITY AND FITNESS FOR A PARTICULAR PURPOSE, IN CONNECTION WITH ACCESSORIES, EQUIPMENT, MATERIALS OR COMPONENTS SOLD BUT NOT MANUFACTURED BY GRACO. These items sold, but not manufactured by Graco (such as electric motors, switches, hose, etc.), are subject to the warranty, if any, of their manufacturer. Graco will provide purchaser with reasonable assistance in making any claim for breach of these warranties.

In no event will Graco be liable for indirect, incidental, special or consequential damages resulting from Graco supplying equipment hereunder, or the furnishing, performance, or use of any products or other goods sold hereto, whether due to a breach of contract, breach of warranty, the negligence of Graco, or otherwise.

FOR GRACO CANADA CUSTOMERS

The Parties acknowledge that they have required that the present document, as well as all documents, notices and legal proceedings entered into, given or instituted pursuant hereto or relating directly or indirectly hereto, be drawn up in English. Les parties reconnaissent avoir convenu que la rédaction du présente document sera en Anglais, ainsi que tous documents, avis et procédures judiciaires exécutés, donnés ou intentés, à la suite de ou en rapport, directement ou indirectement, avec les procédures concernées.

Graco Information

For the latest information about Graco products, visit www.graco.com. For patent information, see www.graco.com/patents.

TO PLACE AN ORDER, contact your Graco distributor or call to identify the nearest distributor.

Phone: 612-623-6921 **or Toll Free:** 1-800-328-0211 **Fax:** 612-378-3505

*All written and visual data contained in this document reflects the latest product information available at the time of publication.
Graco reserves the right to make changes at any time without notice.*

Original instructions. This manual contains English. MM 3A1203

Graco Headquarters: Minneapolis

International Offices: Belgium, China, Japan, Korea

GRACO INC. AND SUBSIDIARIES • P.O. BOX 1441 • MINNEAPOLIS, MN 55440-1441 • USA

Copyright 2011, Graco Inc. All Graco manufacturing locations are registered to ISO 9001.

www.graco.com

Revised October 2013